

6015 SERIES

Straight Line Action Clamps | Product Overview

Features:

- Smallest of the solid base Straight Line Action clamps
- Compact design combined with high holding capacity
- Allow handle to fall below mounting plane to lock in retracted position

Applications:

- Assembly
- Checking fixtures
- Tensioning devices

Also Available:

See page MC-ACC-1 for accessories

Covered under one or more U.S./International Patents

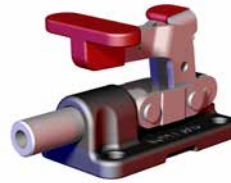
6015
6015-M



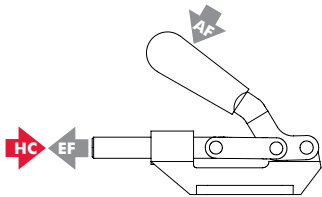
6015-SS,
6015-MSS
Stainless
Steel



6015-R,
6015-MR
with DESTACO®
Toggle Lock
Plus™



Technical Information | Holding Capacities



| Model | Max. Holding Capacity | Weight | EF:AF (pushing/pulling) | Plunger Travel | (M) Plunger Thread | Recommended Spindle (Not Supplied) |
|----------|-----------------------|--------------------|-------------------------|----------------|--------------------|------------------------------------|
| 6015 | [560 lbf] 2500 N | | | | 1/4-20 | 205203 |
| 6015-M | | | | | M6 | 205203-M |
| 6015-SS | [630 lbf] 2800 N | [0.35lb] 0,15kg | 35:1 | [0.70] 17,8 | 1/4-20 | 202943 (supplied) |
| 6015-MSS | | | | | M6 | 202916-M (supplied) |
| 6015-R | [560 lbf] 2500 N | | | | 1/4-20 | 205203 |
| 6015-MR | | | | | M6 | 205203-M |

HC = Holding Capacity, EF = Exerting Force, AF = Applied Force

6015 SERIES

Straight Line Action Clamps | Dimensions | -M/-SS/-MSS/-R/-MR

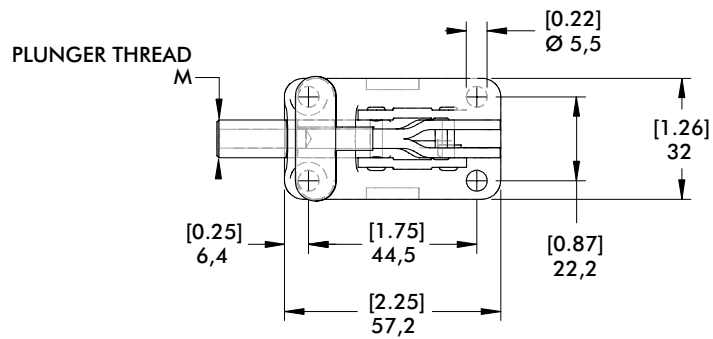
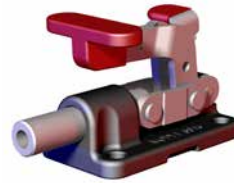
6015
6015-M



6015-SS,
6015-MSS
Stainless
Steel



6015-R,
6015-MR
with DESTACO®
Toggle Lock Plus™



DESTACO®
TOGGLE LOCK
PLUS™ OPTION
6015-R / 6015-MR
(Engages in extended
position only)

