

620 SERIES

Straight Line Action Clamps | Product Overview

Features:

- Reverse handle action
- Plunger locks in the extended position only as the handle is moved downward

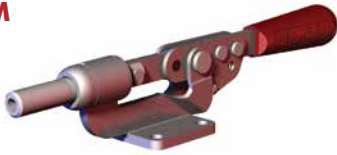
Applications:

- Assembly & test
- Woodworking
- Tensioning devices

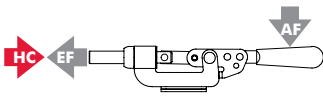
Also Available:

See page MC-ACC-1 for accessories

620
620-M

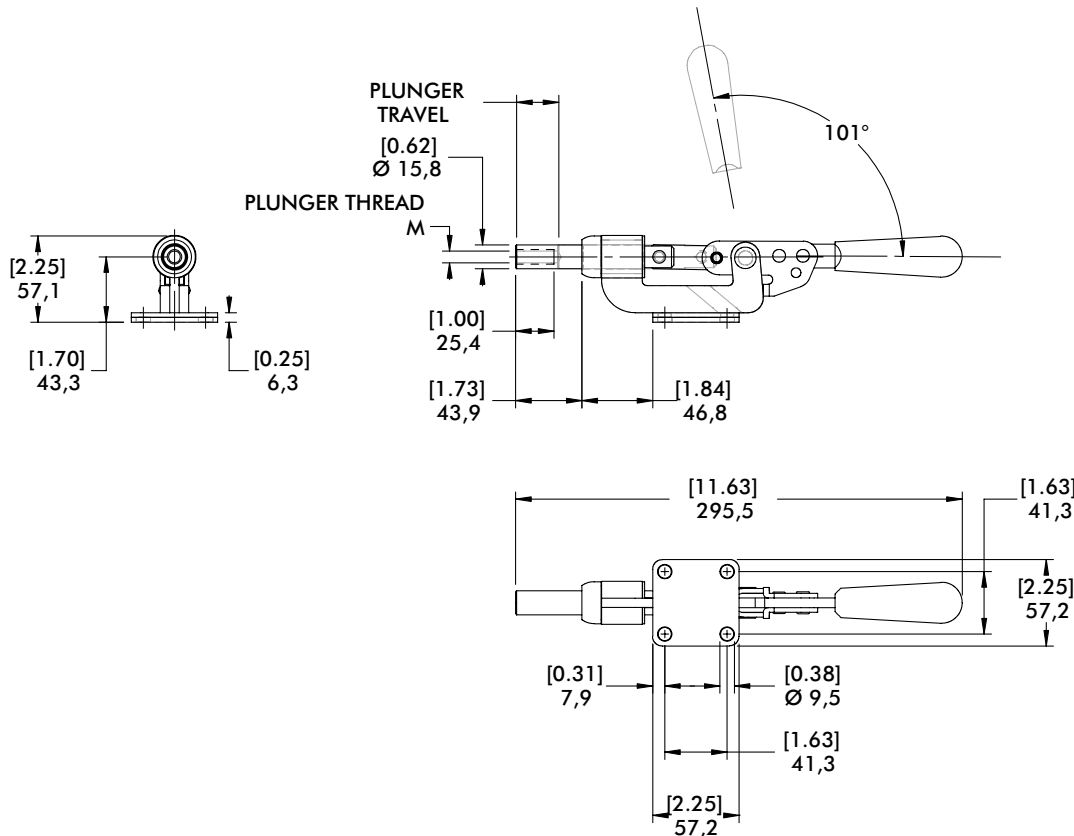


Technical Information | Holding Capacities | Dimensions



Model	Max. Holding Capacity	Weight	EF:AF (pushing/pulling)	Plunger Travel	(M) Plunger Thread	Recommended Spindle (Not Supplied)
620	[600 lbf] 2670 N	[1.50lb] 0,68kg	44:1	[1.11] 28,2	3/8-16	210203
620-M					M10	210203-M

HC = Holding Capacity, EF = Exerting Force, AF = Applied Force



mm [INCH]
THIRD ANGLE PROJECTION