

# RPC SERIES

## 3-Jaw Parallel Grippers | Features and Benefits | How To Order

### Features:

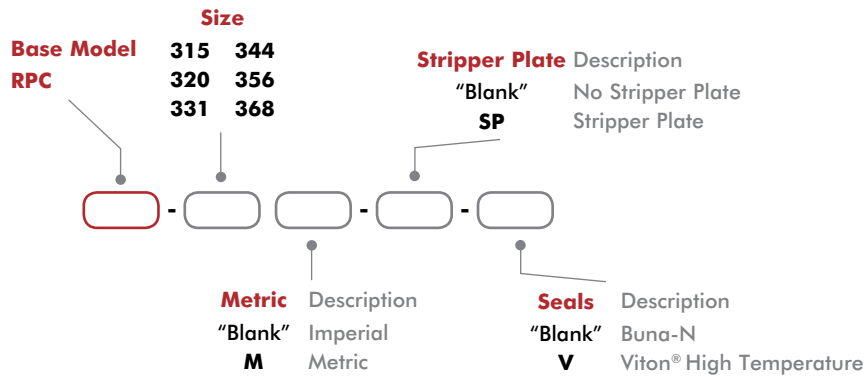
- Self-centering gripper with very high grip force
- Optional stripper plate for part insertion/ejection
- Ideal for gripping small to very large round parts
- Grip force range from 445N to 13345N
- Repeatability of +/-0.03mm

### Applications:

- Part feed/ejection
- Lathe applications
- Large heavy round parts



## How To Order



## Accessories

Sensor Accessories	Model Numbers	Part Number	Qty/Unit
4mm NPN Magneto Resistive Sensor with Quick Disconnect*	All Models	OHSN-017	1-2
4mm PNP Magneto Resistive Sensor with Quick Disconnect*	All Models	OHSP-017	1-2
4mm NPN 90° Magneto Resistive Sensor with Quick Disconnect*	All Models	OHSN-011	1-2
4mm PNP 90° Magneto Resistive Sensor with Quick Disconnect*	All Models	OHSP-011	1-2
Quick Disconnect Cable (2 meters long)*	All Models	CABL-010	1-2
Quick Disconnect Cable (5 meters long)*	All Models	CABL-013	1-2
Fail Safe Valve (Imperial)	315, 320, 331	OFSV-001	1
Fail Safe Valve (Metric)	315, 320, 331	OFSV-004	1
Fail Safe Valve (Imperial)	344, 356, 368	OFSV-002	1
Fail Safe Valve (Metric)	344, 356, 368	OFSV-005	1

\* Sensor and cable sold separately.

## 3-Jaw Parallel Grippers | Technical Specifications

Specifications	Units	315	320	331
Total Rated Grip Force <b>F</b> @ 100 psi [7 bar]*	N [lbs]	445 [100]	1334 [300]	3336 [750]
Total Stroke	mm [in]	7.6 [0.30]	10.2 [0.40]	15.7 [0.62]
Weight	kg [lbs]	0.24 [0.53]	0.45 [1.0]	1.4 [3.0]
Pressure Range	bar [psi]	1.4-7 [20-100]		
Ingress Protection Class (IP)		IP54		
Displacement	cm <sup>3</sup> [in <sup>3</sup> ]	5.2 [0.32]	17.7 [1.08]	52.3 [3.31]
Temperature Range (Buna-N seals)	°C [°F]	-35°~80° [-30°~180°]		
Temperature Range (Viton® seals)	°C [°F]	-30°~150° [-20°~300°]		
Actuation	sec.	0.12	0.18	0.23
Accuracy	mm [in]	±0.05 [±0.002]		
Repeatability	mm [in]	±0.03 [±0.001]		
Valve to Actuate Double Acting		4-way, 2-position		

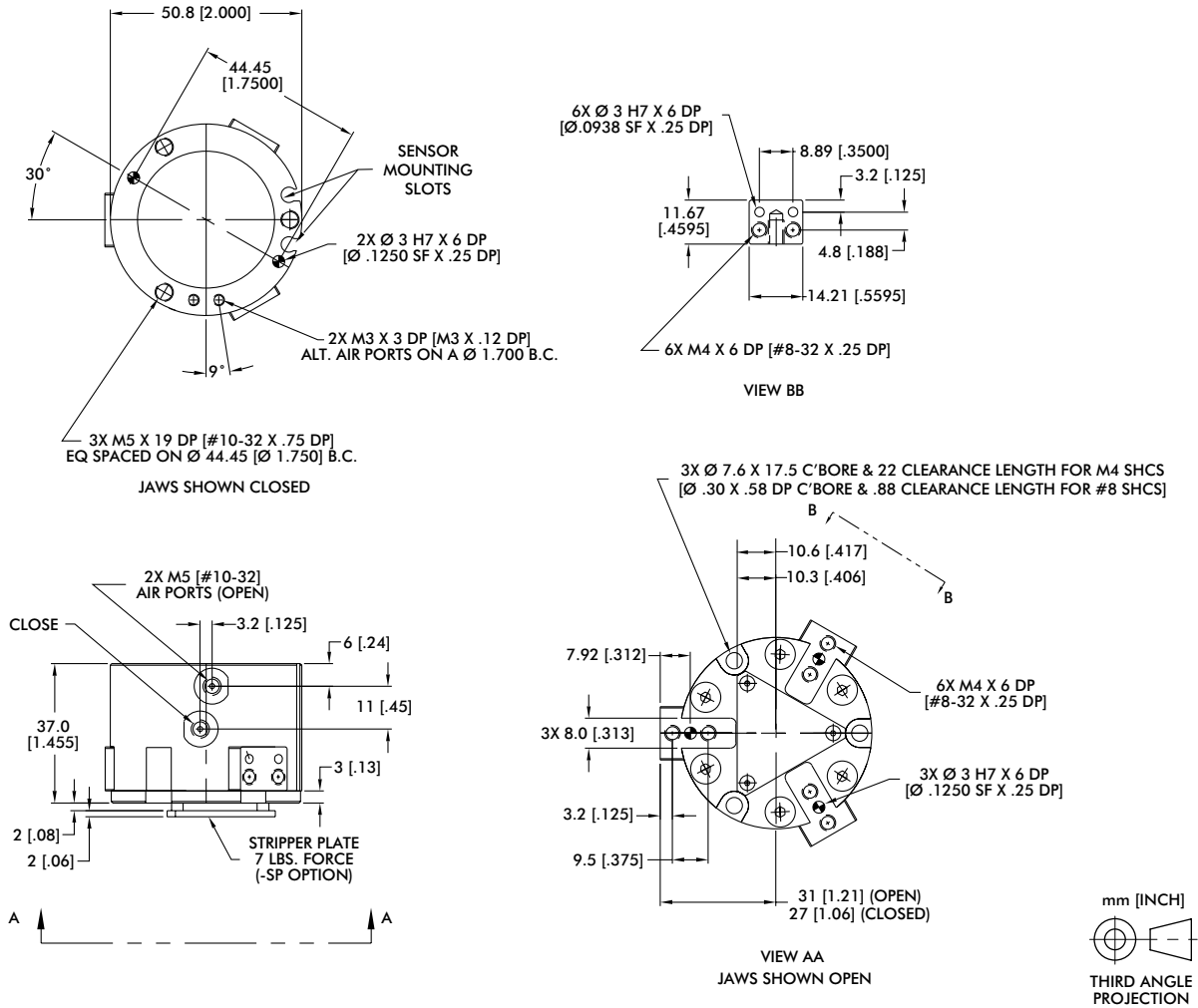
\*With springs

Specifications	Units	344	356	368
Total Rated Grip Force <b>F</b> @ 100 psi [7 bar]*	N [lbs]	4003 [900]	6339 [1425]	13345 [3000]
Total Stroke	mm [in]	22.2 [0.88]	28.4 [1.12]	34.9 [1.38]
Weight	kg [lbs]	2.7 [6.0]	4.4 [9.75]	7.3 [16]
Pressure Range	bar [psi]	1.4-7 [20-100]		
Ingress Protection Class (IP)		IP54		
Displacement	cm <sup>3</sup> [in <sup>3</sup> ]	120 [7.37]	253 [13.46]	424 [25.86]
Temperature Range (Buna-N seals)	°C [°F]	-35°~80° [-30°~180°]		
Temperature Range (Viton® seals)	°C [°F]	-30°~150° [-20°~300°]		
Actuation	sec.	0.47	0.50	0.74
Accuracy	mm [in]	±0.05 [±0.002]		
Repeatability	mm [in]	±0.03 [±0.001]		
Valve to Actuate Double Acting		4-way, 2-position		

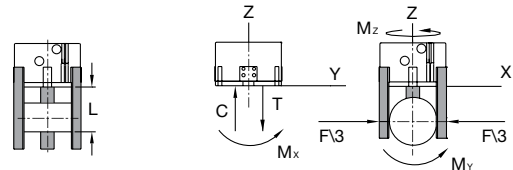
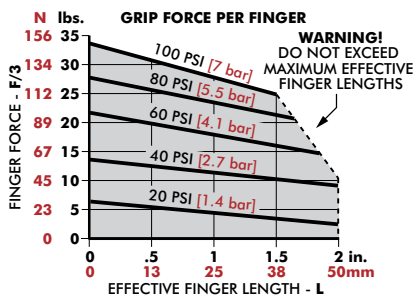
\*With springs

# RPC-315

## 3-Jaw Parallel Grippers | Dimensions and Technical Specifications



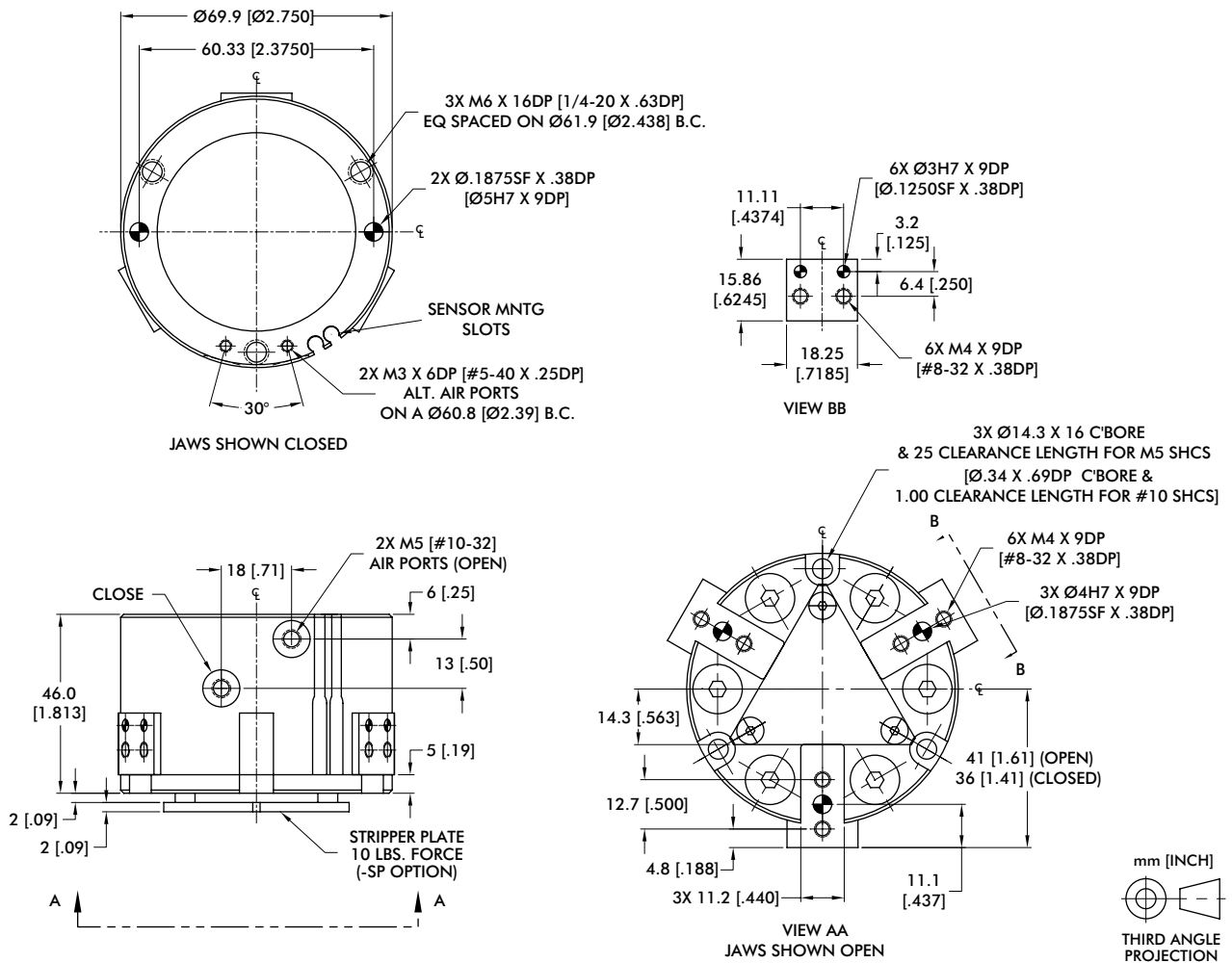
## Loading Information



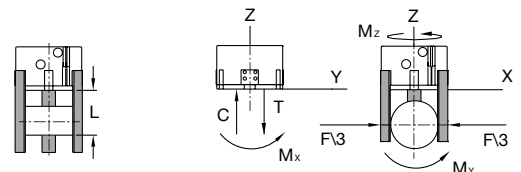
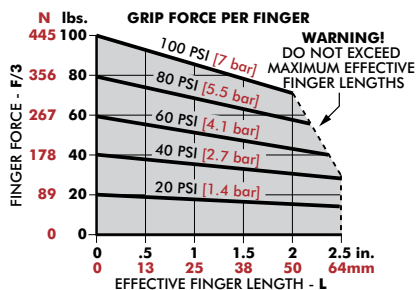
RPC-315	Static	Dynamic
Maximum Tensile <b>T</b>	1334 N [300 lbs]	445 N [100 lbs]
Maximum Compressive <b>C</b>	1334 N [300 lbs]	445 N [100 lbs]
Maximum Moment <b>M<sub>x</sub></b>	28 Nm [250 in-lbs]	8 Nm [75 in-lbs]
Maximum Moment <b>M<sub>y</sub></b>	28 Nm [250 in-lbs]	8 Nm [75 in-lbs]
Maximum Moment <b>M<sub>z</sub></b>	17 Nm [150 in-lbs]	6 Nm [50 in-lbs]

\*Capacities are per set of jaws and are not simultaneous

## 3-Jaw Parallel Grippers | Dimensions and Technical Specifications



## Loading Information

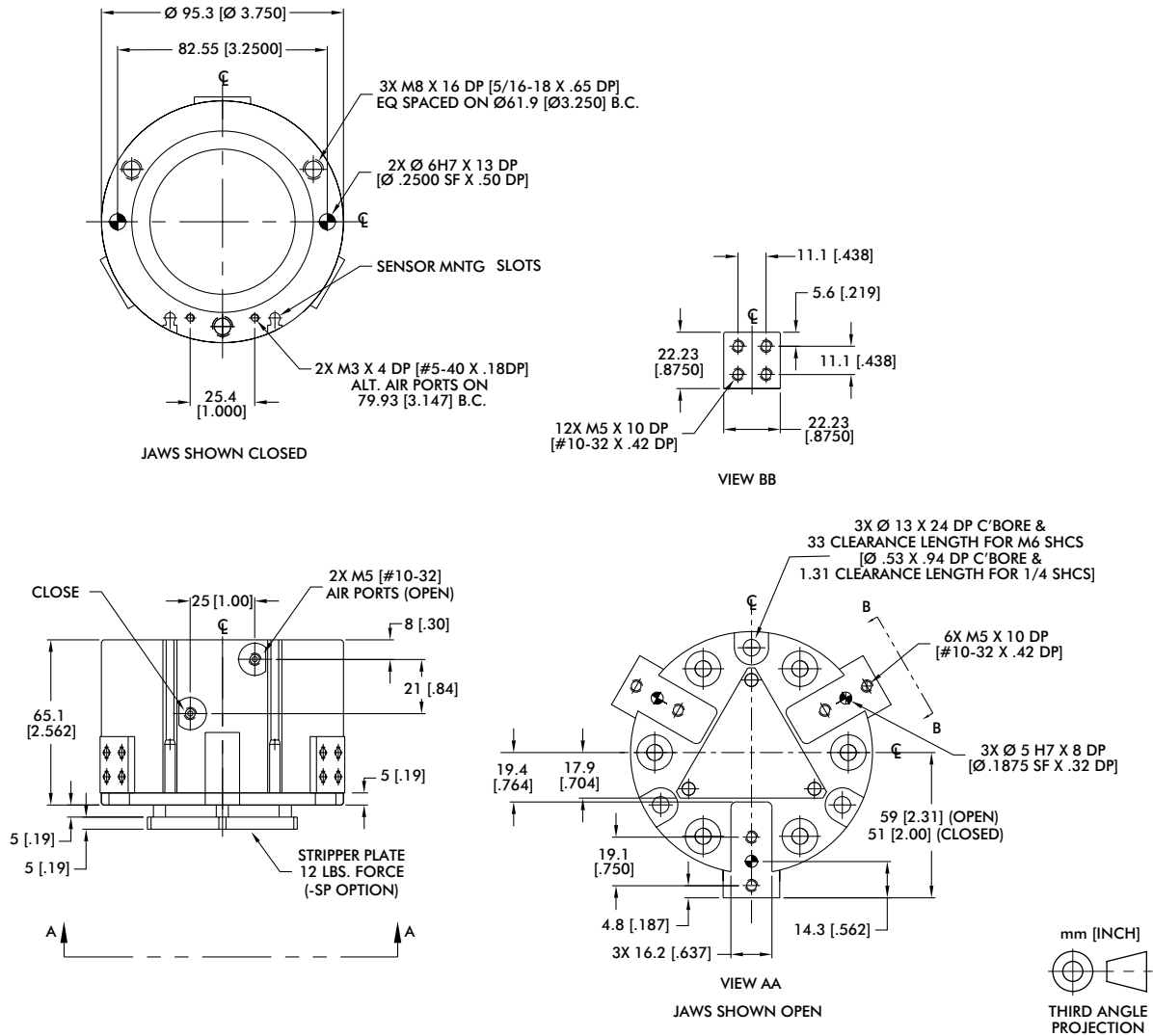


RPC-320	Static	Dynamic
Maximum Tensile <b>T</b>	3336 N [750 lbs]	1112 N [250 lbs]
Maximum Compressive <b>C</b>	3336 N [750 lbs]	1112 N [250 lbs]
Maximum Moment <b>M<sub>x</sub></b>	85 Nm [750 in-lbs]	28 Nm [255 in-lbs]
Maximum Moment <b>M<sub>y</sub></b>	85 Nm [750 in-lbs]	28 Nm [255 in-lbs]
Maximum Moment <b>M<sub>z</sub></b>	40 Nm [350 in-lbs]	11 Nm [100 in-lbs]

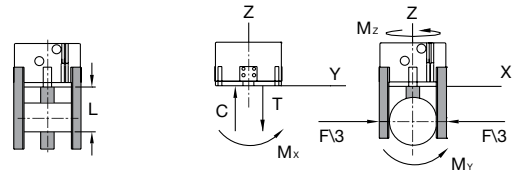
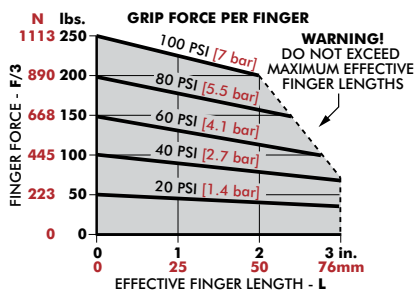
\*Capacities are per set of jaws and are not simultaneous

# RPC-331

## 3-Jaw Parallel Grippers | Dimensions and Technical Specifications



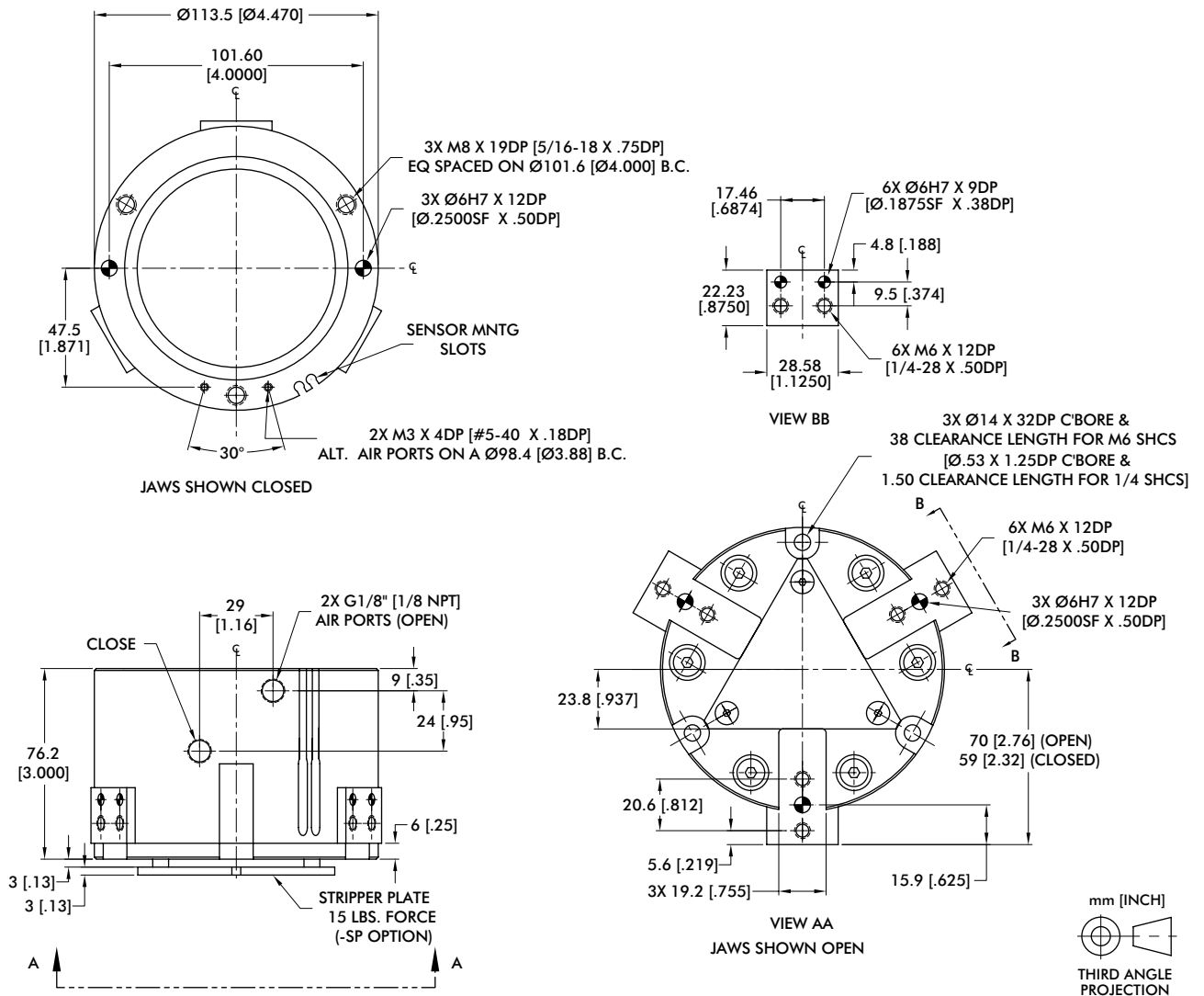
## Loading Information



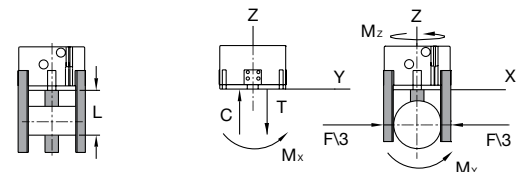
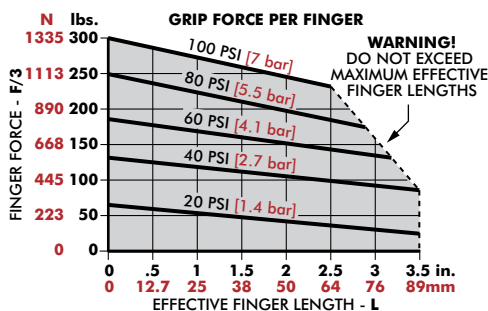
RPC-331	Static	Dynamic
Maximum Tensile <b>T</b>	5560 N [1250 lbs]	1779 N [400 lbs]
Maximum Compressive <b>C</b>	5560 N [1250 lbs]	1779 N [400 lbs]
Maximum Moment <b>M<sub>x</sub></b>	141 Nm [1250 in-lbs]	45 Nm [400 in-lbs]
Maximum Moment <b>M<sub>y</sub></b>	141 Nm [1250 in-lbs]	45 Nm [400 in-lbs]
Maximum Moment <b>M<sub>z</sub></b>	113 Nm [1000 in-lbs]	34 Nm [300 in-lbs]

\*Capacities are per set of jaws and are not simultaneous

## 3-Jaw Parallel Grippers | Dimensions and Technical Specifications



### Loading Information

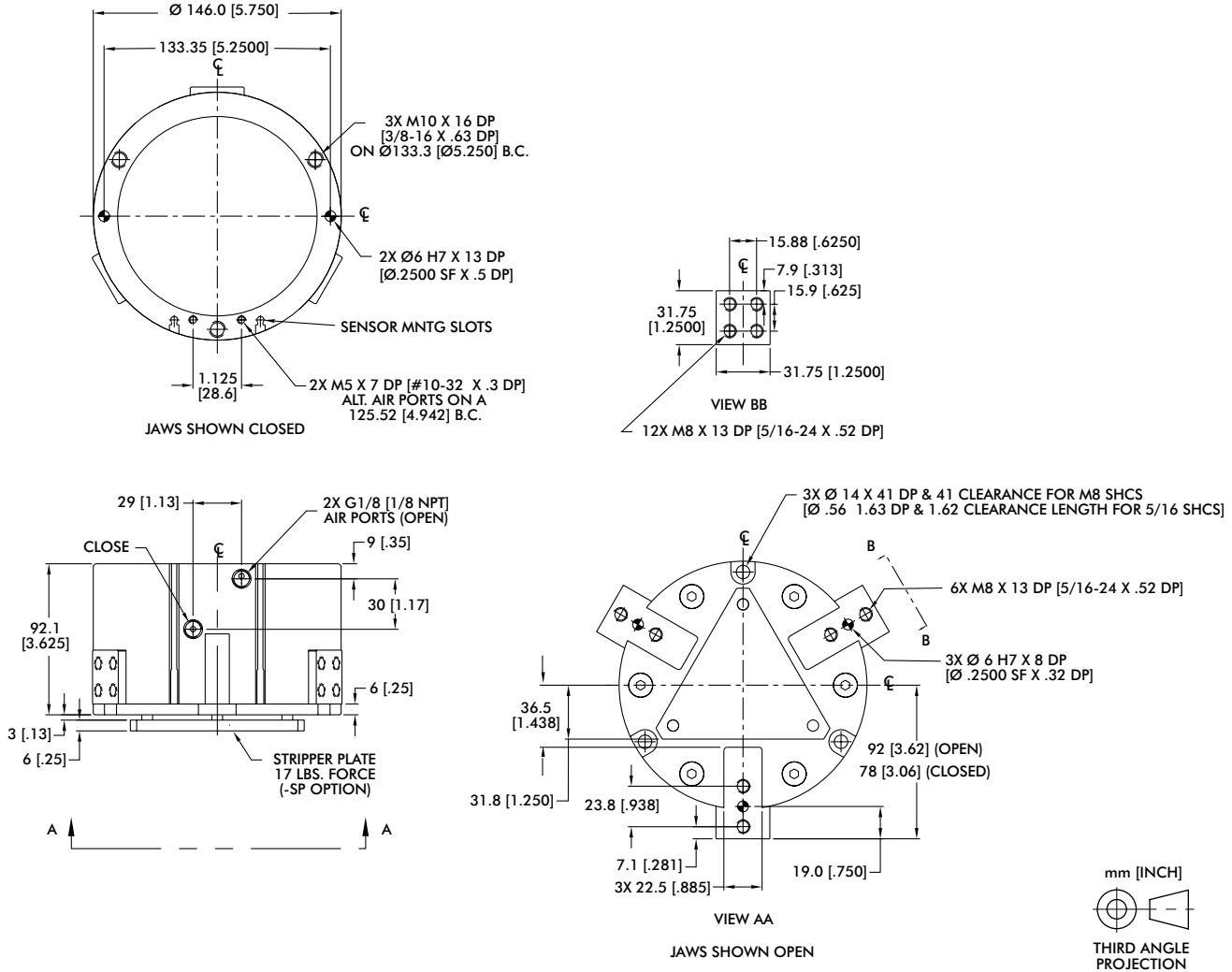


RPC-344	Static	Dynamic
Maximum Tensile <b>T</b>	8896 N [2000 lbs]	3336 N [750 lbs]
Maximum Compressive <b>C</b>	8896 N [2000 lbs]	3336 N [750 lbs]
Maximum Moment <b>M<sub>x</sub></b>	226 Nm [2000 in-lbs]	85 Nm [750 in-lbs]
Maximum Moment <b>M<sub>y</sub></b>	226 Nm [2000 in-lbs]	85 Nm [750 in-lbs]
Maximum Moment <b>M<sub>z</sub></b>	170 Nm [1500 in-lbs]	57 Nm [500 in-lbs]

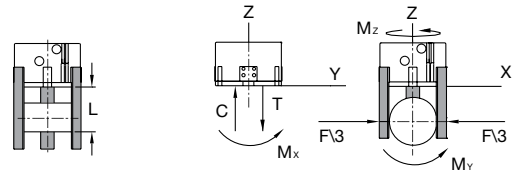
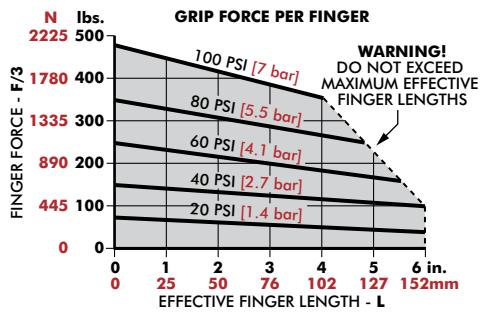
\*Capacities are per set of jaws and are not simultaneous

# RPC-356

## 3-Jaw Parallel Grippers | Dimensions and Technical Specifications



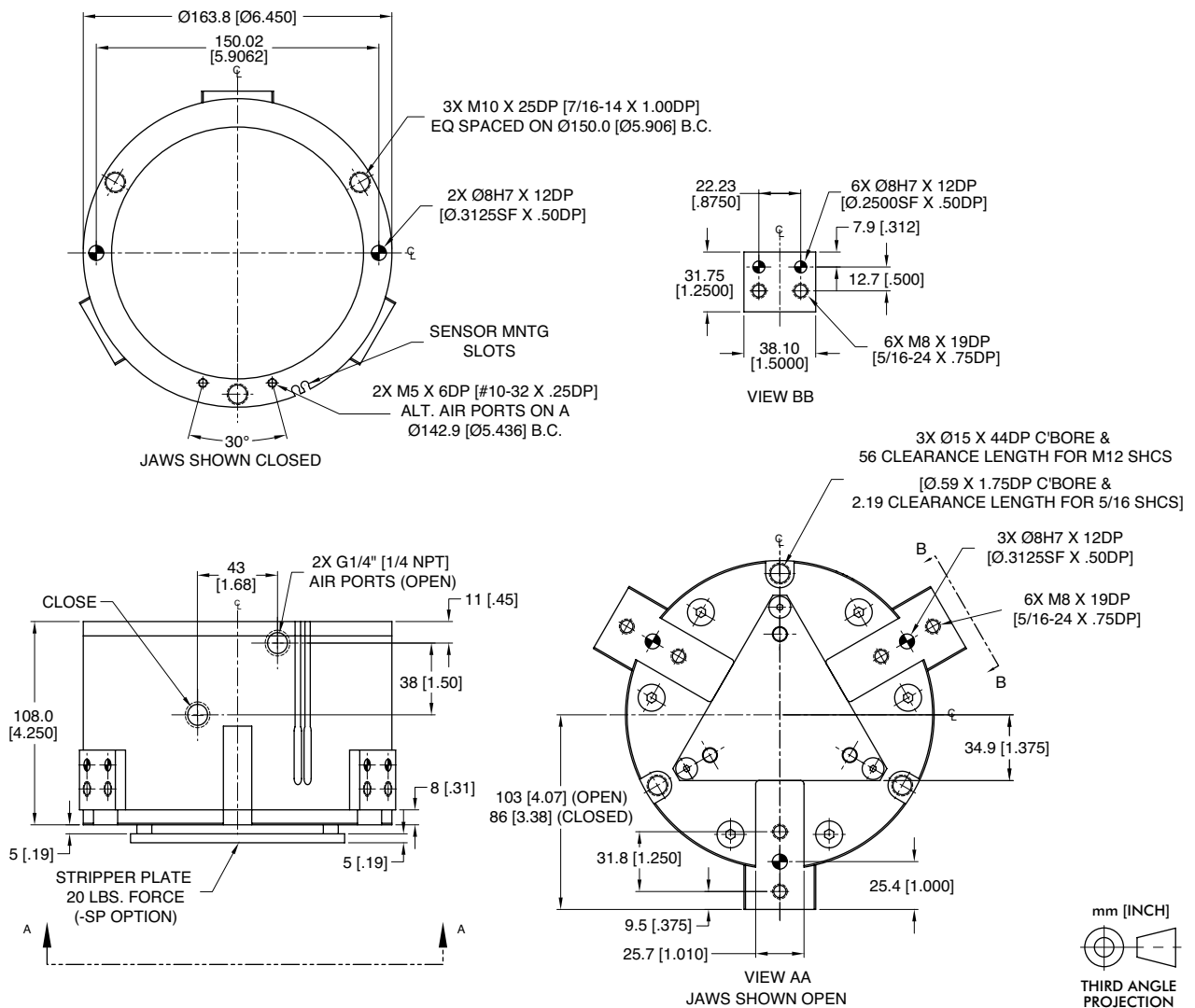
## Loading Information



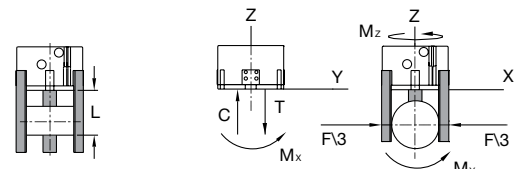
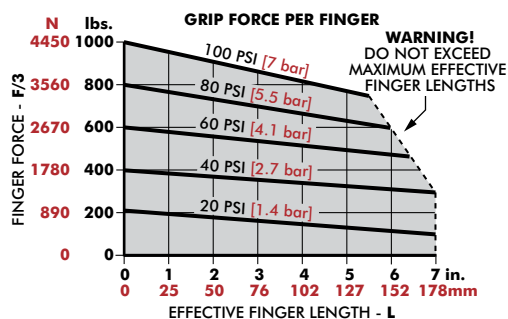
RPC-356	Static	Dynamic
Maximum Tensile <b>T</b>	13445 N [3000 lbs]	4448 N [1000 lbs]
Maximum Compressive <b>C</b>	13445 N [3000 lbs]	4448 N [1000 lbs]
Maximum Moment <b>M<sub>x</sub></b>	452 Nm [4000 in-lbs]	113 Nm [1000 in-lbs]
Maximum Moment <b>M<sub>y</sub></b>	452 Nm [4000 in-lbs]	113 Nm [1000 in-lbs]
Maximum Moment <b>M<sub>z</sub></b>	339 Nm [3000 in-lbs]	85 Nm [750 in-lbs]

\*Capacities are per set of jaws and are not simultaneous

## 3-Jaw Parallel Grippers | Dimensions and Technical Specifications



### Loading Information



RPC-368	Static	Dynamic
Maximum Tensile <b>T</b>	22241 N [5000 lbs]	6672 N [1500 lbs]
Maximum Compressive <b>C</b>	22241 N [5000 lbs]	6672 N [1500 lbs]
Maximum Moment <b>M<sub>x</sub></b>	791 Nm [7000 in-lbs]	170 Nm [1500 in-lbs]
Maximum Moment <b>M<sub>y</sub></b>	791 Nm [7000 in-lbs]	170 Nm [1500 in-lbs]
Maximum Moment <b>M<sub>z</sub></b>	565 Nm [5000 in-lbs]	113 Nm [1000 in-lbs]

\*Capacities are per set of jaws and are not simultaneous