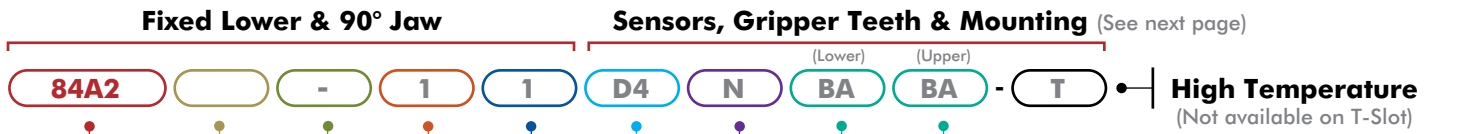


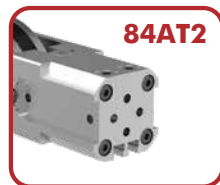
84A2 SERIES (FIXED LOWER JAW)

Cam Type Sheet Metal Grippers | Ordering Information



Body Style Options

- Description
- 84A2 Standard
 - 84AT2 Sensor T-Slot



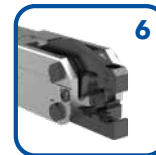
Porting Options

- Description
- 1 (2) M5
 - V (2) G1/8



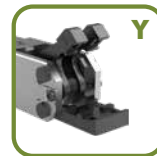
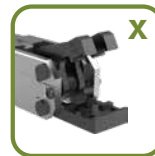
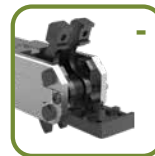
Jaw Arrangement Options

- Description
- Double Upper, Straight Design
 - Double Upper, 90° Design
 - Single Upper, Left, Straight Design
 - Single Upper, Right, Straight Design
 - Single Upper, Right, Straight Design
 - Double Upper, Straight Design, Drop Jaw
 - Double/Single Upper Extended Jaw
 - Double Upper, 45° Offset Design
 - Fixed Upper, Double Lower Jaws, 90° Design:
 - [84A2/84AT2 (-)1/V 9] 45° Jaw Opening Angle Std.
 - [84A2/84AT2 (X)1/V 9] 30° Jaw Opening Angle Std.



Jaw Opening Options

- Description
- 72° Jaw Opening (Std.)
 - X 30° Jaw Opening
 - Y 45° Jaw Opening



Jaw Orientation Options (Option 8 Only)

- Description
- "Blank" Double Jaw
 - L Single Left Jaw
 - R Single Right Jaw



Specifications	Unit	
Piston	mm	25
Actuation Time (open/close)	sec	<0,1
Air Consumption per Double Stroke at 6 bar	L	0,32

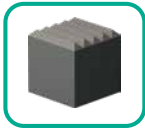
84A2 SERIES (FIXED LOWER JAW)

Cam Type Sheet Metal Grippers | Ordering Information

Gripper Teeth, Points and Crown Options (Upper and Lower)

Steel Teeth

- 00** None
- BA** Hardened - 8JZ-027-1
- BD** Hardened (Upper) - 8JZ-049-1



- BB** Soft Steel - 8JZ-028-1



High Temperature (84A2 Only)

- FF** Soft Steel - 8JZ-085-1



- EE** Soft Steel - 8JZ-092-1



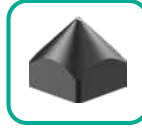
Plastic Teeth*

- 00** None
- KF** 90 Shore - 8JZ-045-2
- *Not suitable for High Temperature applications



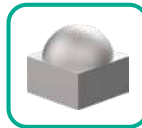
Steel Points

- 00** None
- PH** Hardened - 8JZ-029-1

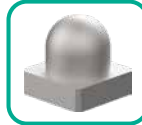


High Temperature (84A2 Only)

- PI** Soft Steel - 8JZ-074-1



- RR** Soft Steel - 8JZ-088-1



Crown Teeth

- 00** None
- SK** Hardened (Lower) - 8JZ-036-2
- SQ** Hardened (Lower) - 8JZ-051-1
- SL** Hardened (Upper) - 8JZ-037-1
- SM** Hardened (Upper) - 8JZ-038-1
- SN** Hardened (Upper) - 8JZ-039-1
- SP** Hardened (Upper) - 8JZ-040-1

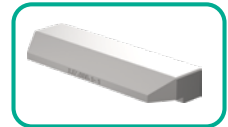


High Temperature (84A2 Only)

- DD** Soft Steel - 8JZ-087-1 (Lower)



- LL** Soft Steel - 8JZ-086-1 (Lower)



Shims for gripper teeth available
Order Separately **8SB-039-1**
Dimensions: 10 x 10 x 1 mm

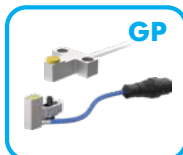
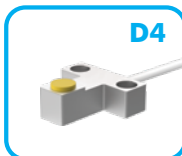


Sensor Options (not suitable for High Temperature applications)

Description

- 00** None
- D4*** Part Present Sensor 3mm Sensing Distance, 2m Cable - 8EA-164-1
- D5** Double Sheet Control Sensor, M12x1 Plug - 8EA-087-1
- D7*** Part Present Sensor, 3mm Sensing Distance, M12x1 Plug - 8EA-165-1
- D8** 2X Position Sensor - 8EA-109-1 (84AT2 Models Only)
- GP*** 1X D4 + 1X D5
- GQ*** 1X D5 + 1X D7
- GK** 2X D5 (not for 84AT2 Models)

*For Jaw Arrangements Options 1, 2, 7, 8, 9 only.



Cable support for **D4** Sensor. Order Separately **8MA-149-1**
Mounted on lower side of gripper (for 84A2-11, 84A2-V1,
84A2-18, 84A2-V8 only) (not for 84AT2 Models)

Cover for Sensing Systems **D5, GP, GQ, GK**
Order Separately **82ZB-185-1**



Mounting Options

Description

- 0** None
- I** Ø20mm Rear Rod
8MA-165-1
- J** Ø25mm Rear Rod
8MA-166-1
- Z** Ø1.00" Rear Rod
8MA-168-1
- L** Ø20mm Apple Core
GT-20M-84A2-L-R
- M** Ø32mm Rear Ball
GT-32B-84A2-L-R
- N** Ø32mm Flanged Ball
GT-32B-84A2-B
- Q** Guards 8MH-054-1
(For Jaw Arrangements
Options 1, 4, 6 only)
- V** Rear Flange
8MA-147-1
- W** On-Body Swivel Ball
82ZB-025-2

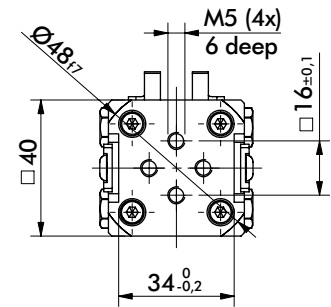
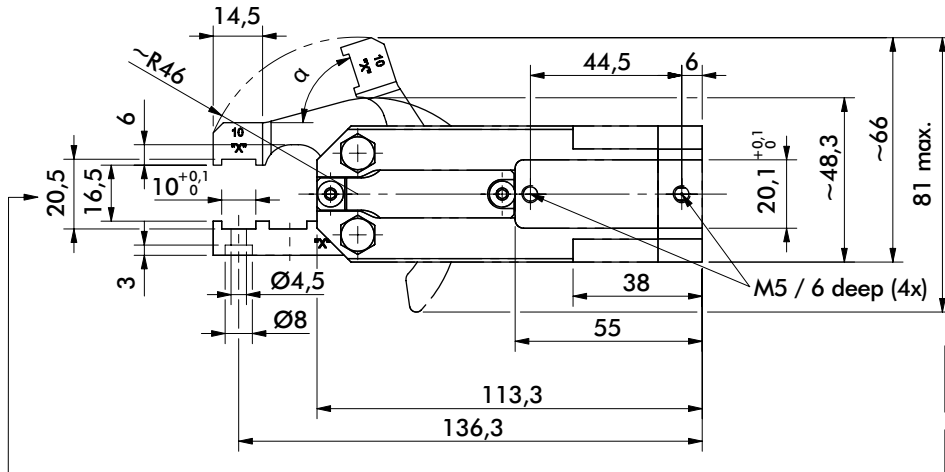
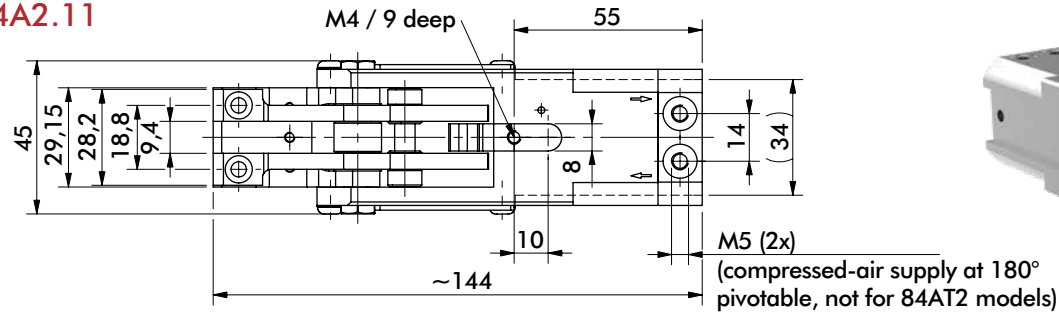


Both Included

84A2..1 SERIES (FIXED LOWER JAW)

Cam Type Sheet Metal Grippers | Dimensions and Technical Specifications

84A2.11

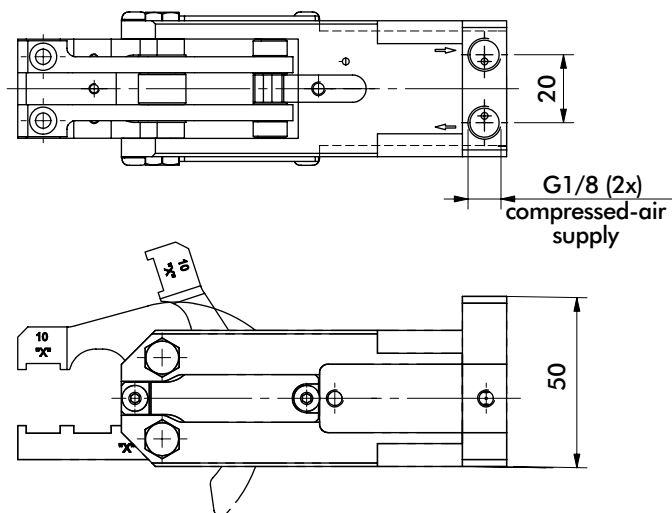


Medium air, min. 3 bar, max. 6 bar.
Operation with oil-free air is permissible.

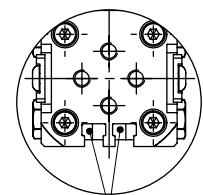
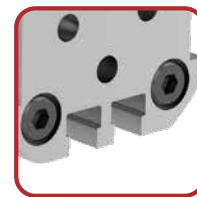
NOTE! Any extension of the moveable or fixed gripper jaws as well as the additional attachment of weights will void warranty.

Addition of gripper teeth height and thickness of the clamped plate must be 20,5 mm. It might be necessary to use shim plates or to grind off the gripper teeth.

84A2.V1



84AT2..1



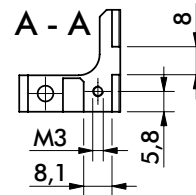
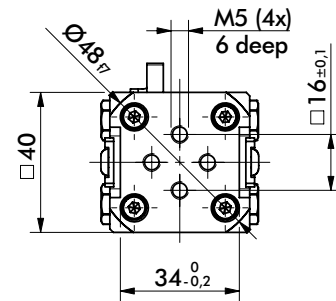
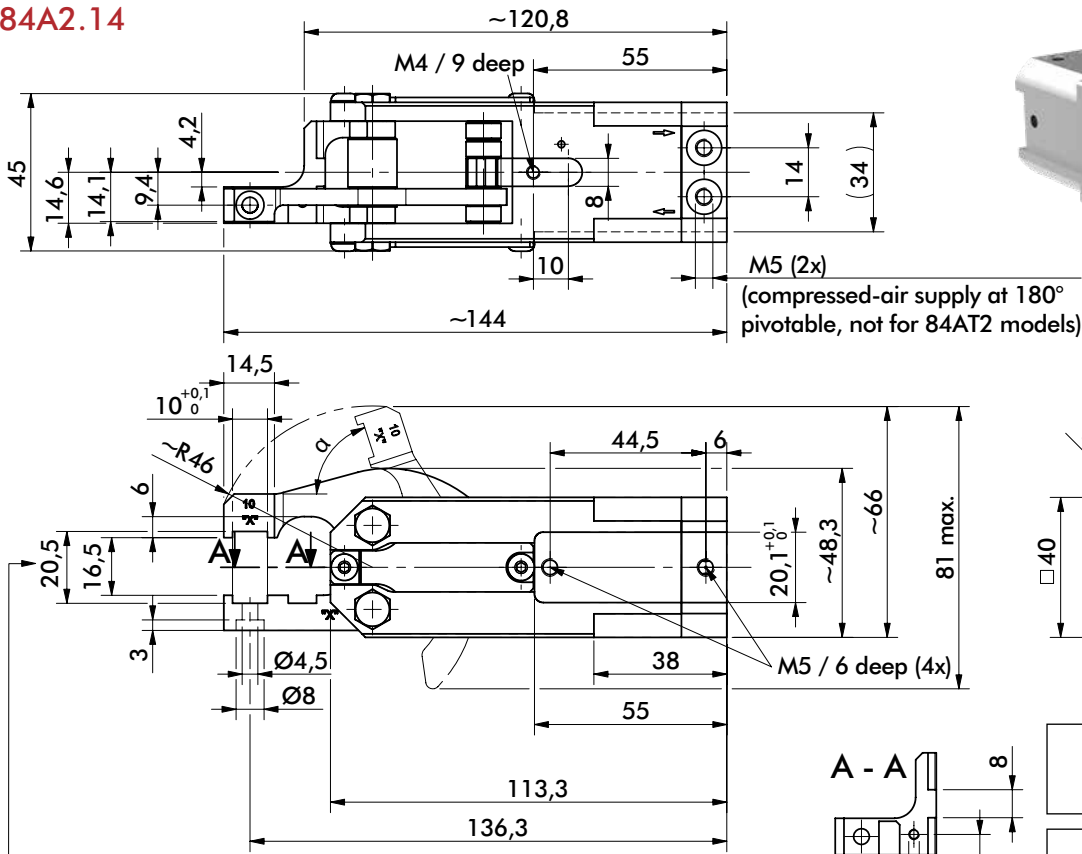
T-groove for sensor

Model 84A2..1/84AT2..1	Opening Angle α	Clamping force at 6 bar ~N [lbs]	Weight Kg [lbs]
-	72°		
X	30°	920 [207]	0,6 [1.32]
Y	45°		

84A2..4 SERIES (FIXED LOWER JAW)

Cam Type Sheet Metal Grippers | Dimensions and Technical Specifications

84A2.14

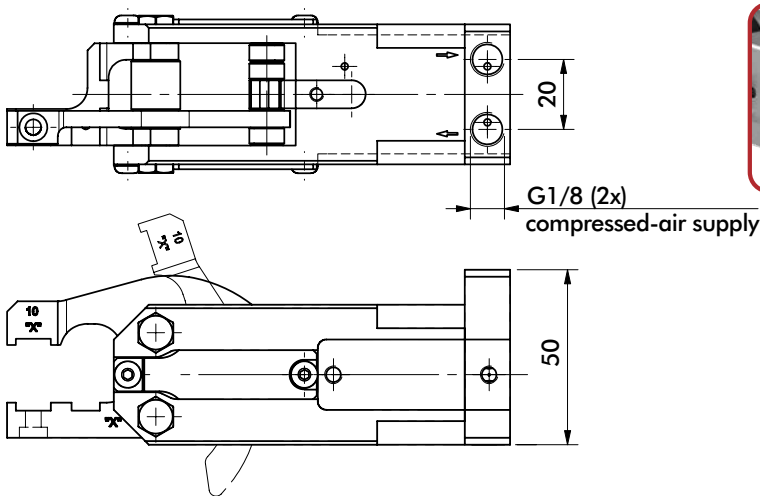


Medium air, min. 3 bar, max. 6 bar. Operation with oil-free air is permissible.

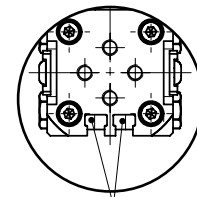
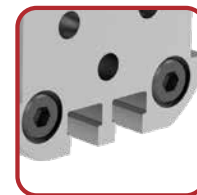
NOTE! Any extension of the moveable or fixed gripper jaws as well as the additional attachment of weights will void warranty.

Addition of gripper teeth height and thickness of the clamped plate must be 20,5 mm. It might be necessary to use shim plates or to grind off the gripper teeth.

84A2.V4



84AT2..4



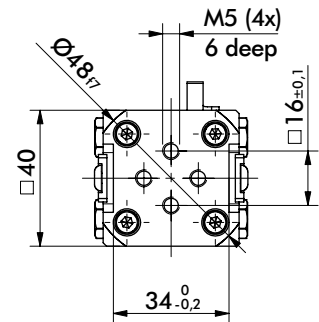
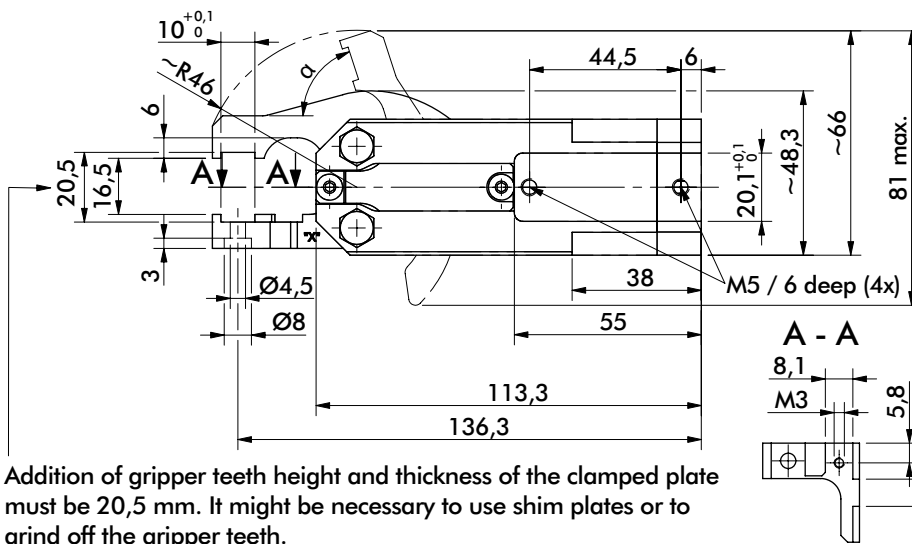
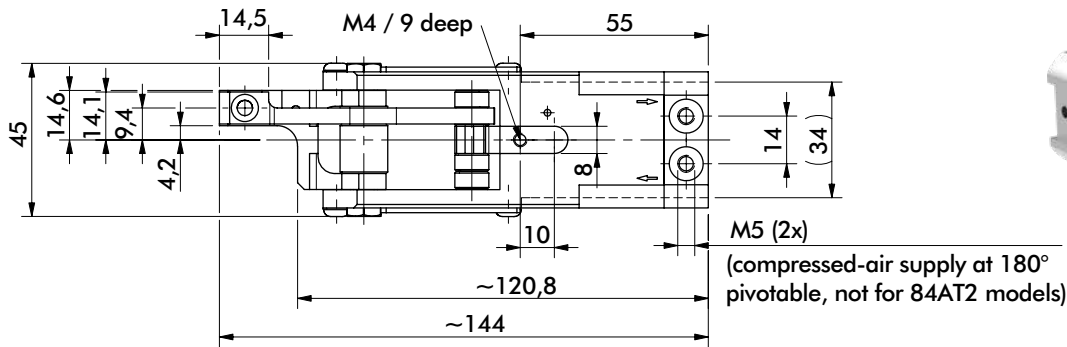
T-groove for sensor

Model	Opening Angle α	Clamping force at 6 bar ~N [lbs]	Weight Kg [lbs]
84A2..4/84AT2..4			
-	72°		
X	30°	920 [207]	0,5 [1.1]
Y	45°		

84A2..6 SERIES (FIXED LOWER JAW)

Cam Type Sheet Metal Grippers | Dimensions and Technical Specifications

84A2.16

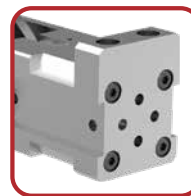
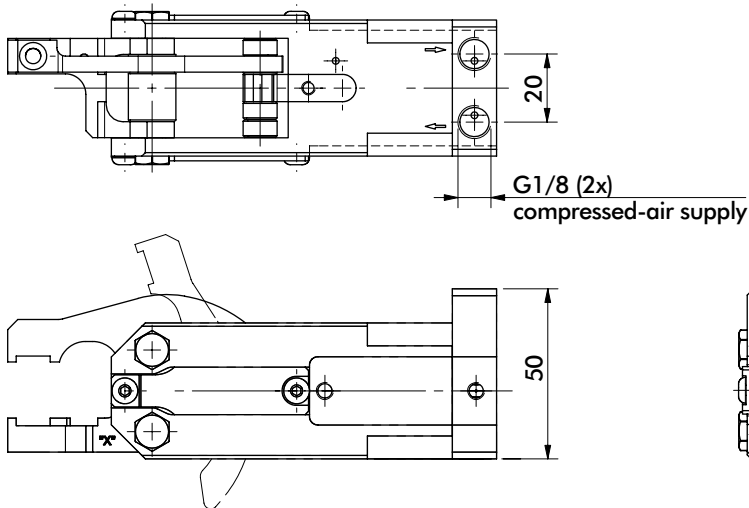


Addition of gripper teeth height and thickness of the clamped plate must be 20,5 mm. It might be necessary to use shim plates or to grind off the gripper teeth.

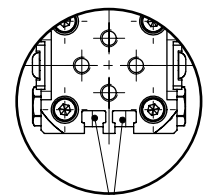
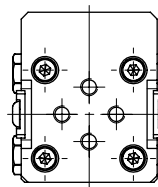
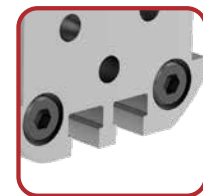
Medium air,
min. 3 bar,
max. 6 bar.
Operation with
oil-free air is
permissible.

NOTE! Any extension
of the moveable or
fixed gripper jaws as
well as the additional
attachment of weights
will void warrantee.

84A2.V6



84AT2..6



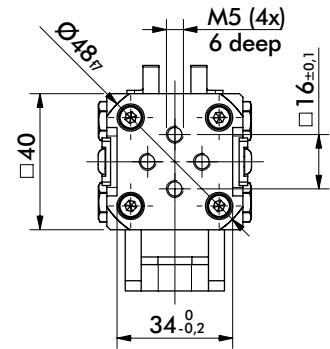
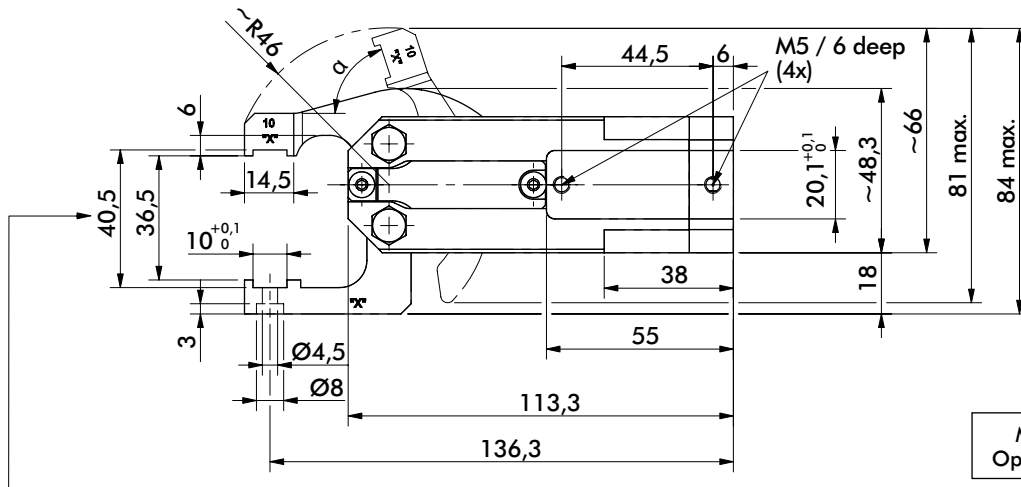
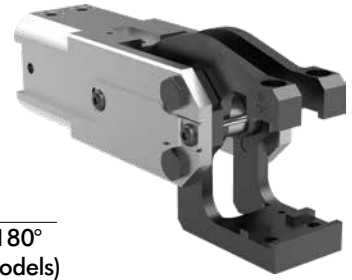
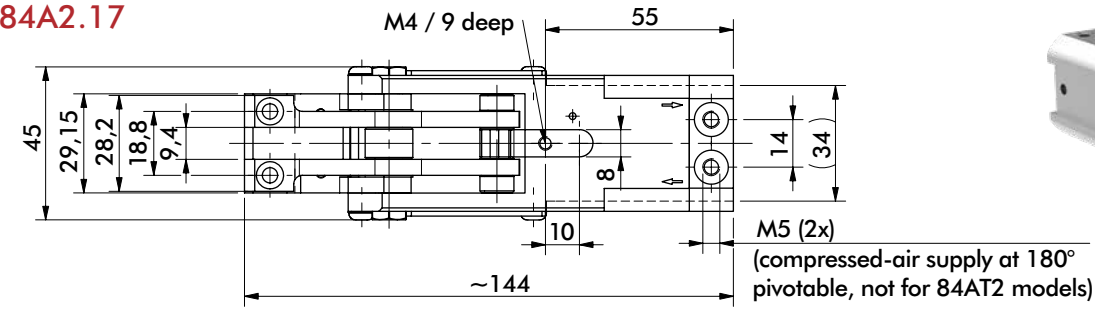
T-groove for sensor

Model 84A2..6/84AT2..6	Opening Angle α	Clamping force at 6 bar ~N [lbs]	Weight Kg [lbs]
-	72°	920 [207]	0,5 [1.1]
X	30°		
Y	45°		

84A2..7 SERIES (FIXED LOWER JAW)

Cam Type Sheet Metal Grippers | Dimensions and Technical Specifications

84A2.17

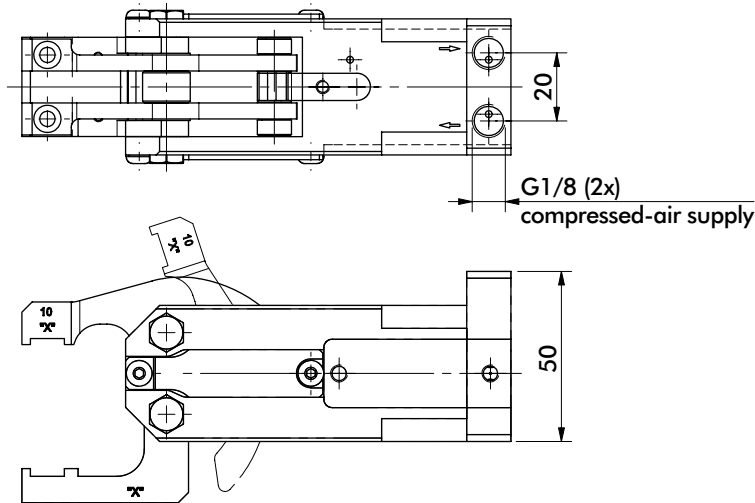


Medium air, min. 3 bar, max. 6 bar.
Operation with oil-free air is permissible.

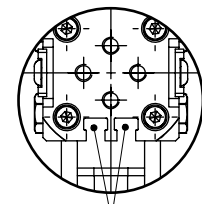
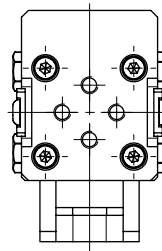
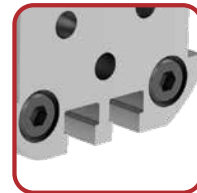
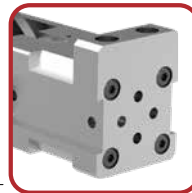
Addition of gripper teeth height and thickness of the clamped plate must be 40,5 mm. It might be necessary to use shim plates or to grind off the gripper teeth.

NOTE! Any extension of the moveable or fixed gripper jaws as well as the additional attachment of weights will void warrantee.

84A2.V7



84AT2..7



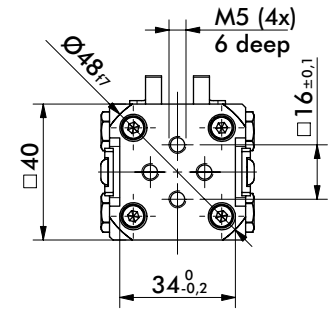
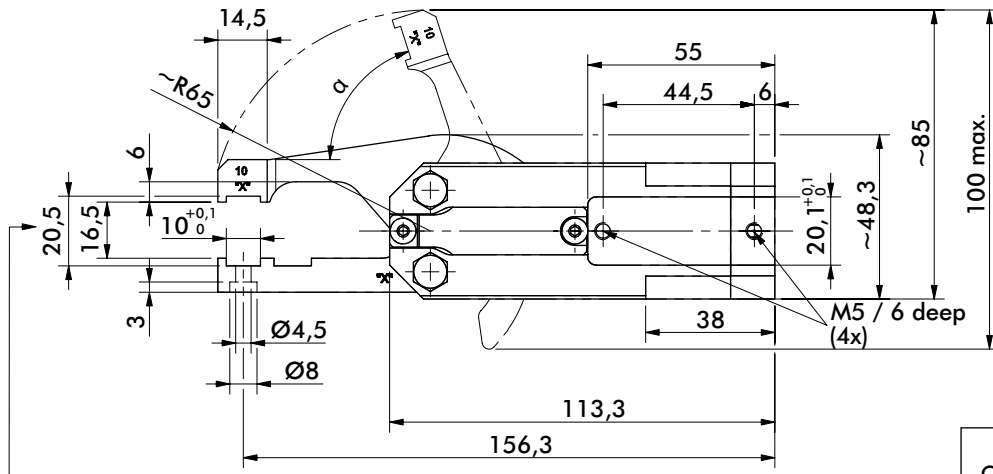
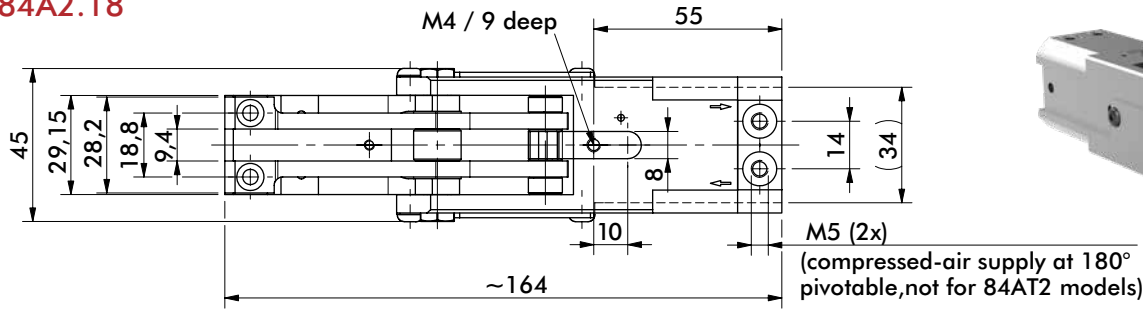
T-groove for sensor

Model 84A2..7/84AT2..7	Opening Angle α	Clamping force at 6 bar ~N [lbs]	Weight Kg [lbs]
-	72°		
X	30°	920 [207]	0,6 [1.32]
Y	45°		

84A2..8 SERIES (FIXED LOWER JAW)

Cam Type Sheet Metal Grippers | Dimensions and Technical Specifications

84A2.18

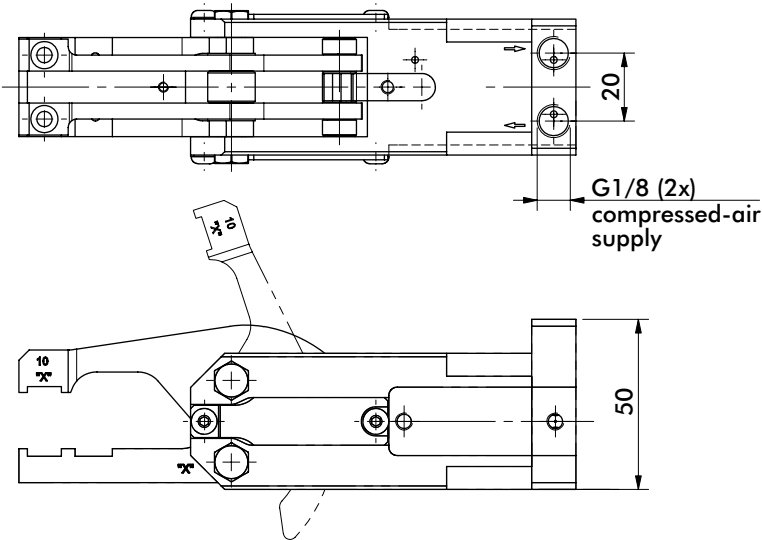


Medium air, min. 3 bar, max. 6 bar.
Operation with oil-free air is permissible.

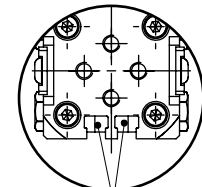
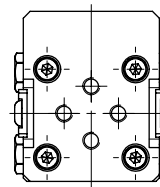
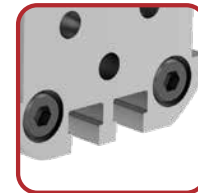
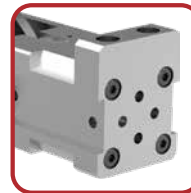
Addition of gripper teeth height and thickness of the clamped plate must be 20,5 mm. It might be necessary to use shim plates or to grind off the gripper teeth.

NOTE! Any extension of the moveable or fixed gripper jaws as well as the additional attachment of weights will void warrantee.

84A2.V8



84AT2..8



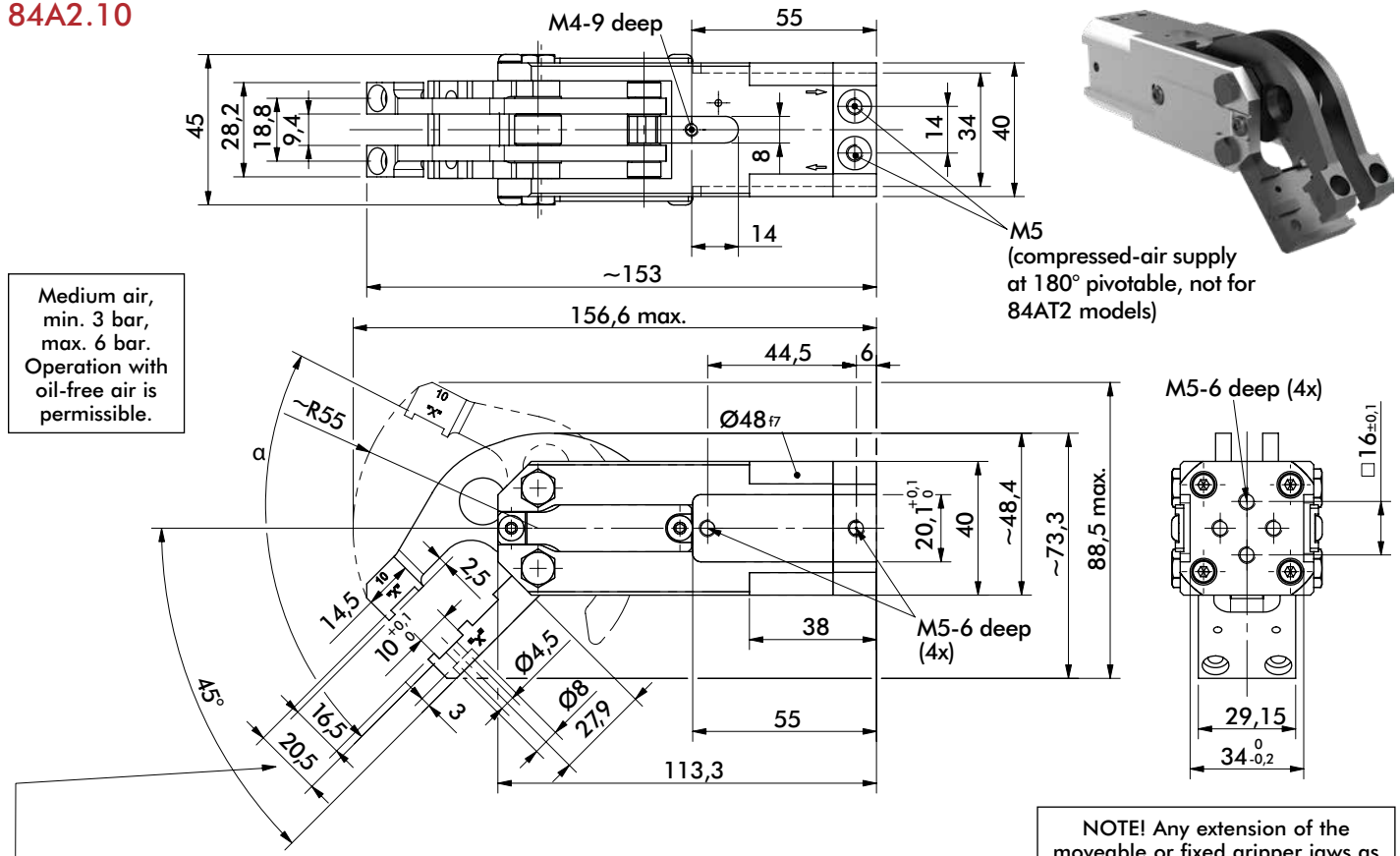
T-groove for sensor

Model 84A2..8/84AT2..8	Opening Angle α	Clamping force at 6 bar ~N [lbs]	Weight Kg [lbs]
-	72°		
X	30°	560 [126]	0,65 [1.43]
Y	45°		

84A2..0 SERIES (FIXED LOWER JAW)

Cam Type Sheet Metal Grippers | Dimensions and Technical Specifications

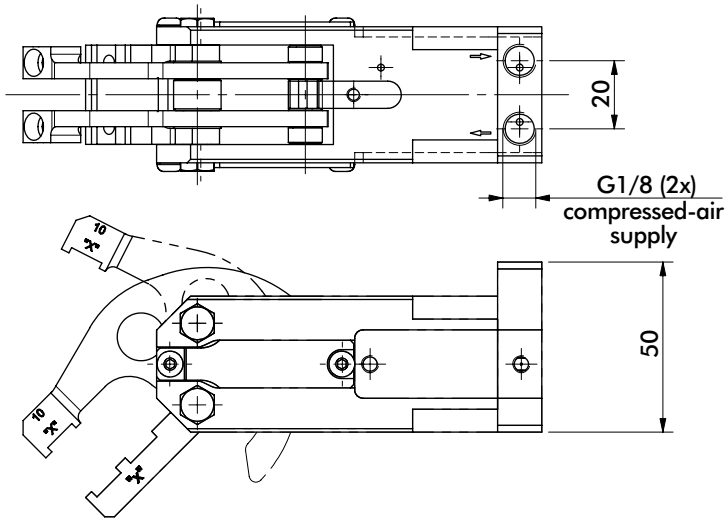
84A2.10



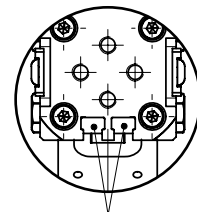
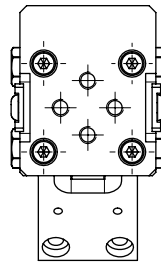
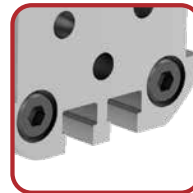
Addition of gripper teeth height and thickness of the clamped plate must be 20,5 mm. It might be necessary to use shim plates or to grind off the gripper teeth.

NOTE! Any extension of the moveable or fixed gripper jaws as well as the additional attachment of weights will void warrantee.

84A2.V0



84AT2..0



T-groove for sensor

Model 84A2..0/84AT2..0	Opening Angle α	Clamping force at 6 bar ~N [lbs]	Weight Kg [lbs]
-	72°		
X	30°	600 [135]	0,65 [1.43]
Y	45°		

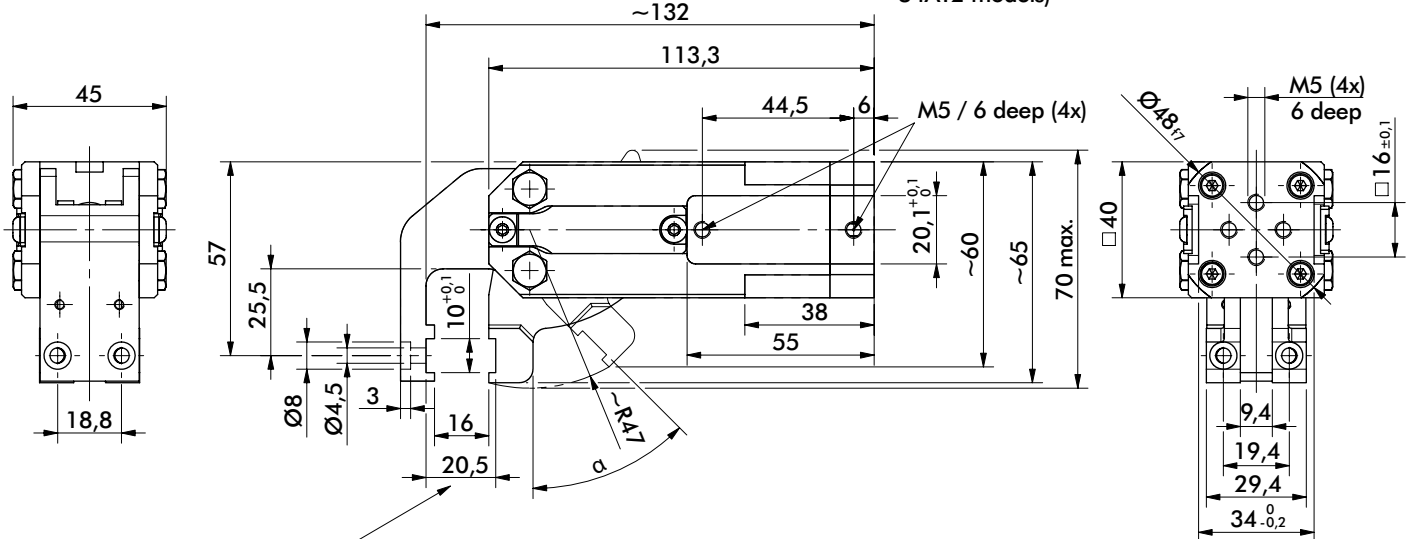
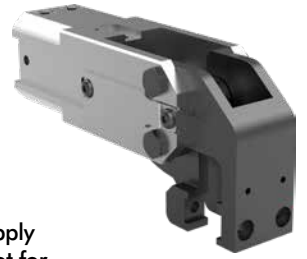
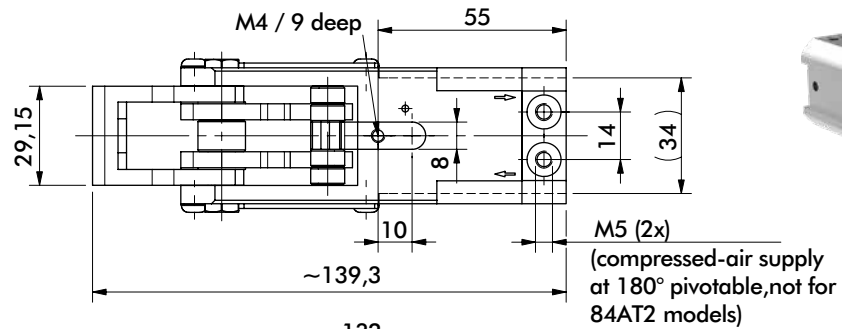
84A2..9 SERIES (FIXED LOWER JAW)

Cam Type Sheet Metal Grippers | Dimensions and Technical Specifications

84A2.19

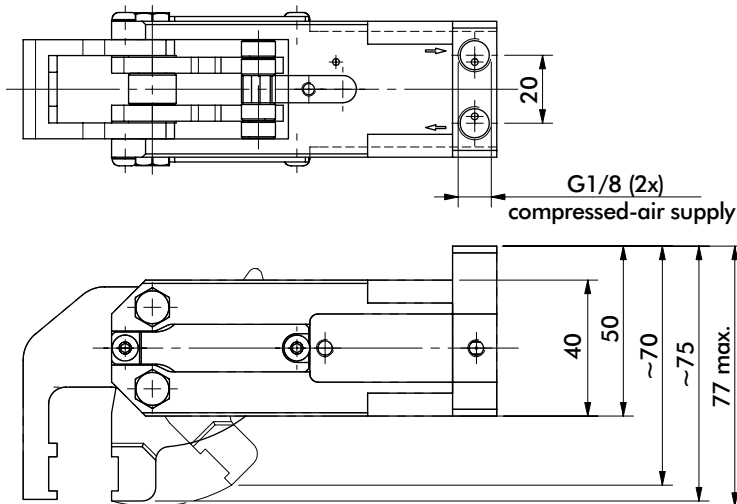
NOTE! Any extension of the moveable or fixed gripper jaws as well as the additional attachment of weights will void warranty.

Medium air, min. 3 bar, max. 6 bar. Operation with oil-free air is permissible.

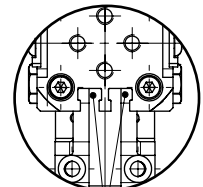
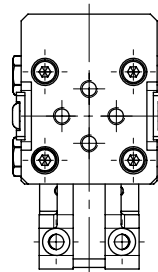
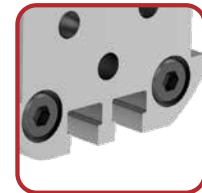


Addition of gripper teeth height and thickness of the clamped plate must be 20,5 mm. It might be necessary to use shim plates or to grind off the gripper teeth.

84A2.V9



84AT2..9

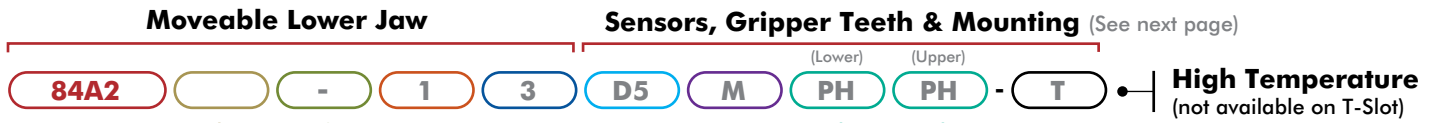


T-groove for sensor

Model	Opening Angle α	Clamping force at 6 bar ~N [lbs]	Weight Kg [lbs]
84A2..9/84AT2..9	45°	860 [193]	0,6 [1.32]
-	30°		
X			

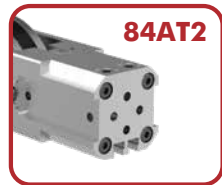
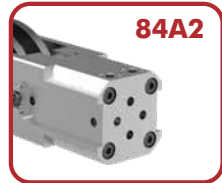
84A2 SERIES (MOVEABLE LOWER JAWS)

Cam Type Sheet Metal Grippers | Ordering Information



Body Style Options

- Description**
84A2 Standard
84AT2 Sensor T-Slot



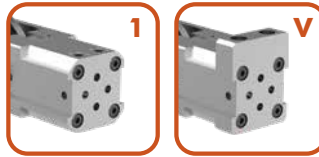
Jaw Orientation Options

- Description**
"Blank" Double (Jaw Arrangement Options 3 only)
L Single Left (Jaw Arrangement Options 5 only)
R Single Right (Jaw Arrangement Options 5 only)



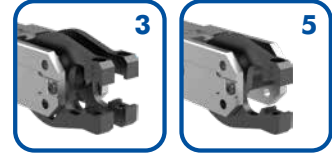
Porting Options

- Description**
1 (2) M5
V (2) G1/8



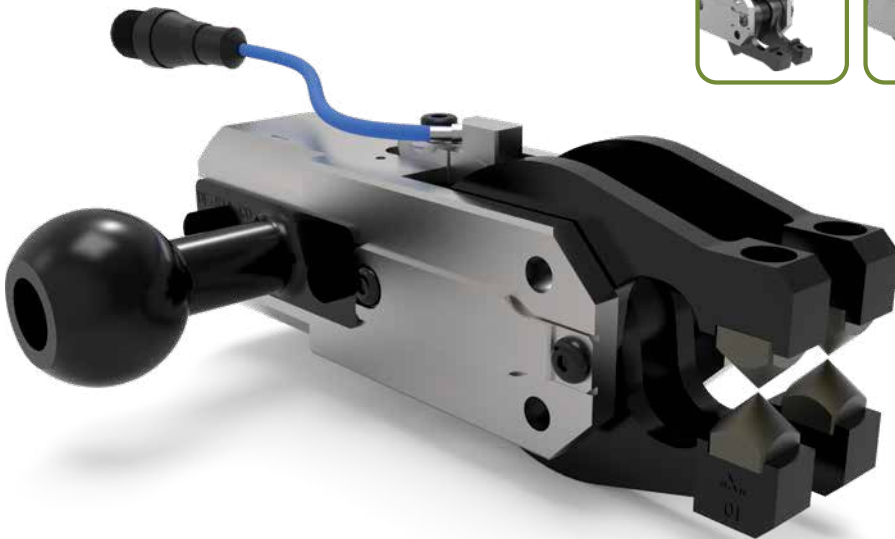
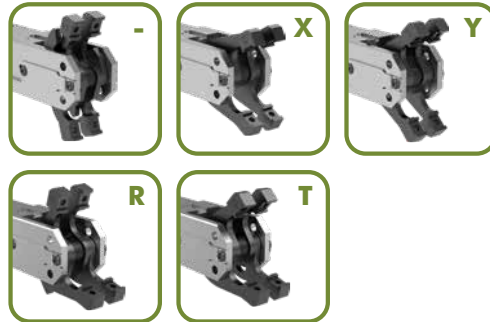
Jaw Arrangement Options

- Description**
3 Double Symmetrical, Straight Design
5 Single Symmetrical, Straight Design



Jaw Opening Options

- Description**
- 72° Jaw Opening (Symmetrical)
X 30° Jaw Opening (Symmetrical)
Y 45° Jaw Opening (Symmetrical)
R 72° Upper/15° Lower Jaw
T 45° Upper/15° Lower Jaw



Specifications	Unit	
Piston	mm	25
Actuation Time (open/close)	sec	<0,1
Air Consumption per Double Stroke at 6 bar	L	0,32

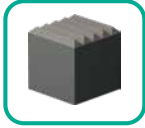
84A2 SERIES (MOVEABLE LOWER JAWS)

Cam Type Sheet Metal Grippers | Ordering Information

Gripper Teeth, Points and Crown Options (Upper and Lower)

Steel Teeth

- 00** None
- BA** Hardened - 8JZ-027-1
- BD** Hardened (Upper) - 8JZ-049-1



- BB** Soft Steel - 8JZ-028-1



High Temperature (84A2 Only)

- FF** Soft Steel - 8JZ-085-1

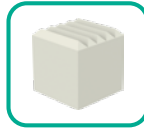


- EE** Soft Steel - 8JZ-092-1



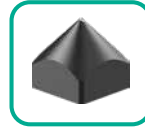
Plastic Teeth*

- 00** None
- KF** 90 Shore - 8JZ-045-2
*Not suitable for High Temperature applications



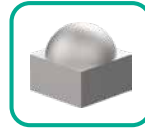
Steel Points

- 00** None
- PH** Hardened - 8JZ-029-1

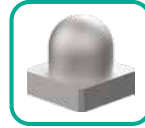


High Temperature (84A2 Only)

- PI** Soft Steel - 8JZ-074-1



- RR** Soft Steel - 8JZ-088-1



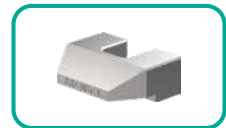
Crown Teeth

- 00** None
- SK** Hardened (Lower) - 8JZ-036-2
- SQ** Hardened (Lower) - 8JZ-051-1
- SL** Hardened (Upper) - 8JZ-037-1
- SM** Hardened (Upper) - 8JZ-038-1
- SN** Hardened (Upper) - 8JZ-039-1
- SP** Hardened (Upper) - 8JZ-040-1

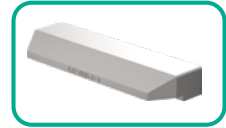


High Temperature (84A2 Only)

- DD** Soft Steel - 8JZ-087-1 (Lower)



- LL** Soft Steel - 8JZ-086-1 (Lower)



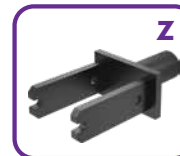
Shims for gripper teeth available
Order Separately - **85B-039-1**
Dimensions: 10 x 10 x 1 mm



Mounting Options

Description

- | | |
|--|---|
| 0 None | M Ø32mm Rear Ball
GT-32B-84A2- L-R |
| I Ø20mm Rear Rod
8MA-165-1 | N Ø32mm Flanged Ball
GT-32B-84A2- B |
| J Ø25mm Rear Rod
8MA-166-1 | V Rear Flange
8MA-147-1 |
| Z Ø1.00" Rear Rod
8MA-168-1 | W On-Body Swivel Ball
82ZB-025-2 |
| L Ø20mm Apple Core
GT-20M-84A2-L-R | |



Sensor Options (not suitable for High Temperature applications)

Description

- 00** None
- D5** Double Sheet Control Sensor, M12x1 Plug - 8EA-087-1
- D8** 2X Position Sensor - 8EA-109-1 (84AT2 Models Only)
- GK** 2X **D5** (not for 84AT2 Models)

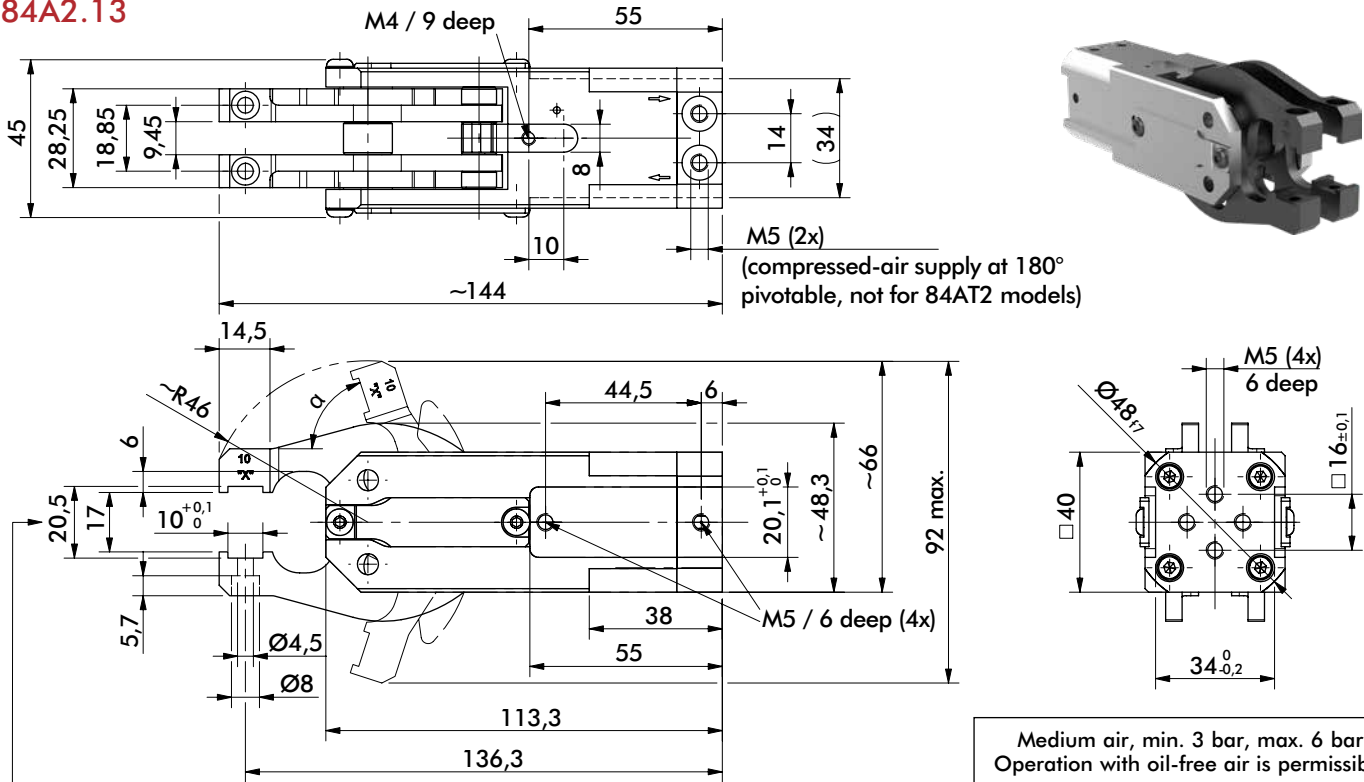


Cover for Sensing Systems **D5, GK**
Order Separately **82ZB-185-1**

84A2..3 SERIES (DOUBLE SYMMETRICAL MOVEABLE JAWS)

Cam Type Sheet Metal Grippers | Dimensions and Technical Specifications

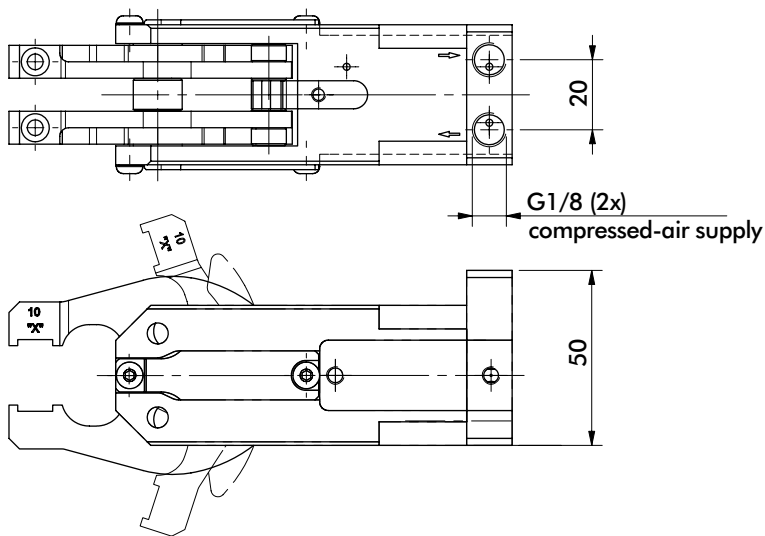
84A2.13



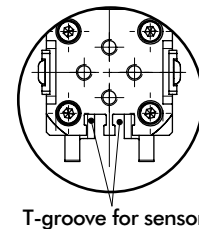
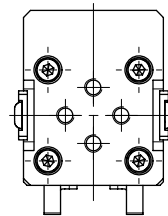
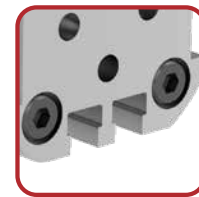
Addition of gripper teeth height and thickness of the clamped plate must be 20,5 mm. It might be necessary to use shim plates or to grind off the gripper teeth.

NOTE! Any extension of the moveable or fixed gripper jaws as well as the additional attachment of weights will void warrantee.

84A2.V3



84AT2..3

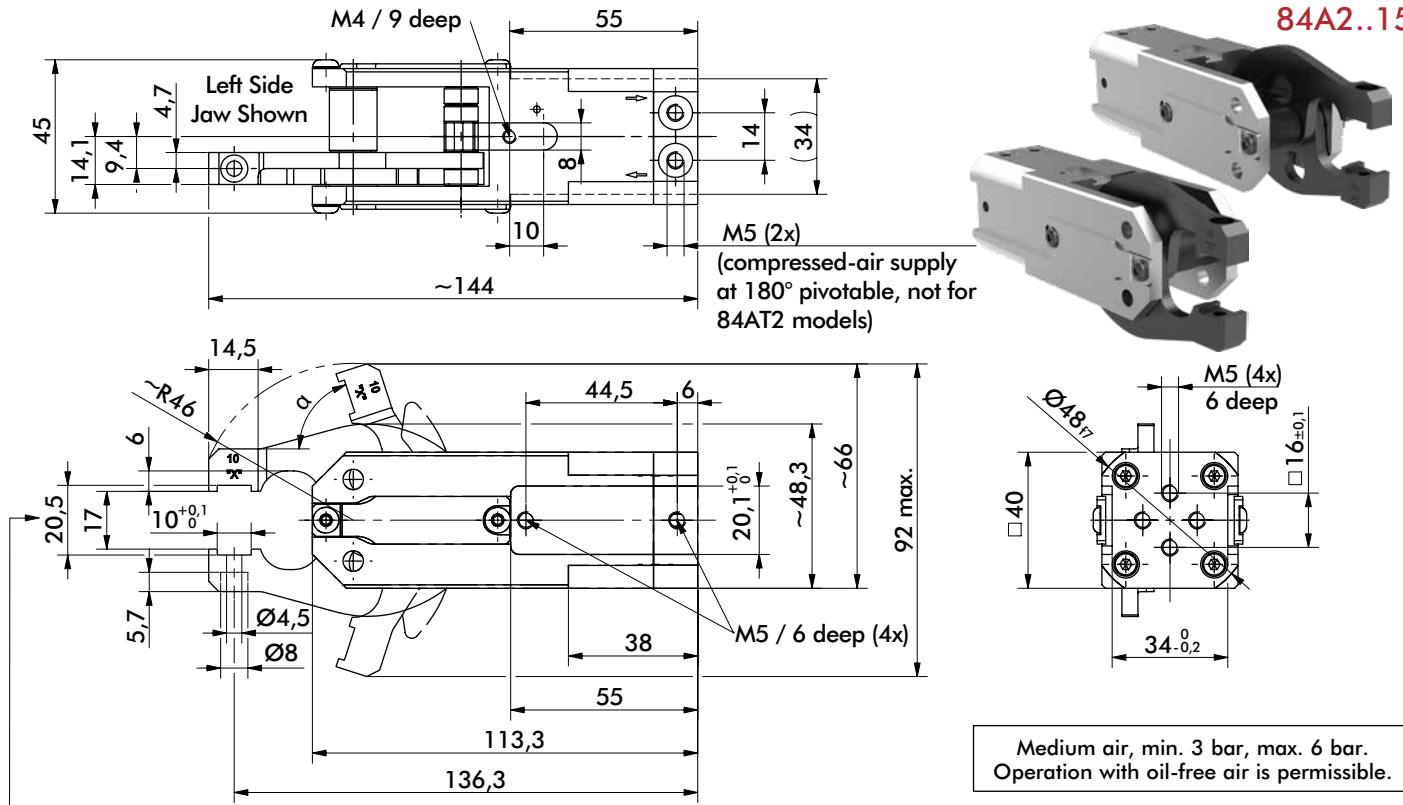


Model 84A2..3/84AT2..3	Opening Angle α Symmetrical	Clamping force at 6 bar ~N [lbs]	Weight Kg [lbs]
-	72°		
X	30°	475 [107]	0,6 [1.32]
Y	45°		

84A2...5 SERIES (SINGLE SYMMETRICAL MOVEABLE JAWS)

Cam Type Sheet Metal Grippers | Dimensions and Technical Specifications

84A2..15

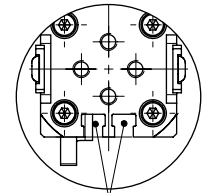
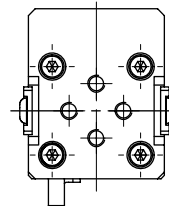
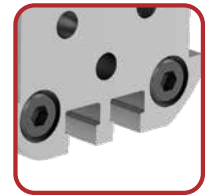
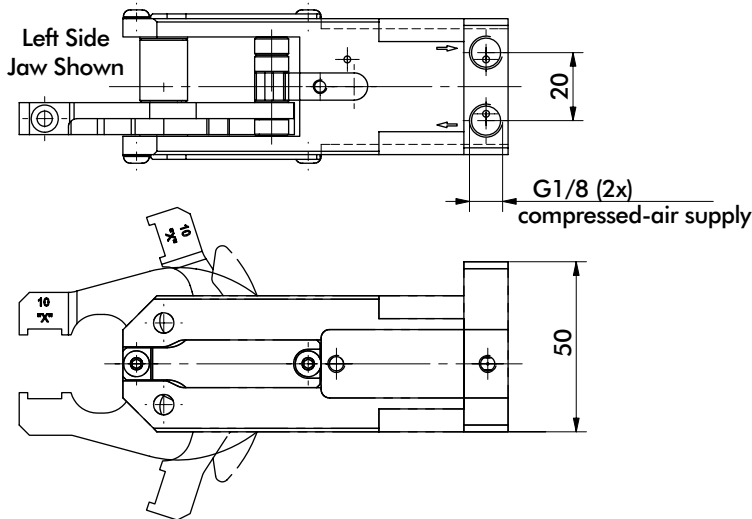


Addition of gripper teeth height and thickness of the clamped plate must be 20,5 mm. It might be necessary to use shim plates or to grind off the gripper teeth.

NOTE! Any extension of the moveable or fixed gripper jaws as well as the additional attachment of weights will void warrantee.

84A2..V5

84AT2...5



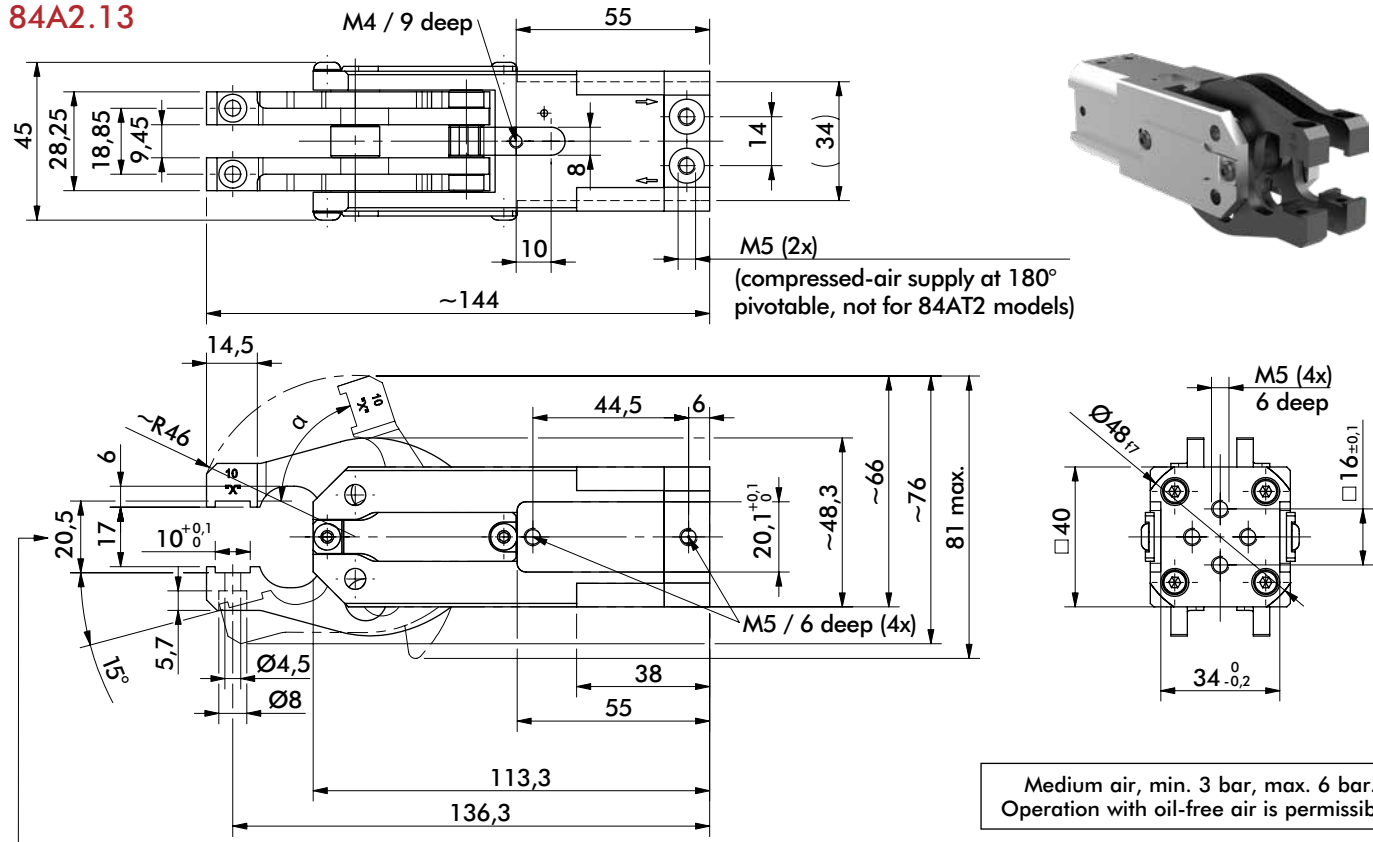
T-groove for sensor

Model 84A2...5/84AT2...5	Opening Angle α Symmetrical	Clamping force at 6 bar ~N [lbs]	Weight Kg [lbs]
-	72°	475 [107]	0,47 [1.04]
X	30°		
Y	45°		

84A2..3 SERIES (DOUBLE 15° MOVEABLE LOWER JAWS)

Cam Type Sheet Metal Grippers | Dimensions and Technical Specifications

84A2.13

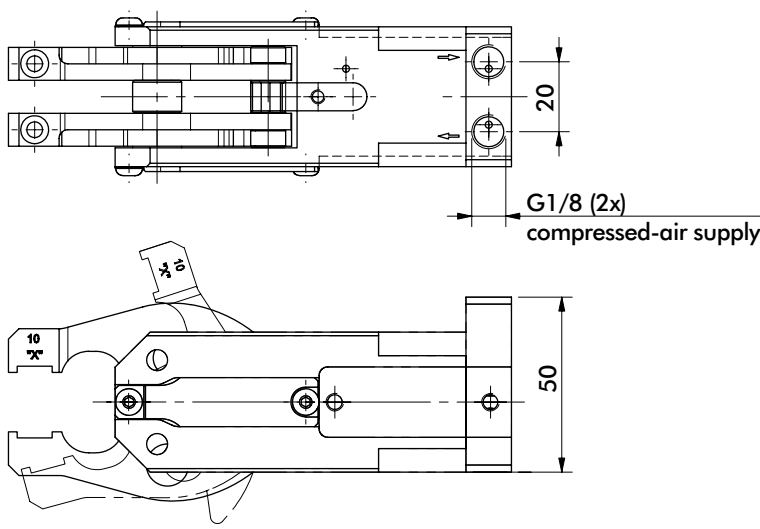


Medium air, min. 3 bar, max. 6 bar.
Operation with oil-free air is permissible.

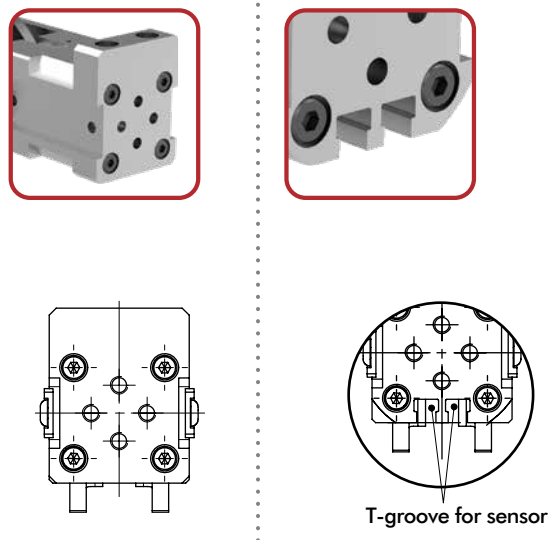
Addition of gripper teeth height and thickness of the clamped plate must be 20,5 mm. It might be necessary to use shim plates or to grind off the gripper teeth.

NOTE! Any extension of the moveable or fixed gripper jaws as well as the additional attachment of weights will void warrantee.

84A2.V3



84AT2..3

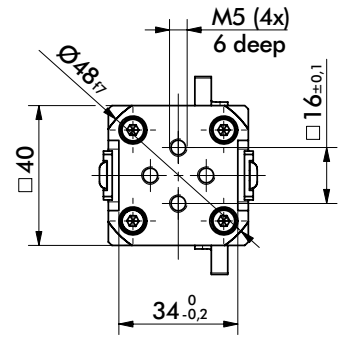
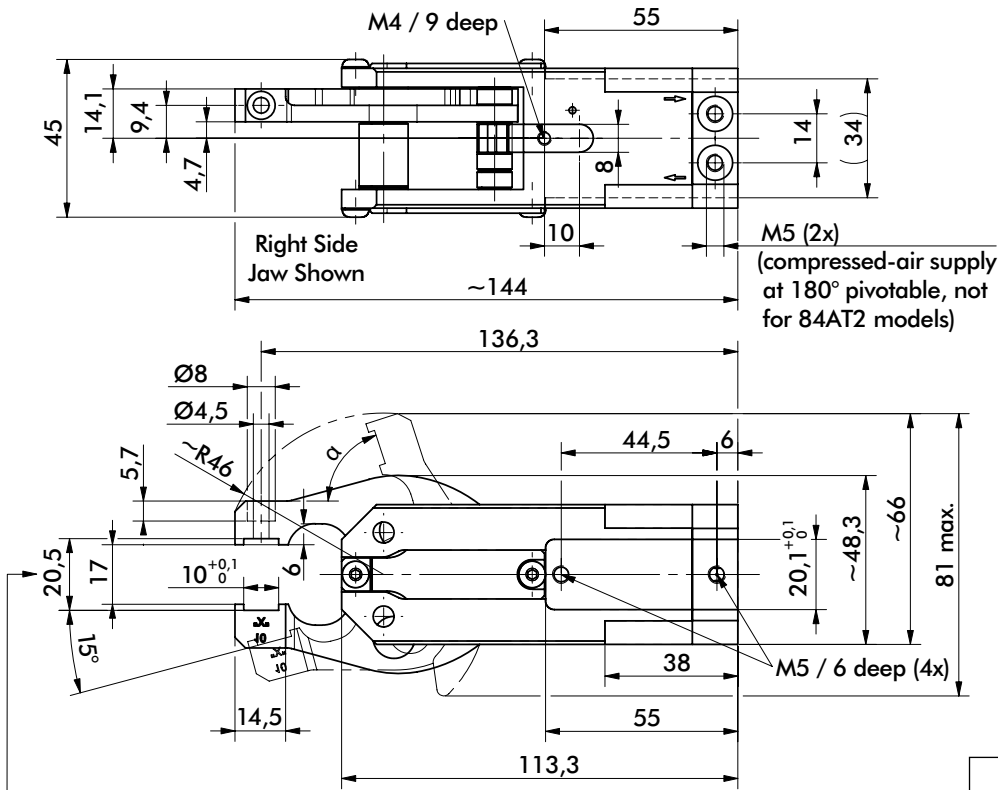


Model	Opening Angle α Upper/Lower	Clamping force at 6 bar ~N [lbs]	Weight Kg [lbs]
84A2..3/84AT2..3			
R	72°/15°	475 [107]	0,6 [1.32]
T	45°/15		

84A2...5 SERIES (SINGLE 15° MOVEABLE LOWER JAW)

Cam Type Sheet Metal Grippers | Dimensions and Technical Specifications

84A2..15

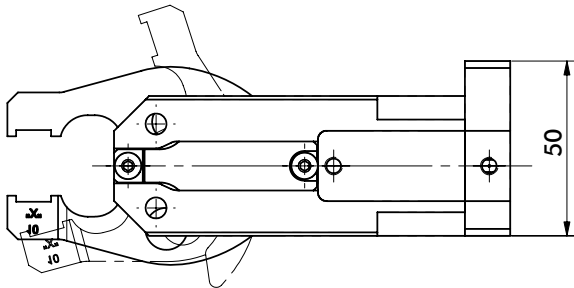
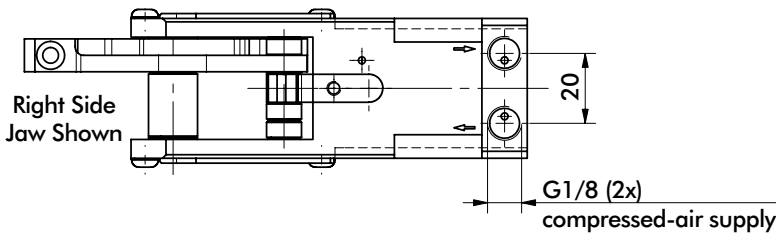


Medium air, min. 3 bar, max. 6 bar.
Operation with oil-free air is permissible.

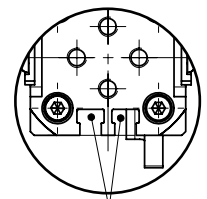
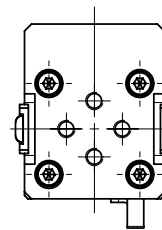
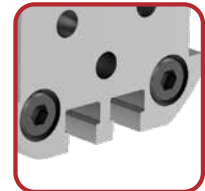
Addition of gripper teeth height and thickness of the clamped plate must be 20,5 mm. It might be necessary to use shim plates or to grind off the gripper teeth.

NOTE! Any extension of the moveable or fixed gripper jaws as well as the additional attachment of weights will void warrantee.

84A2..V5



84AT2...5



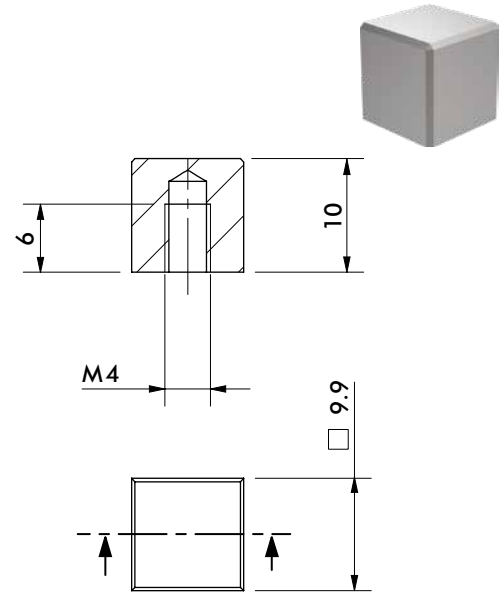
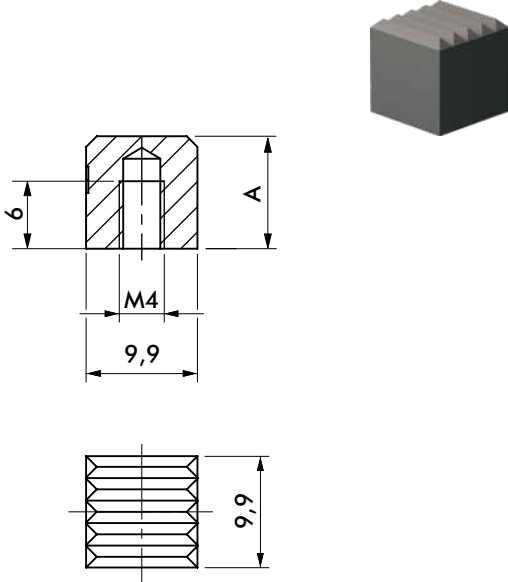
T-groove for sensor

Model	Opening Angle α Upper/Lower	Clamping force at 6 bar ~N [lbs]	Weight Kg [lbs]
84A2...5/84AT2...5			
R	72°/15°	475 [107]	0,47 [1.04]
T	45°/15		

84A2 SERIES ACCESSORIES

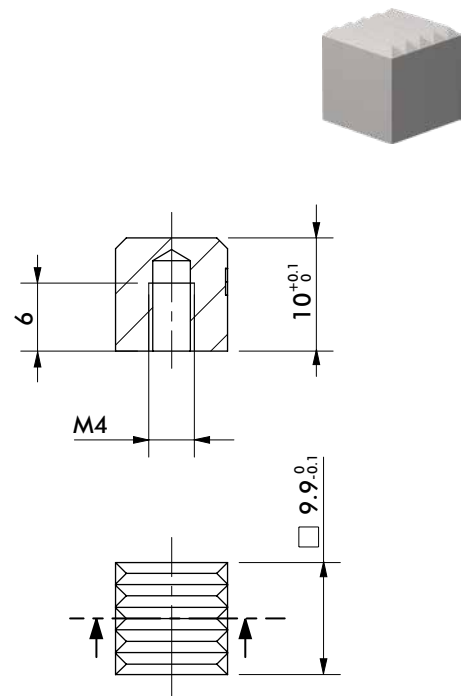
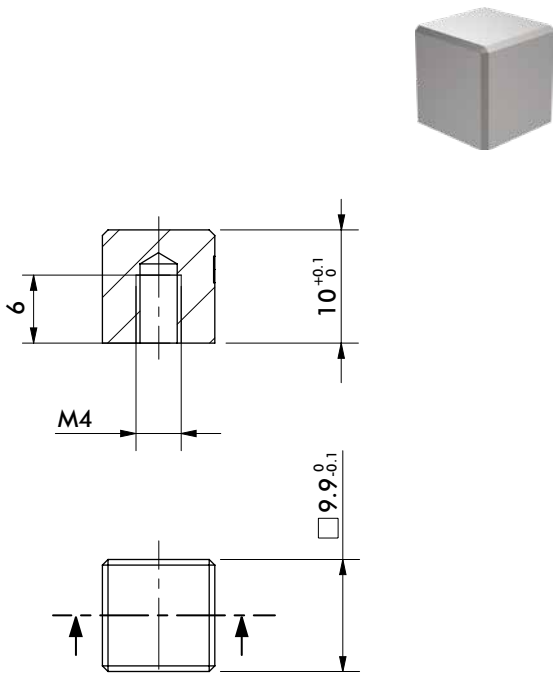
Cam Type Sheet Metal Grippers | Dimensions and Ordering Information

Steel Teeth



Hardened Steel Teeth	Part Number	A
Serrated	8JZ-049-1	9
Serrated	8JZ-027-1	10

Soft Steel Teeth	Part Number
Non-Serrated	8JZ-028-1



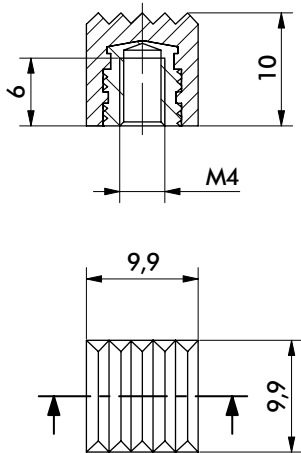
Hi-Temp Soft Steel Teeth	Part Number
Non-Serrated	8JZ-085-1

Hi-Temp Soft Steel Teeth	Part Number
Serrated	8JZ-092-1

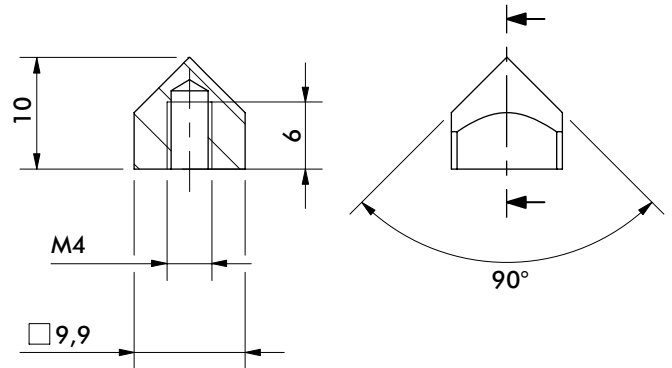
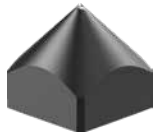
84A2 SERIES ACCESSORIES

Cam Type Sheet Metal Grippers | Dimensions and Ordering Information

Plastic Teeth



Steel Points



Plastic Teeth

90 Shore, Serrated

Part Number

8JZ-045-2

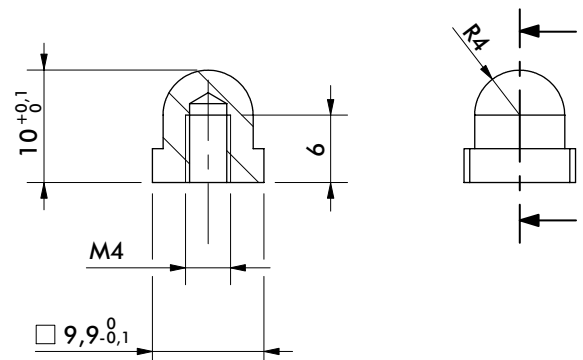
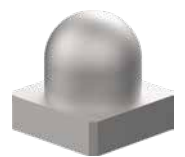
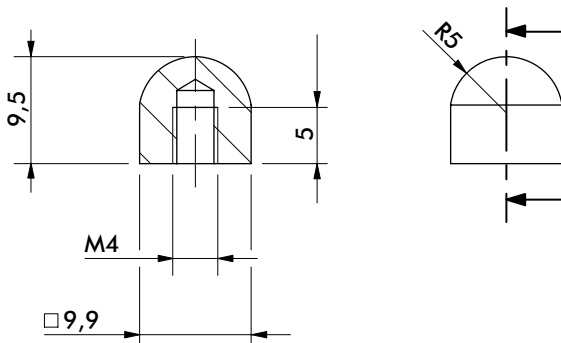
Hardened Steel Point

Pointed

Part Number

8JZ-029-1

Steel Points



Hi-Temp Soft Steel Point

Rounded

Part Number

8JZ-074-1

Hi-Temp Soft Steel Point

Rounded

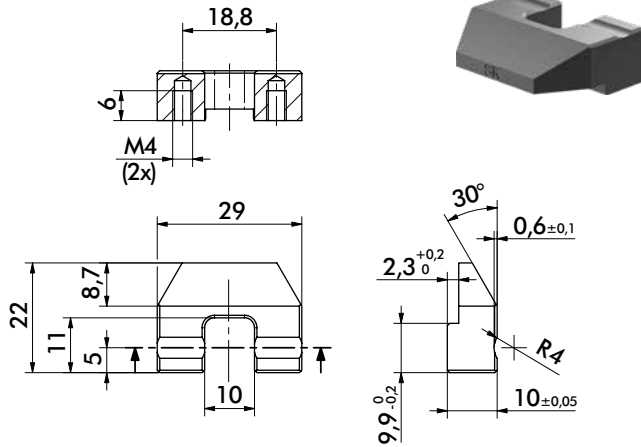
Part Number

8JZ-088-1

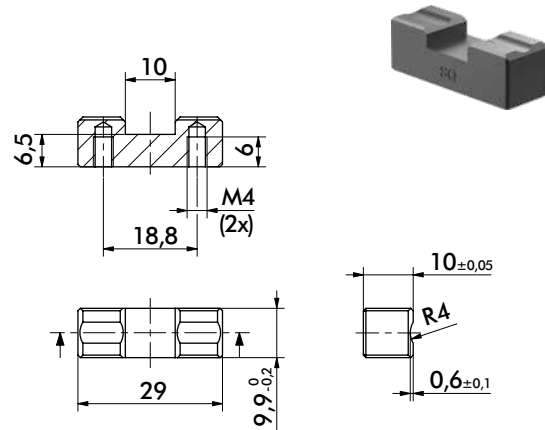
84A2 SERIES ACCESSORIES

Cam Type Sheet Metal Grippers | Dimensions and Ordering Information

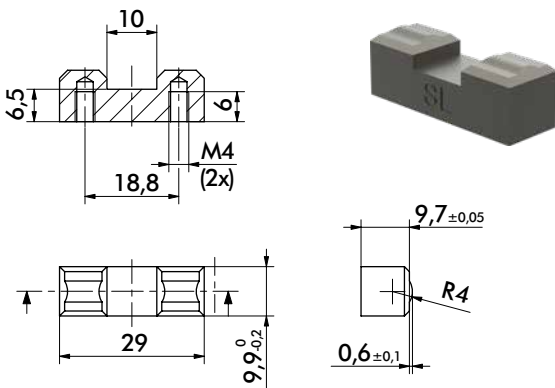
Crown Teeth



Hardened Steel Teeth Part Number **8JZ-036-2**
Crown Lower

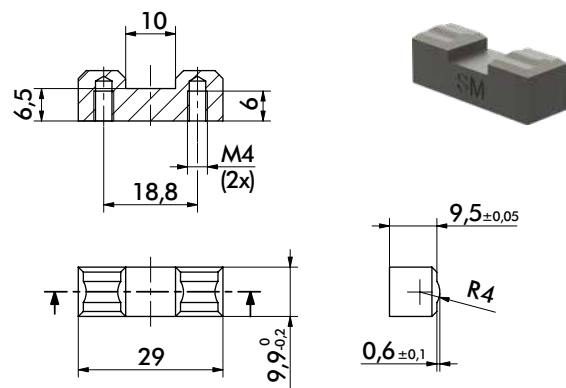


Hardened Steel Teeth Part Number **8JZ-051-1**
Crown Lower



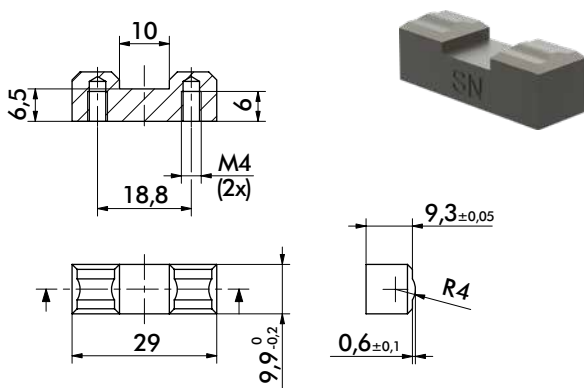
For material thickness 0,5 - 0,8 mm

Hardened Steel Teeth Part Number **8JZ-037-1**
Crown Upper



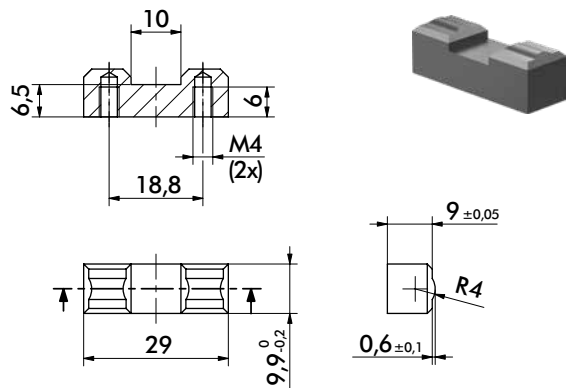
For material thickness 0,9 - 1,2 mm

Hardened Steel Teeth Part Number **8JZ-038-1**
Crown Upper



For material thickness 1,3 - 1,6 mm

Hardened Steel Teeth Part Number **8JZ-039-1**
Crown Upper



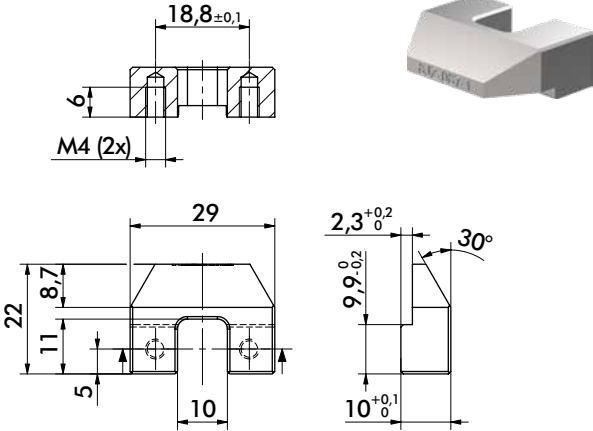
For material thickness 1,7 - 2,1 mm

Hardened Steel Teeth Part Number **8JZ-040-1**
Crown Upper

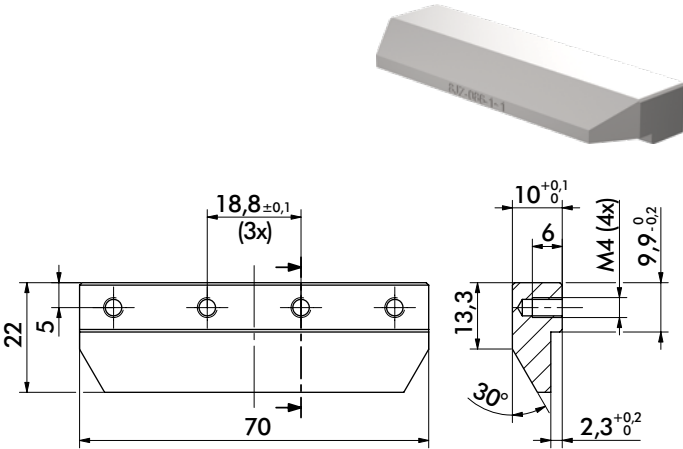
84A2 SERIES ACCESSORIES

Cam Type Sheet Metal Grippers | Dimensions and Ordering Information

Crown Teeth

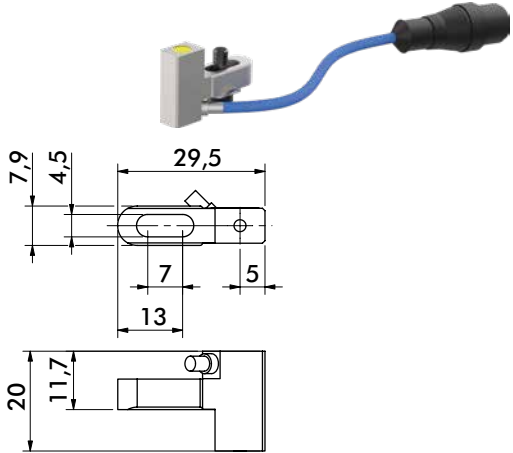


Hi-Temp Soft Steel Teeth Part Number **8JZ-087-1**
Crown Lower

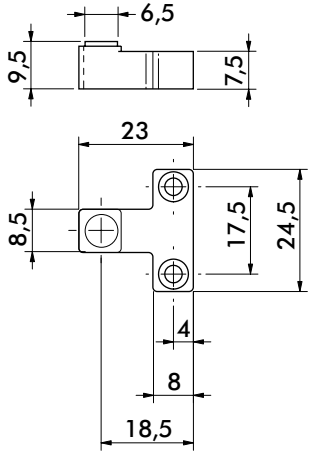


Hi-Temp Soft Steel Teeth Part Number **8JZ-086-1**
Crown Lower

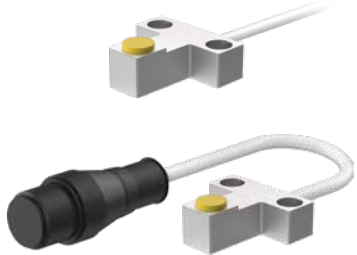
Sensors



Part Present Sensor Part Number **8EA-087-1**
1.5mm Sensing Distance

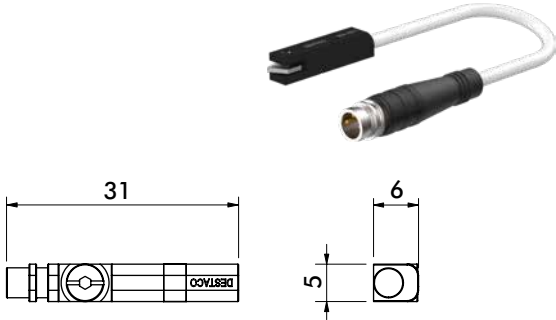


Part Present Sensor Part Number **8EA-164-1**
3mm Sensing Distance, 2m Cable



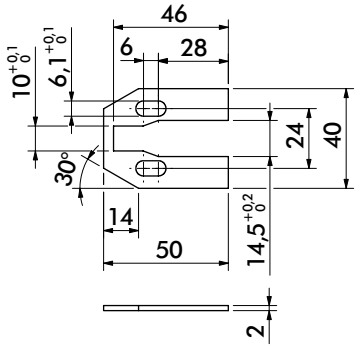
Part Present Sensor Part Number **8EA-165-1**
3mm Sensing Distance, M12X1

Sensors



Proximity Switch Part Number **8EA-109-1**
T-Slot, M8x1 Plug

Mount



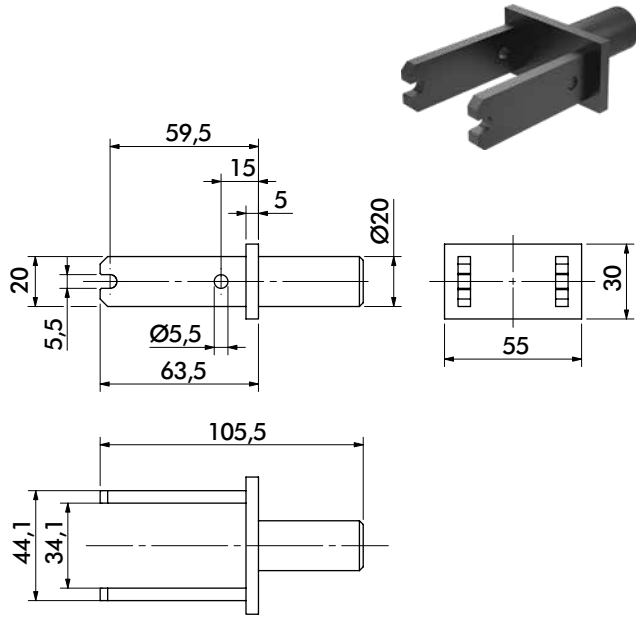
Mount Part Number **8MH-054-1**
Guards



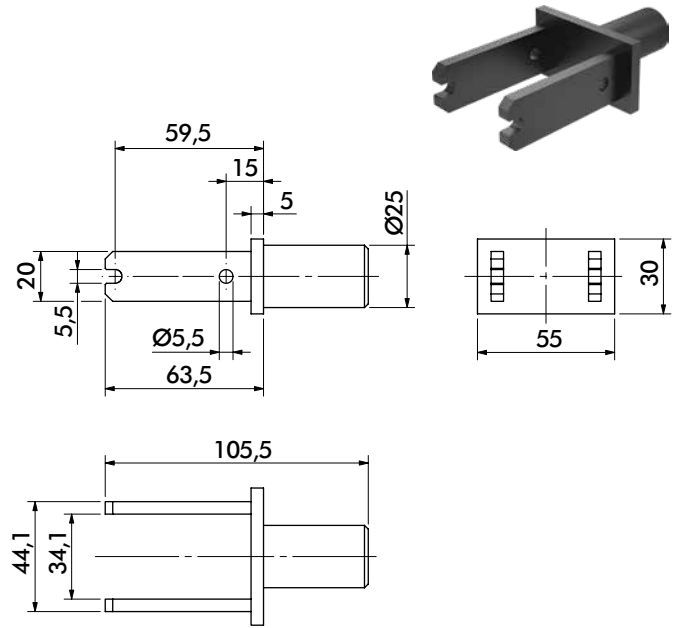
84A2 SERIES ACCESSORIES

Cam Type Sheet Metal Grippers | Dimensions and Ordering Information

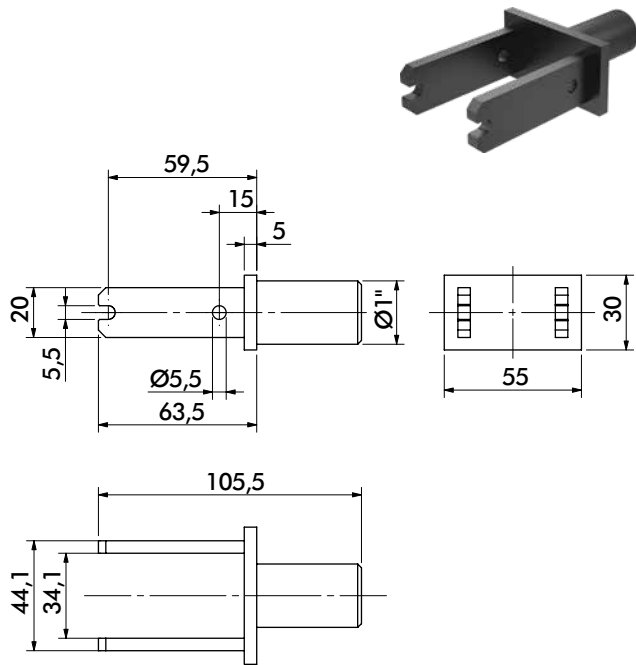
Mounts



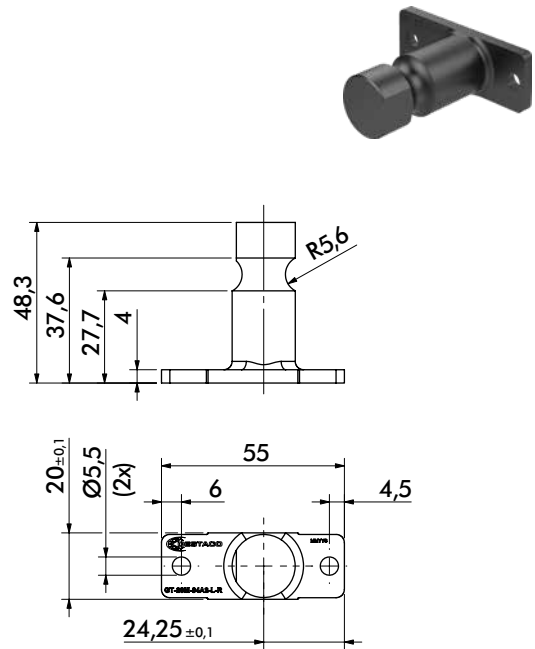
Mount **Part Number**
 Ø20mm Rear Rod **8MA-165-1**



Mount **Part Number**
 Ø25mm Rear Rod **8MA-166-1**



Mount **Part Number**
 Ø1.00" Rear Rod **8MA-168-1**

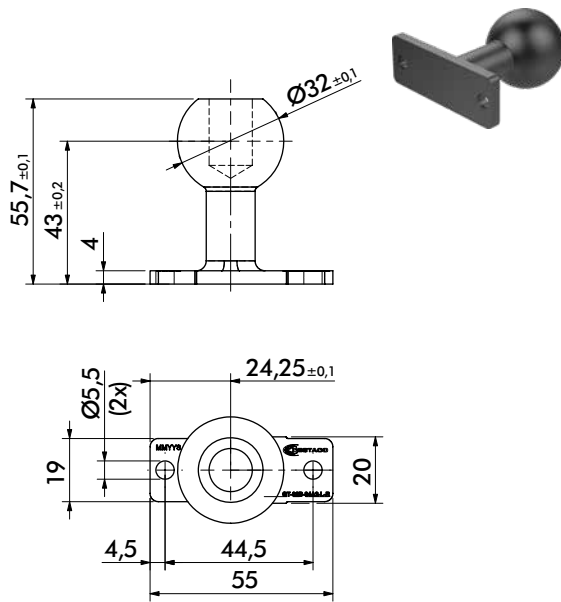


Mount **Part Number**
 Ø20mm Apple Core **GT-20M-84A2-L-R**

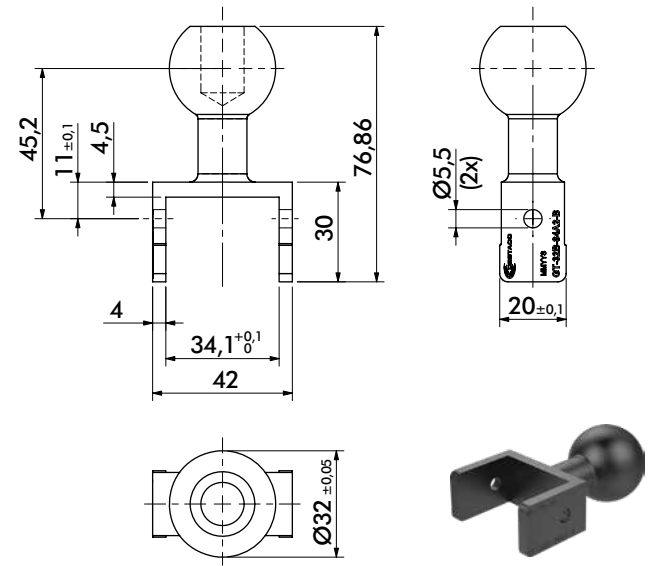
84A2 SERIES ACCESSORIES

Cam Type Sheet Metal Grippers | Dimensions and Ordering Information

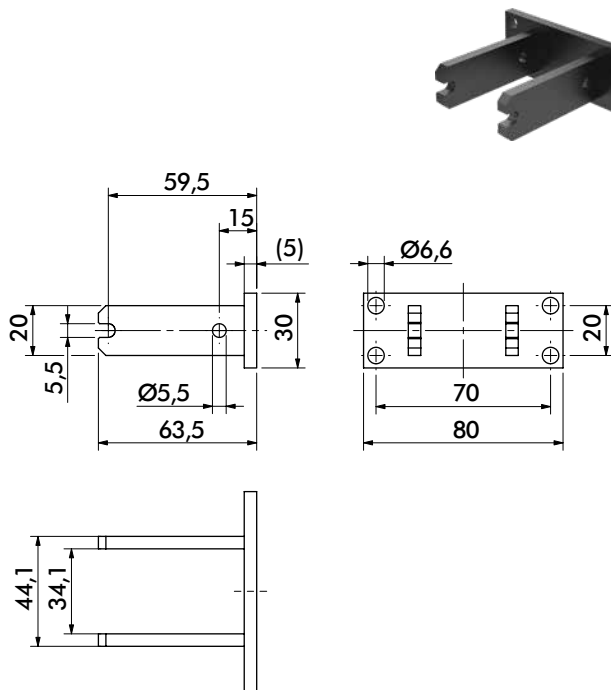
Mounts



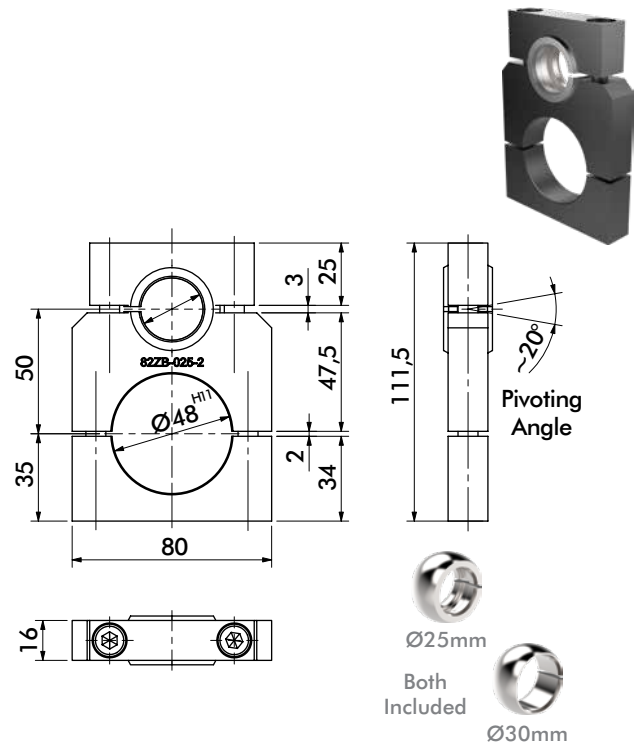
Mount Ø32mm Rear Ball **Part Number** **GT-32B-84A2-L-R**



Mount Ø32mm Flanged Ball **Part Number** **GT-32B-84A2-B**



Mount Rear Flange **Part Number** **8MA-147-1**



Mount On-Body Swivel Ball **Part Number** **82ZB-025-2**