

# 235 SERIES

## Horizontal Hold Down Clamps | Product Overview

### Features:

- Low profile
- Available DESTACO® Toggle Lock Plus™
- Available in stainless steel

### Applications:

- Assembly
- Checking fixtures
- Welding
- Closures
- Woodworking

### Also Available:

See page MC-ACC-1 for accessories  
Accommodates M10 or 3/8" spindle accessory

Covered under one or more U.S./International Patents

**235-U/USS**  
Flanged Base  
U-Bar



-USS Stainless Steel Model



**235-UR/URSS**  
Flanged Base  
U-Bar



-URSS Stainless Steel Model

DESTACO®  
Toggle Lock  
Plus



**235-UB** ⓘ  
Straight Base  
U Bar

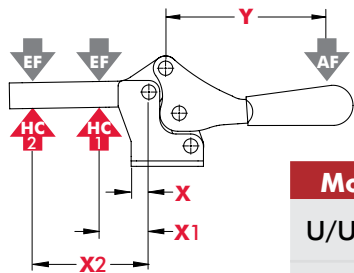


## Technical Information

Model	Max. Holding Capacity	Clamp Bar Opening (+10°)	Handle Opening (+10°)	Weight	Accessories (Supplied)	
					Spindle Assembly	Flanged Washers
235-U	3340 N [750 lbf]	92°	70°	0,67kg [1.47lb]	240208-M	235106
235-USS	3780 N [850 lbf]				237943-M	235906
235-UR	3340 N [750 lbf]			240208-M	235106	
235-URSS	3780 N [850 lbf]			237943-M	235906	
235-UB ⓘ	3340 N [750 lbf]			240208-M	235106	

ⓘ This item is available upon request

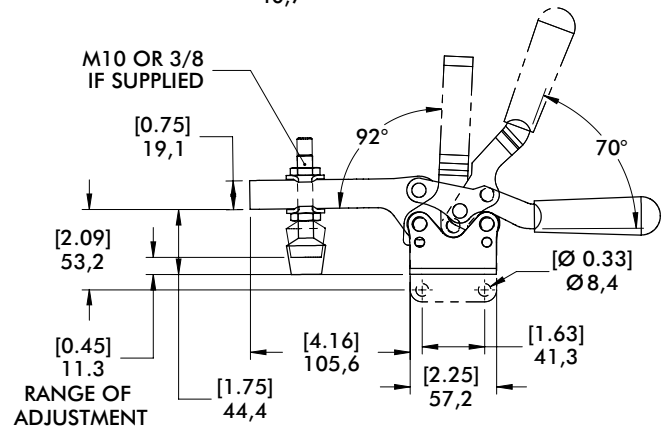
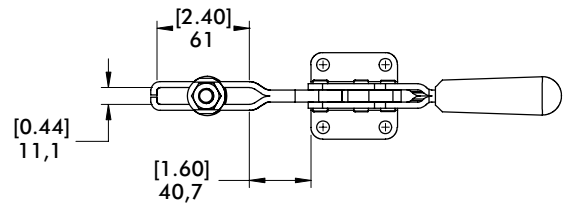
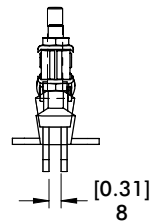
## Holding Capacities



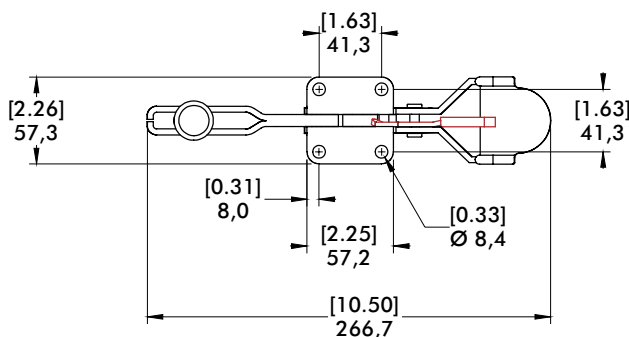
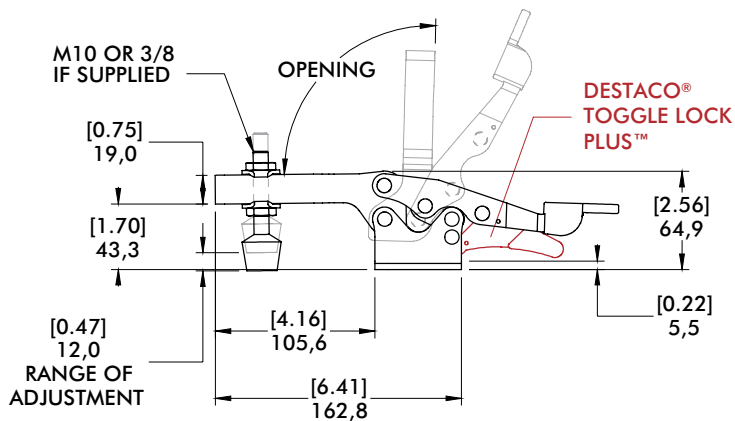
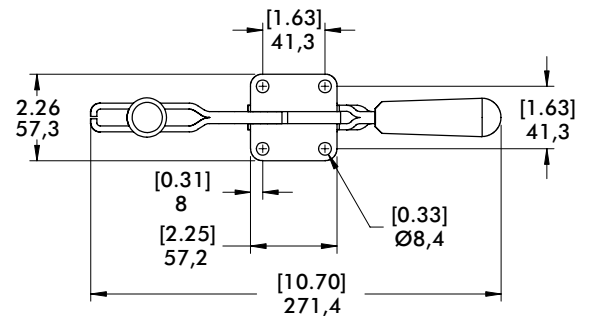
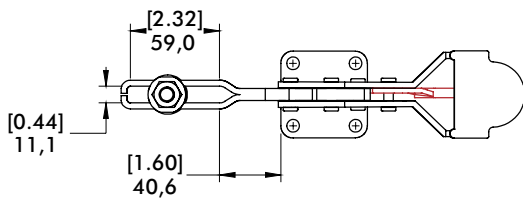
Model	X	X1	X2	Y	±HC1	±HC2	±EF(X1):AF	±EF(X2):AF
U/UR/UB	[0.25]	[1.75]	[4.13]	[5.75]	[750lbf.] 3340N	[300lbf.] 1330N	9:1	5:1
USS/URSS	6,4	44,5	105	146	[850lbf.] 3780N	[360lbf.] 1600N		

Dimensions shown "mm [inch]" ± HC = Holding Capacity, EF = Exerting Force, AF = Applied Force  
See page MC-TEC-4 for additional information.

### 235-U Flanged Base U-Bar



### Dimensions | -UR



mm [INCH]  
THIRD ANGLE PROJECTION

### 235-UR Flanged Base U-Bar DESTACO® Toggle Lock Plus™

