

# HYDRAULIC CLAMPING TECHNOLOGY

## Hydraulic hollow piston cylinder | single acting

### Operating pressure max. 350 bar/min 100 bar

These hydraulic cylinder are single acting with spring retraction. A typical application for hydraulic hollow piston cylinders is when pulling and/or pushing forces are needed for clamping. The piston inserts which can be mounted in the thread on the top end of the piston are used to secure threaded bolts or screws. The piston inserts are available with the internal thread (type A) or with the through-hole (type B).

### Technical characteristics

- Cylindrical and Block version available
- Cylindrical version available with- or without external thread
- Spring retraction
- Piston with through-hole (different piston inserts available)
- Piston nitrogen hardened
- Fastening threads at the base
- Lateral hydraulic connection

### CUSTOMER DESIGNED Models

If you need a special cylinder for your application – customer designed Models are available. PLEASE LET US KNOW!

### Important note

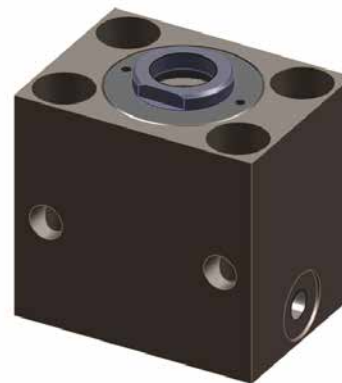
The operating pressure should not exceed 100 bar if the piston is actuated without a counter force.

### Recommended accessories (separate Order)


- 1 straight screw connectors D8S-R1/8
- 1 straight screw connectors D8S-R1/4
- Piston inserts

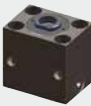


Cylindrical version



Block version

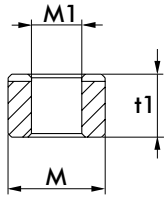
Model no. cylindrical version	Clamping force at 100 bar		Stroke S max.	Piston surface area	Oil consump- tion/stroke	Spring retracting force min	Connection G	Weight ~	
	[kN]	Repair kit							[mm]
	70537-DX11	8	70537-D1-00	9	8,8	7,9	340	G1/8	1,25
	70537-D1	8,4	70537-D1-00	9	8,8	7,9	125	G1/8	1,25
	70537-DG	8,4	70537-D1-00	9	8,8	7,9	125	G1/8	1,25
	70550-D2	15,7	70550-D2-00	12,5	16,4	20,5	185	G1/4	2
	70550-DG	15,7	70550-D2-00	12,5	16,4	20,5	185	G1/4	2
	70562-D2	23,9	70562-D1-00	15,5	24,8	38,4	320	G1/4	2,8
	70562-DG	23,9	70562-D1-00	15,5	24,8	38,4	320	G1/4	2,8

block version	Clamping force at 100 bar		Stroke S max.	Piston surface area	Oil consump- tion/stroke	Spring retracting force min	Connection G	Weight ~	
	[kN]	Repair kit							[mm]
	723E38092-1	8	70537-D1-00	9	8,8	7,9	340	G1/8	1,5
	723E51122-1	15,7	70550-D2-00	12,5	16,4	20,5	185	G1/4	2,5
	723E63152-1	23,9	70562-D1-00	15,5	24,8	28,4	320	G1/4	3,3

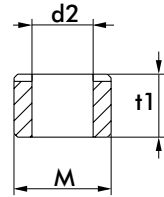
# HYDRAULIC CLAMPING TECHNOLOGY

Hydraulic hollow piston cylinder | single acting

Form A



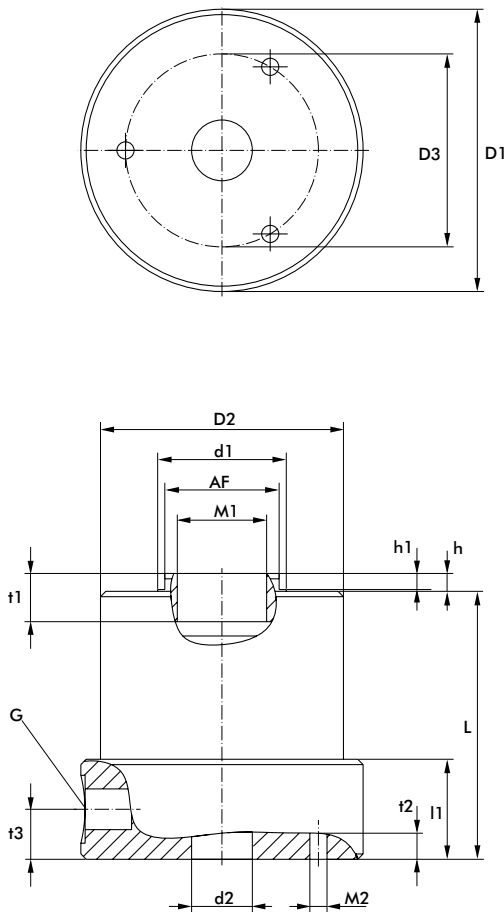
Form B



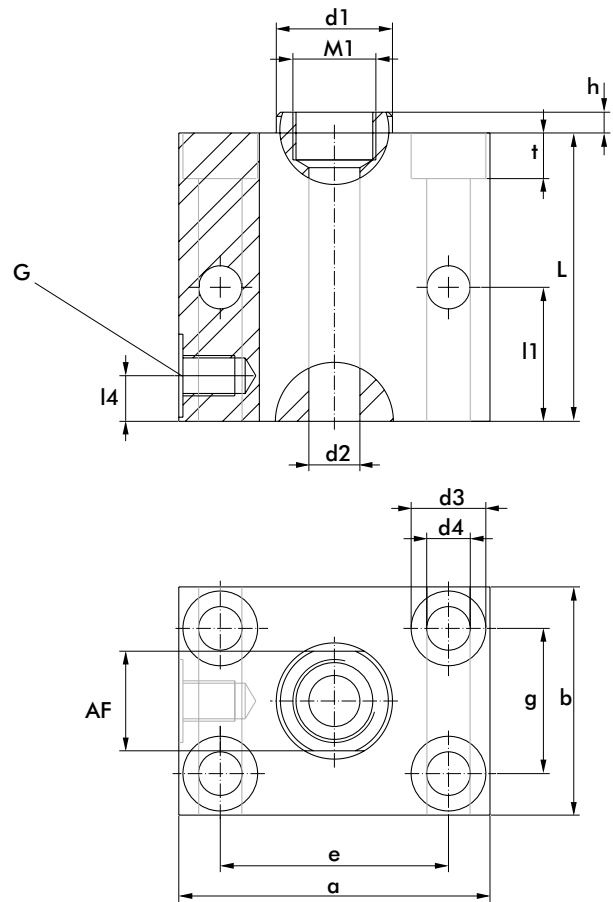
## Accessories piston inserts

Order no. Type A	Order no. Type B	d2	M1	M	t1	for Model
[mm]						
705383-D	705384-D	12,3	M12	M20x1,5	11,5	70537.../ 723E38...
705511-D	705513-D	17	M16	M27x1,5	17,5	70550.../ 723E51...
705633-D	705634-D	21	M20	M36x1,5	21	70562.../ 723E63...

Cylindrical version 705...



Block version 723E...



Model cylindrical version	a	b	d1	d3	d4	D1	D2/M3	D3	e	g	h	h1	L	l1	l4	M1	M2	AF	t	t2	t3
[mm]																					
70537-DX11	-	-	28	-	-	65	55	46	-	-	5	4,5	64,5	22	-	M20x1,5	M5	22	-	8	11
70537-D1	-	-	28	-	-	65	55	46	-	-	5	4,5	60	25	-	M20x1,5	M5	24	-	8	12
70537-DG	-	-	28	-	-	65	M50x1,5	46	-	-	5	4,5	60	25	-	M20x1,5	M5	24	-	8	12
70550-D2	-	-	36	-	-	79	68	54	-	-	5	4,5	75	28	-	M27x1,5	M6	32	-	9	14
70550-DG	-	-	36	-	-	79	M68x1,5	54	-	-	5	4,5	75	28	-	M27x1,5	M6	32	-	9	14
70562-D2	-	-	48	-	-	93	80	60	-	-	5	4,5	92	32	-	M36x1,5	M6	41	-	10	16
70562-DG	-	-	48	-	-	93	M80x2	60	-	-	5	4,5	92	32	-	M36x1,5	M6	41	-	10	16

block version	a	b	d1	d3	d4	D1	D2/M3	D3	e	g	h	h1	L	l1	l4	M1	M2	AF	t	t2	t3
723E38092-1	75	55	28	18	10,5	-	-	-	55	35	5	4,5	64,5	32,5	11	M20x1,5	-	24	11	-	-
723E51122-1	100	75	36	20	13	-	-	-	76	45	5	4,5	75	37,5	14	M27x1,5	-	32	13	-	-
723E63152-1	110	85	48	20	13	-	-	-	86	55	5	4,5	92	46	16	M36x1,5	-	41	13	-	-