

DESTACO Products Overview



Clamping Solutions
Grippers, Tool Changer
End Effectors
Indexers, Automation

AUTOMATION PRODUCTS - ROBOHAND GRIPPERS, ROTARIES AND SLIDES

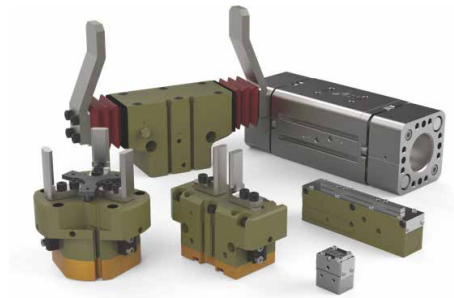
OEM Products



Electric Parallel Grippers



Parallel Grippers



Angular Grippers



Special Grippers



Rotary Actuators



Linear Slides



Feed Escapements



Conveyors



Precision Link Conveyors



Rite-Link Conveyors



AUTOMATION PRODUCTS - CAMCO SERVO AND MECHANICAL POSITIONER

Servo Positioner Rotary Tables



Servo Rotary Positioners for Heavy Duty Applications



Servo-Mechanical Dial Drives



Ring Drive Dial Indexer



Mechanical Index Drives



Custom Cams



repairs and service

- *Brand-independent repair and maintenance of drives*
- *Fast and reliable fault analysis*
- *Binding cost estimate for the repair decision*
- *Professional assembling and disassembling at the customer*
- *In-house mechanical production*
- *Use by original parts or part of equal quality*
- *Customized parts on stock*
- *Endurance test on own testfield*
- *Optimization and new concepts for existing drive units*
- *New warranty for serviced drives*
- *Individual maintenance and service concepts*

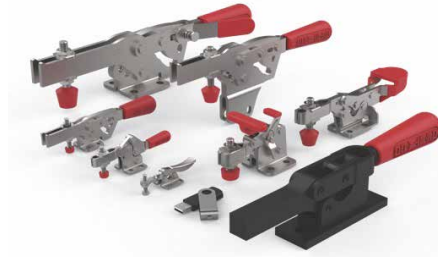
Fast. Reliable. Competent.

MANUAL AND PNEUMATIC CLAMPING SOLUTIONS POWER CLAMPS, PIVOT UNITS

Vertical Hold Down Clamps



Horizontal Hold Down Clamps



Push Action Clamps



Squeeze Action Plier Clamps



Pull Action Latch Clamps



Pneumatic Toggle Clamps



Pneumatic Swing Clamps



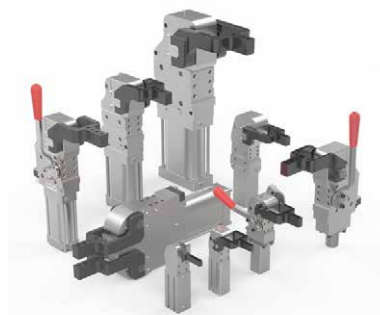
Pneumatic Power Cylinders



Pneumatic Round Power Clamps



Pneumatic Power Clamps



Guides and Lifters



Pin Clamps & Packages, Pivot Units



END EFFECTOR SOLUTIONS

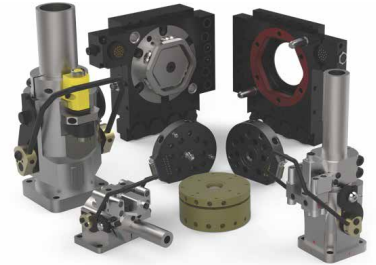
Accelerate Lightweight Tooling



Accelerate Worldtool & Round Tooling Systems



Tool Changers & Compliance Devices



Accelerate Tooling Components



BodyBuilder Tooling-System



SpiderGrip Tooling System



Accelerate Vacuum Cups & Products



ARV Auto Release Venturi Vacuum Generators



Destacker Products



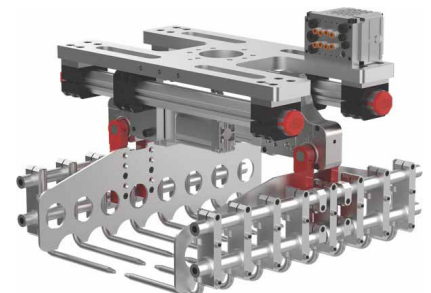
Accelerate Press Room Grippers



Sheet Metal Grippers



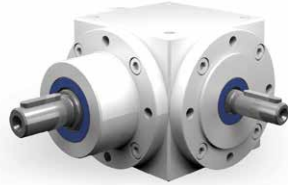
Bag Grippers



PRODUCTS AND PRODUCTION POSSIBILITIES

Gear Technology

- Bevel gearboxes
- Right angle-planetary gearboxes
- Worm gearboxes
- Cam-drives and indexing units
- Indexing units (cam, cam followers)
- Special gearboxes



Gears

- Spiral bevel gears
- Bevel gears
- Worm gears
- Spur gears
- Special gears



Couplings

- Rigid and flexible couplings
- Frictional connections
- Drum-coupling
- Gear-couplings
- Safety couplings



Sensor systems

- Incremental encoders
- Magnetic encoders
- Absolute encoders
- Electronic speed switches
- Electronic position switches
- Universal encoder systems



Manufacturing

- Turning, milling, grinding
- Grooving and broaching
- Balancing
- Calculation and design
- Installation
- Service und repairs

Fly-Wheels, Pulleys

- V-belt- & flat belt pulleys
- Flywheels
- Special pulleys
- Motor slide parts (systems)
- Supplies for drive belts
- Drive belts
- Customer cast




INDUSTRIETECHNIK GMBH

FLOHR Germany

FLOHR INDUSTRIETECHNIK GmbH
Im Unteren Tal 1
D-79761 Waldshut-Tiengen
phone: +49 (0) 77 51 / 87 31 0
info@flohr-industrietechnik.de
www.flohr-industrietechnik.de

FLOHR Switzerland

FLOHR INDUSTRIETECHNIK
Zillistude 164
CH-5465 Mellikon
phone: +41 (0) 56 / 267 08 10
info@flohr.ch
www.flohr.ch

FLOHR Austria

FLOHR INDUSTRIETECHNIK AUSTRIA
Bucherstraße 37b
A-6922 Wolfurt
phone: +43 (0) 5572 / 372 158
info@flohr.at
www.flohr.at