

Accelerate® Tooling for Body Shop

Speed Matters

DESTACO has been extremely successful increasing customers' press room productivity through utilization of our Accelerate Collection® of press automation tooling. Now, we are building on that design philosophy by decreasing our BodyBuilder™ transition blocks' weight by up to 70%.

These new lightweight body shop components are designed to transition the BodyBuilder™ octagonal tooling to the Accelerate® round tooling structures. This development will allow our customers to improve their productivity, increase robot payloads, and decrease the MOI on the robot.



Product Highlights/Options

- Five sizes
- Lightweight
- High-Strength
- One tool to tighten all axis/sizes

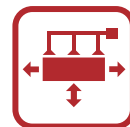


PICK & PLACE

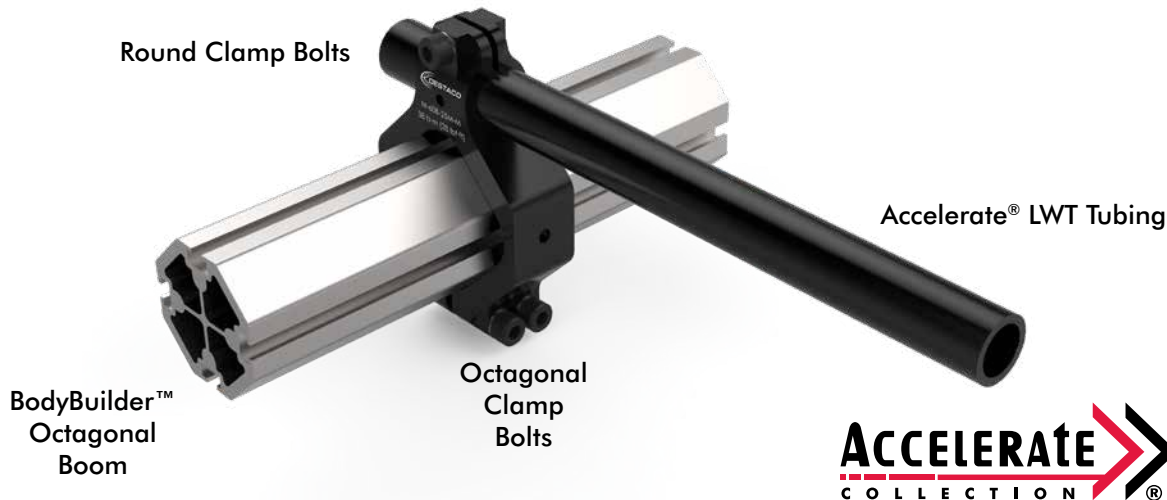
Features, Markets and Applications

 LIGHTWEIGHT	<ul style="list-style-type: none"> • Lighter weight by up to 70% from previous design • Reduces robot MOI 	 AUTOMOTIVE	 PRESSROOM
 STRENGTH	<ul style="list-style-type: none"> • Made with high strength 7075-T6 aluminum • Increases robot payloads 	 INDUSTRIAL	 ASSEMBLY
 INTERCHANGABLE	<ul style="list-style-type: none"> • Can be used with existing BodyBuilder™ Tooling Systems • Single tool can be used to tighten both axis • Uses BodyBuilder™ patented alignment system 	 AEROSPACE	 WELDING
		 CONSUMER GOODS	 FIXTURE/TESTING

Accelerate® Octagonal to Round Transition Blocks



PICK AND PLACE



Round Clamp Bolts

Accelerate® LWT Tubing

BodyBuilder™
Octagonal
Boom

Octagonal
Clamp
Bolts



BodyBuilder™ Old vs New Design

M-60B-25M-M



Existing Design
6061-T6 Aluminum
Weight: 656.7g



New Design
7075-T6 Aluminum
Weight: 312.1g
52% Lighter

M-60B-40M-M



Existing Design
6061-T6 Aluminum
Weight: 938.8g



New Design
7075-T6 Aluminum
Weight: 458.5g
51% Lighter

M-45B-25M-M/M-45B-10E-M



Existing Design
6061-T6 Aluminum
Weight: 572.5g



New Design
7075-T6 Aluminum
Weight: 163.9g
71% Lighter

M-30B-25M-M



Existing Design
6061-T6 Aluminum
Weight: 375.4g



New Design
7075-T6 Aluminum
Weight: 167.8g
55% Lighter

Dimensions and technical information are subject to change without notice.

GERMANY
+49-6171-705-0
europe@destaco.com

UNITED KINGDOM
+44-1902-797980
uk@destaco.com

NETHERLANDS
+31-297285332
benelux@destaco.com

THAILAND
+66-2-326-0812
asia@destaco.com

USA
+1-888-DESTACO
+1-248-836-6700
northamerica@destaco.com

FRANCE
Tel: +33-4-7354-5001
france@destaco.com

SPAIN
+34-936361680
spain@destaco.com

CHINA
+86-21-6081-2888
china@destaco.com

INDIA
+91-80-41123421-426
india@destaco.com