

Product overview



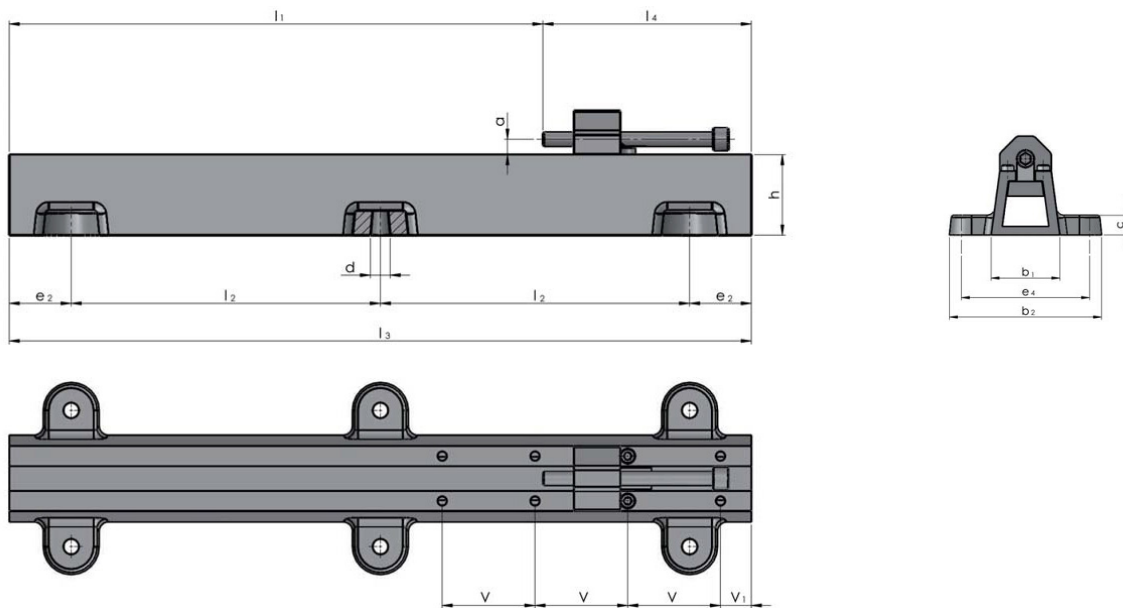
Motor slide rails

Heavy version

MOTOR SLIDE RAILS

HEAVY VERSION | WEN 40.003

Sliding length from 1040 bis 1800 mm



type	motor size	power range [kW]	sliding length [mm]	total length [mm]	dimensions [mm]												weight per set [kg]
					l_2	$l_{4\text{ min}}$	a	b_1	b_2	c	d	h	e_2	e_4	V	V_1	
122	< 355	< 400	1040	1200	500	160	25	140	310	40	25	130	100	220	150	50	150
142	355	400	1240	1400	600	160	25	140	310	40	25	130	100	220	150	50	175
162	405	630	1440	1600	600	160	25	140	310	40	25	130	200	220	150	50	195
183	455	900	1600	1800	775	160	25	180	360	50	40	140	125	270	150	50	300
203	505	1200	1800	2000	775	160	25	180	360	50	40	140	225	270	150	50	360

The WEN slide rails are a proprietary development of our company. For the selection of the optimum size, we have given the recommended performance data as a guide. However, we will be glad to advise you specifically on the optimum solution for your drive.

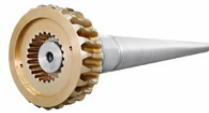
- Company standard design for heavy drives and highest performances
- Excellent damping characteristics (EN-GJL-200)
- Optimal adjustability with highest stability
- Good thermal conductivity
- Delivery inclusive adjustment screws and fixation screws
- Galvanized screws also available



FLOHR - PRODUCTS OVERVIEW

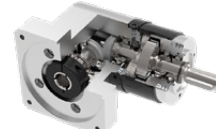
Gears

- Spiral toothed bevel gears
- Bevel gears
- Worm gears
- Spur gears
- Special gears



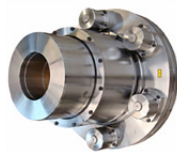
Gear Technology

- Bevel gearboxes
- Angle-planetary gearboxes
- Worm gearboxes
- Cam drives and indexing units
- Cam components
- Special gearboxes



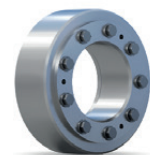
Couplings

- Rigid and flexible couplings
- Frictional connections
- Drum-coupling
- Gear-couplings
- Safety couplings



Friction connections

- Shrink discs
- Shaft couplings
- Flange couplings
- Locking units



Clamping technology

- Manual and pneumatic clamping solutions
- Power clamps
- Pivot units
- End effector solutions
- Linear units
- Grippers



Belt drives

- V-belt and flat belt pulleys
- Flywheels
- Special pulleys
- Motor mounting systems
- Drive belts
- Customer designed castings
- Accessories



Sensor systems

- Incremental encoders
- Magnetic encoders
- Absolute encoders
- Electronic overspeed switches
- Electronic position switches
- Universal encoder systems
- Systems



Contract manufacturing

- Turning, milling, grinding
- Grooving and broaching
- Balancing
- Calculation and design
- Assembly
- Service and repair




INDUSTRIETECHNIK GMBH

FLOHR Germany

FLOHR INDUSTRIETECHNIK GmbH
Im Unteren Tal 1
D-79761 Waldshut-Tiengen
Phone: +49 (0) 77 51 / 87 31 0
info@flohr-industrietechnik.de
www.flohr-industrietechnik.de

FLOHR Switzerland

FLOHR INDUSTRIETECHNIK GmbH
Zilistude 164
CH-5465 Mellikon
Phone: +41 (0) 56 / 267 08 10
info@flohr.ch
www.flohr.ch

FLOHR Austria

FLOHR INDUSTRIETECHNIK
Bucherstraße 37b
A-6922 Wolfurt
Phone: +43 (0) 5572 / 372 158
info@flohr.at
www.flohr.at