

ROUND TOOLING SYSTEMS

Table of Contents

	Introduction	3
	World Tool Booms and Bushings	7
	Tubes and Rods	8
	Single Mushroom Tool Holder.....	10
	Double Mushroom Tool Holder	11
	Wrist Rotate Assembly	12
	Flange End Mount Bracket and Blocks.....	13
	Flange Mid Mount Brackets and Blocks	16
	World Tool Direct Mounts.....	19
	Base Mount Block.....	21
	Cross Transition Brackets and Blocks.....	22
	T-Clamp Transition Brackets and Blocks.....	27
	Wrist Brackets and Blocks	31

ROUND TOOLING SYSTEMS

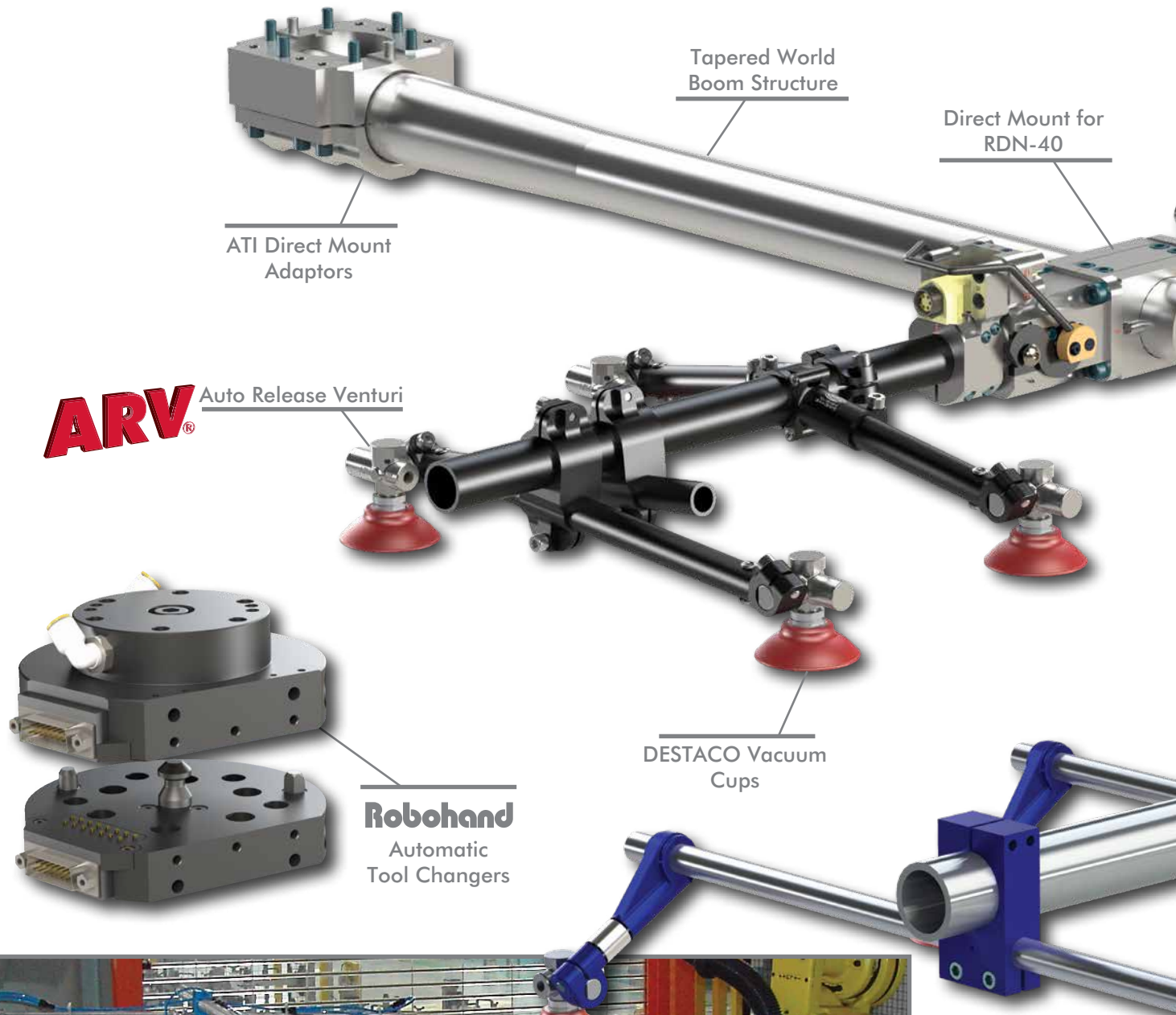
Table of Contents

	Low-Profile Wrist Brackets and Blocks.....	33
	Elbow and Straight Transition Brackets.....	34
	Swivel Arms	36
	Single End Extensions	57
	Nest Pad Brackets.....	59
	Proximity Switch Mount.....	63
	Proximity Switch Bumpers	64
	Nest Pad Guides	65
	Nest Pad Blocks.....	67
	Plastics - Blue Slice	69
	Tool Storage.....	70

ROUND TOOLING SYSTEMS

World Tool System Example with Accelerate® Lightweight Tooling Components

DESTACO's world tool components are configured to handle parts of any size and shape, and can be re-used for future applications.



ROUND TOOLING SYSTEMS

Traditional Round Tooling System Example

Round tooling components are used in combination with the Accelerate® Collection for lightweight tooling solutions



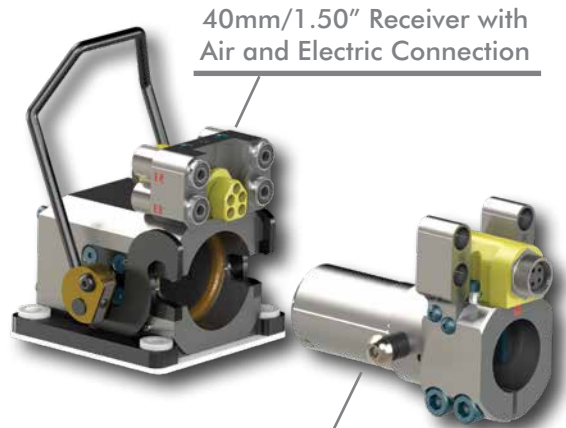
Most commonly used in:

Applications	Markets
Load/Unload	Automotive
Pick and Place	Industrial
Material Handling	Appliance
Hot Forming	Plastics



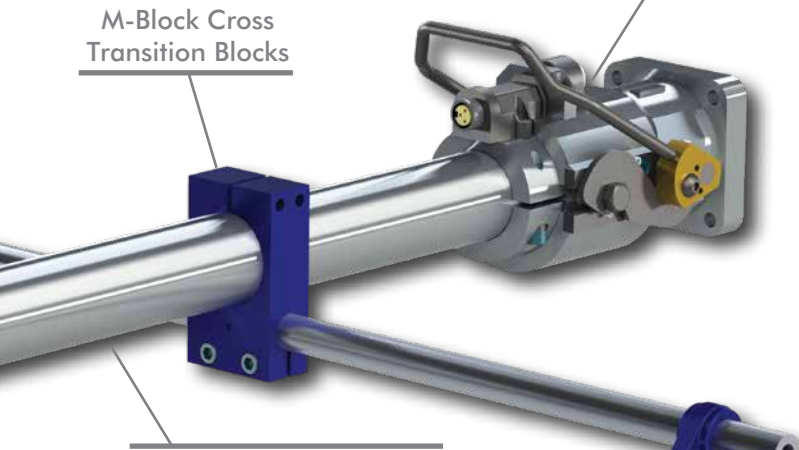
40mm/1.50" Quick Disconnect

60mm/2.50" Quick Disconnect with Electric Connection



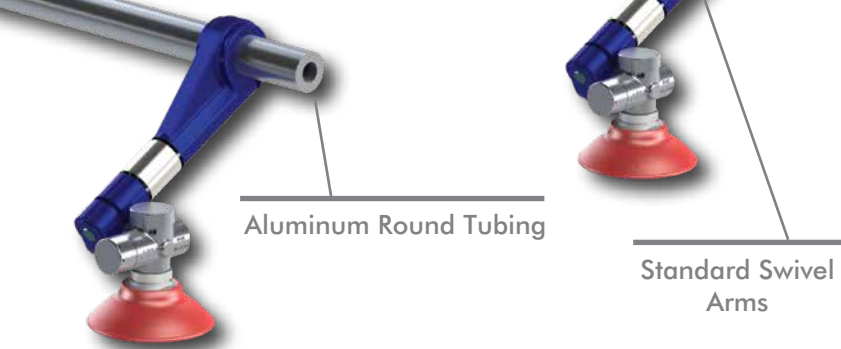
40mm/1.50" Receiver with Air and Electric Connection

40mm/1.50" Receiver with Air and Electric Connection



M-Block Cross Transition Blocks

Aluminum Round Tubing (also available slotted)



Aluminum Round Tubing

Standard Swivel Arms

Hot Forming Solutions



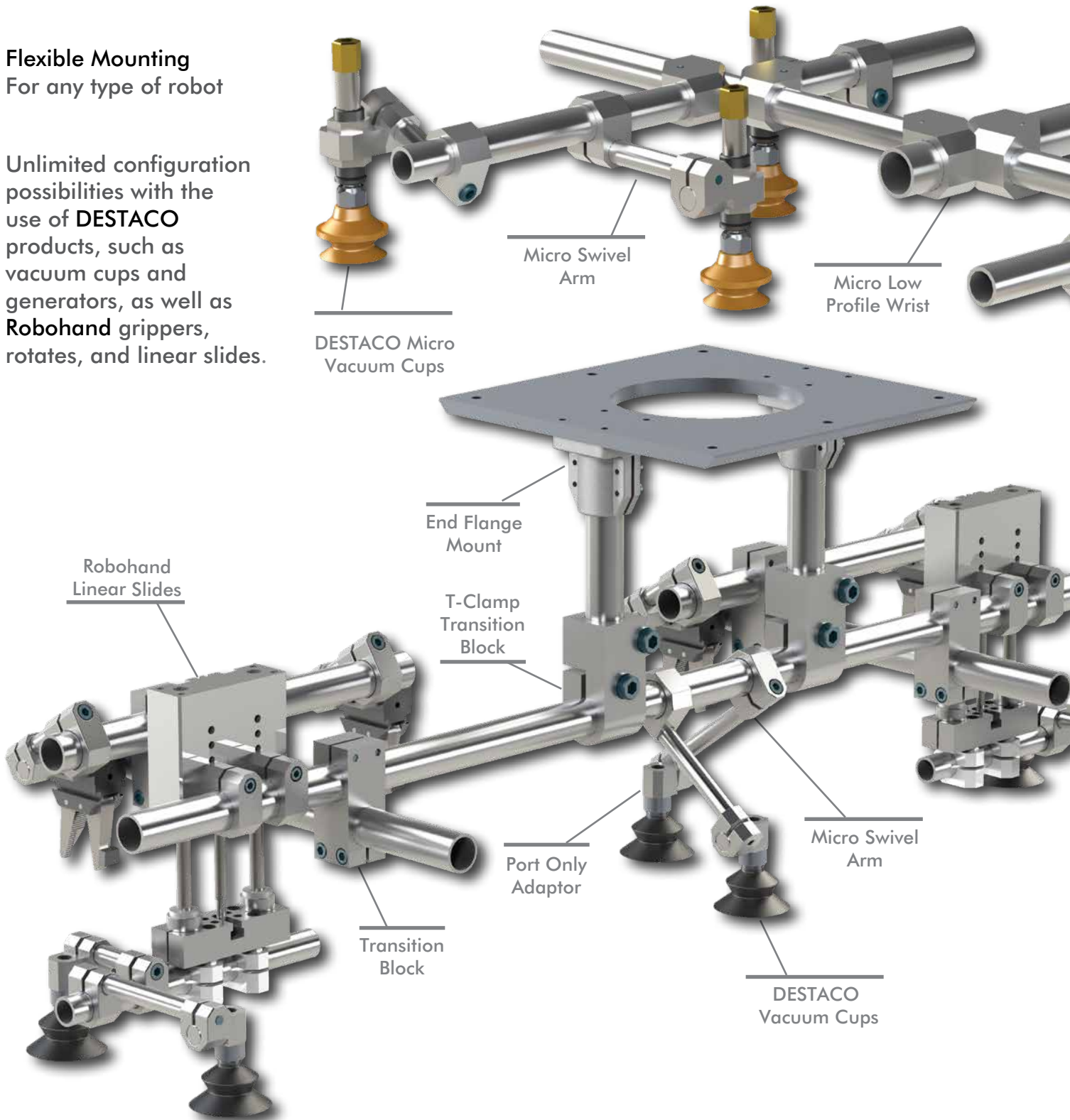
ROUND TOOLING SYSTEMS

Micro Round Tooling System Example

A family within the traditional round tooling system, **micro tooling components** are made from lightweight aluminum with thin wall tubing. This system is designed to handle small, lightweight parts, plastic injection mold unloading, and unusual shaped objects.

Flexible Mounting
For any type of robot

Unlimited configuration possibilities with the use of DESTACO products, such as vacuum cups and generators, as well as Robohand grippers, rotates, and linear slides.



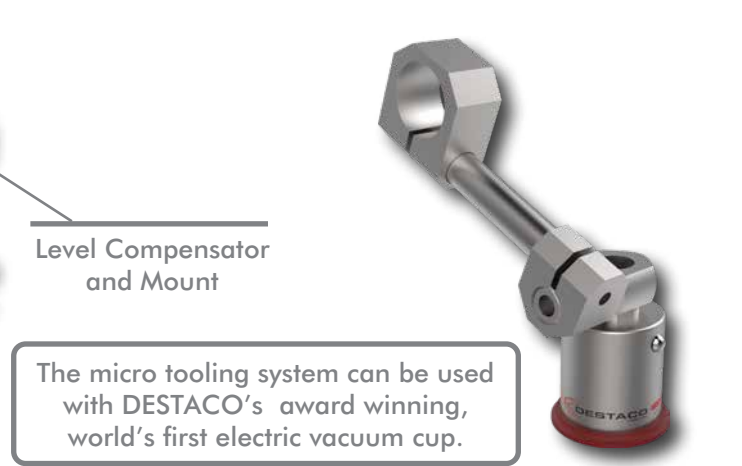
ROUND TOOLING SYSTEMS

Micro Round Tooling System Example

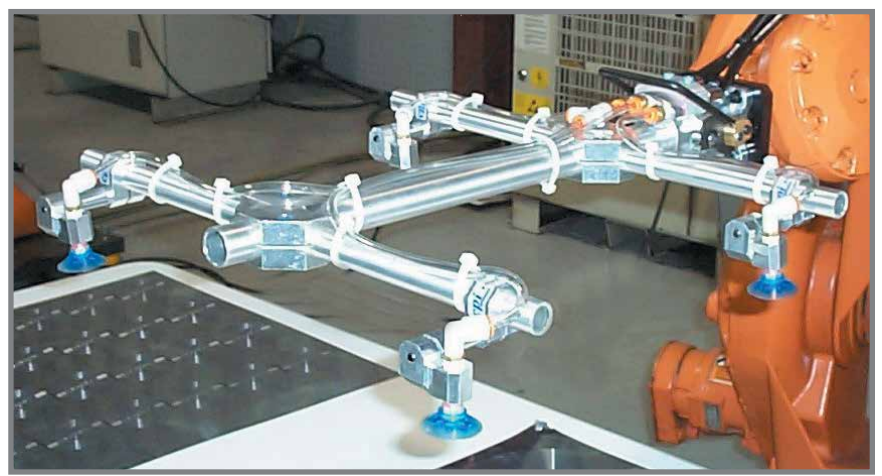
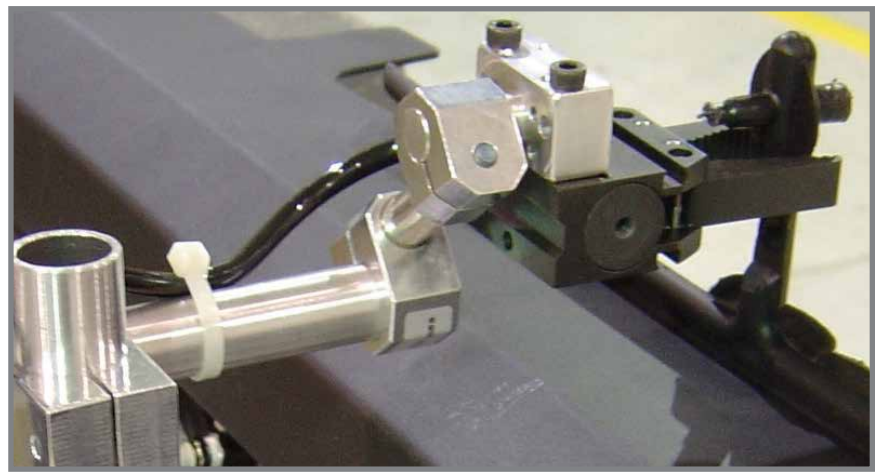


Most commonly used in:

Applications	Markets
Pick and Place	Medical
Material Handling	Industrial
Plastic Injection	Consumer
Vision/Testing	Food and Packaging



The micro tooling system can be used with DESTACO's award winning, world's first electric vacuum cup.

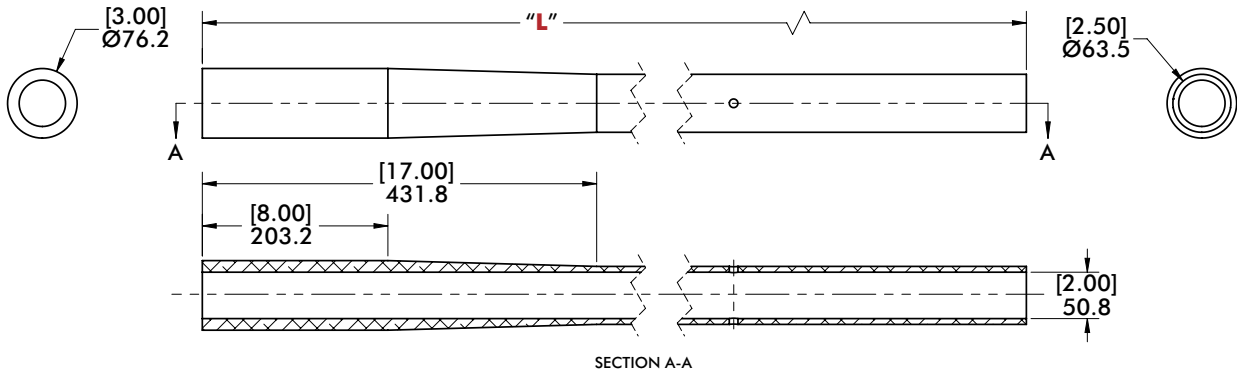
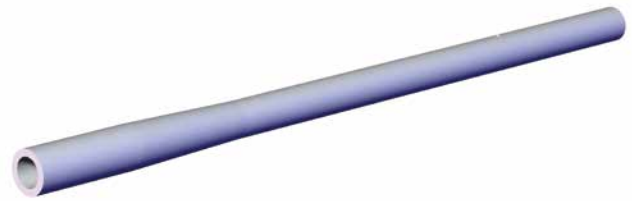


Micro round tooling systems can be permanently mounted to the robot with a direct mount or with manual or automatic tool changers. Optional quick disconnect air ports provides a simple connection point for air supply when changing between different tooling configurations.

WORLD TOOL BOOMS

Round Tooling | Dimensions | Technical Specifications

PAT Ø3.00" Tapered Aluminum Main Booms



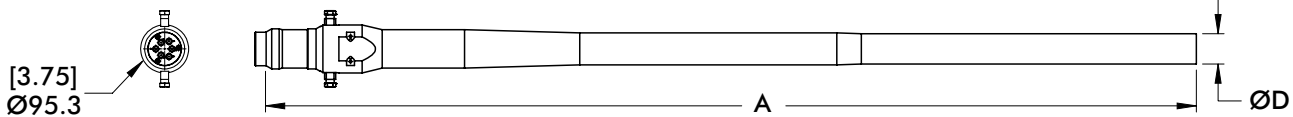
Model	"L"	Weight
CPI-PAT-30TP-0M-1600	[62.99] 1600.0	[13.43 lb] 6.09 kg
CPI-PAT-30TP-0M-30	[30.00] 762.0	[7.91 lb] 3.59 kg
CPI-PAT-30TP-0M-34	[34.00] 863.6	[8.58 lb] 3.89 kg
CPI-PAT-30TP-0M-36	[36.00] 914.4	[8.91 lb] 4.04 kg
CPI-PAT-30TP-0M-60	[60.00] 1524.0	[12.95 lb] 5.87 kg

Model	"L"	Weight
CPI-PAT-30TP-1M-55	[55.00] 1397.0	[12.08 lb] 5.48 kg
CPI-PAT-30TP-1M-60	[60.00] 1524.0	[12.95 lb] 5.87 kg
CPI-PAT-30TP-1M-64	[64.00] 1625.6	[13.60 lb] 6.17 kg
CPI-PAT-30TP-2M-55	[55.00] 1397.0	[12.08 lb] 5.48 kg

WTTB World Tool Bayonet Boom

Material: Aluminum

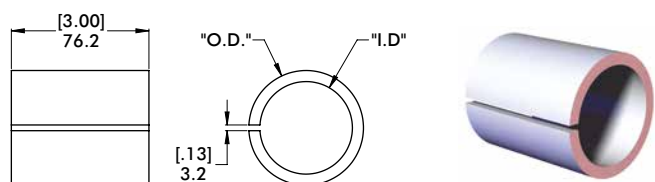
Part Number	ØD	A	Weight
CPI-WTTB-RDC-A6-EL10-60-2000	60mm	2000mm	9.3kg [20.50 lb]
CPI-WTTB-RDC-A6-EL10-25-64	2.5 in	64 in	8.0kg [17.60 lb]



CB Aluminum Bushing

For use in cooperation with Clamp Blocks.

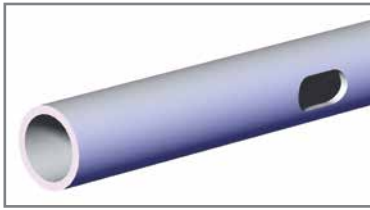
Model	(Ø)"O.D."	(Ø)"I.D."	Weight
CPI-CB-15-10	1.50"(in)	1.00"(in)	[.76 lb] .34 kg
CPI-CB-20-15	2.00"(in)	1.50"(in)	[.81 lb] .37 kg
CPI-CB-25-20	2.50"(in)	2.00"(in)	[.81 lb] .37 kg



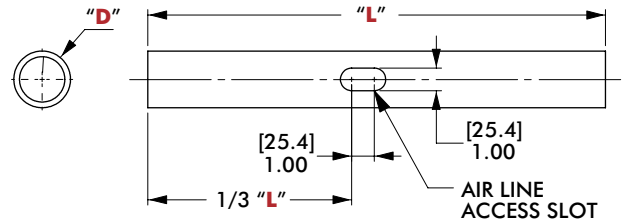
TUBES AND RODS

Round Tooling | Dimensions | Technical Specifications

BT1 Slotted Aluminum Boom/Tubing

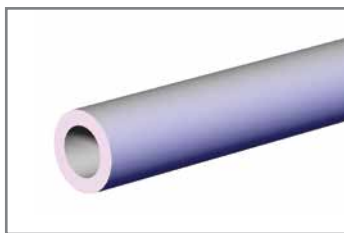


"L" = Specify Length
in 6.00" or 150mm Increments
English Example:
CPI-BT1-150-7S-06 (6.00")
Metric Example:
CPI-BT1-150-7S-150 (150mm)

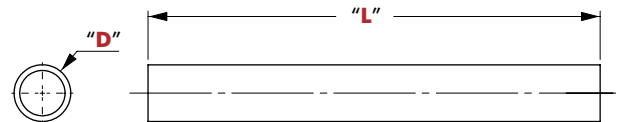


Model	(Ø) "D"	Wall Thickness	Weight	Linear Deflection	Torsional Twist
CPI-BT1-150-7S-"L"	1.50"(in)	[0.25"] 6.35mm	[1.2 lb/ft] 1.8 kg/m	5.6mm [0.22"] @ 100lb/24.00"	.3.1° @ 300ft-lbs
CPI-BT1-250-9S-"L"	2.50"(in)	[0.25"] 6.35mm	[2.1 lb/ft] 3.1 kg/m	12.7mm [0.50"] @ 150lb/48.00"	2.3° @ 600ft-lbs
CPI-BT1-2538-9S-"L"	2.50"(in)	[0.375"] 9.53mm	[2.9 lb/ft] 4.3 kg/m	10.2mm [0.40"] @ 150lb/48.00"	1.8° @ 600ft-lbs
CPI-BT1-60-9S-"L" (Metric)	60mm	[0.20"] 5mm	[1.6 lb/ft] 2.4 kg/m	17.8mm [0.70"] @ 150lb/48.00"	3.3° @ 600ft-lbs

PAT Aluminum Tubing



"L" = Specify Length
in 6.00" or 150mm Increments
English Example:
CPI-PAT-15-06 (6.00")
Metric Example:
CPI-PAT-40-150 (150mm)

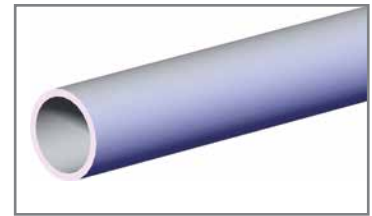
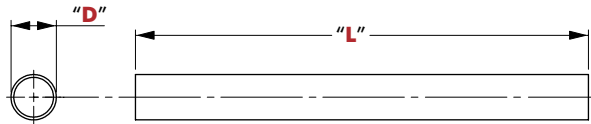


Model	(Ø) "D"	Wall Thickness	Weight	Linear Deflection	Torsional Twist
CPI-PAT-1025-"L"	1.00"(in)	[0.25"] 6.35mm	[0.7 lb/ft] 1.02 kg/m	1.5mm [0.06"] @ 50lb/12.00"	2.4° @ 100ft-lbs
CPI-PAT-12-"L"	1.25"(in)	[0.25"] 6.35mm	[0.9 lb/ft] 1.37kg/m	3.3mm [0.13"] @ 75lb/18.00"	1.6° @ 100ft-lbs
CPI-PAT-15-"L"	1.50"(in)	[0.25"] 6.35mm	[1.2 lb/ft] 1.8 kg/m	5.6mm [0.22"] @ 100lb/24.00"	.3.1° @ 300ft-lbs
CPI-PAT-40-"L" (Metric)	40mm	[0.20"] 5mm	[1.2 lb/ft] 1.8 kg/m	5.6mm [0.22"] @ 100lb/24.00"	3.2° @ 300ft-lbs
CPI-PAT-25-"L"	2.50"(in)	[0.25"] 6.35mm	[2.1 lb/ft] 3.1 kg/m	12.7mm [0.50"] @ 150lb/48.00"	2.3° @ 600ft-lbs
CPI-PAT-60-"L" (Metric)	60mm	[0.20"] 5mm	[1.6 lb/ft] 2.4 kg/m	17.8mm [0.70"] @ 150lb/48.00"	3.3° @ 600ft-lbs
CPI-PAT-2538-"L"	2.50"(in)	[0.375"] 9.53mm	[2.9 lb/ft] 4.3 kg/m	10.2mm [0.40"] @ 150lb/48.00"	1.8° @ 600ft-lbs

TUBING, RODS AND BUSHINGS

Round Tooling | Dimensions | Technical Specifications

PAT Thin Wall Aluminum Tubing



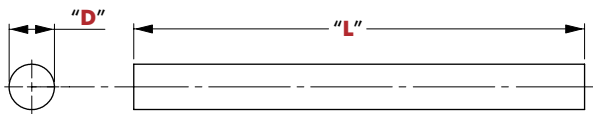
Model	(Ø) "O.D."	Wall Thickness	Weight
CPI-PAT-50T-"L"	0.50"(in)	[0.085"] 2.16mm	[0.13 lb/ft] 193.0 g/m
CPI-PAT-75T-"L"	0.75"(in)	[0.085"] 2.16mm	[0.20 lb/ft] 309.3 g/m
CPI-PAT-10T-"L"	1.00"(in)	[0.085"] 2.16mm	[0.28 lb/ft] 425.6 g/m

"L" = Specify Length

Standard Lengths

04 (4.00")
06 (6.00")
08 (8.00")
10 (10.00")
12 (12.00")
24 (24.00")
36 (36.00")

PAB Aluminum Rods



"L" = Specify Length

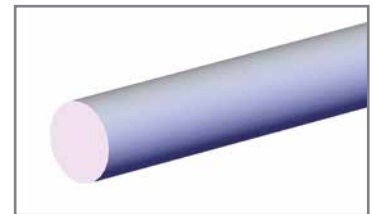
in 6.00" or 150mm Increments

English Example:

CPI-PAB-10-06 (6.00")

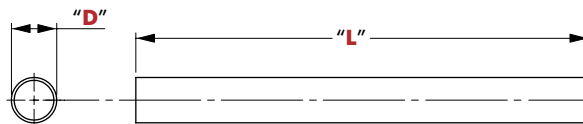
Metric Example:

CPI-PAB-25-150 (150mm)



Model	(Ø) "D"	Wall Thickness	Weight	Linear Deflection	Torsional Twist
CPI-PAB-10-"L"	1.00"(in)	SOLID BAR	[0.9 lb/ft] 1.4 kg/m	1.52mm [0.06"] @ 50lb/12.00"	.002° @ 100ft-lb
CPI-PAB-25-"L" (Metric)	25.0mm	SOLID BAR	[0.9 lb/ft] 1.4 kg/m	1.52mm [0.06"] @ 50lb/12.00"	.002° @ 100ft-lb

PST Steel Tubing



(L) = Specify Length

PST-10: 150, 200, 225, 250, 275, 300 [mm] (CPI-PST-10-150)

PST-1212: 6, 8, 10, 12, 14, 16, 18 [in] (CPI-PST-1212-6)

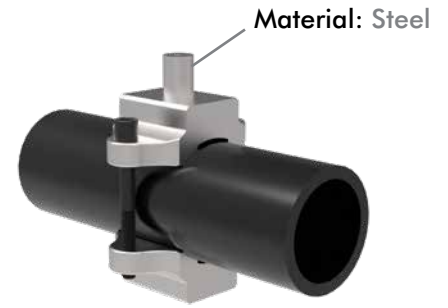
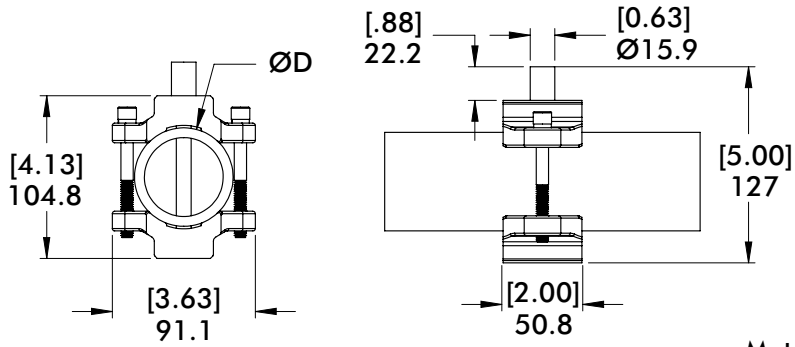
M1512: 125, 160, 300, 350, 350, 600, 900 [mm] (M1512-150)

Model	(Ø) "D"	Wall Thickness	Weight	Linear Deflection	Torsional Twist
CPI-PST-10-"L"	1.00"(in)	3.18mm [0.125"]	1.8 kg/m [1.2 lb/ft]	0.9mm [0.003"] @ 50lb/12.00"	.001° @ 100ft-lb
CPI-PST-1212-"L"	1.25"(in)	3.18mm [0.125"]	2.2 kg/m [1.5 lb/ft]	0.3mm [0.001"] @ 50lb/12.00"	.001° @ 100ft-lb

Model	(Ø) "O.D."	Wall Thickness	Weight
M1512-"L"	1.00"(in)	3.0mm [0.12"]	1.5 kg/m [1.03 lb/ft]

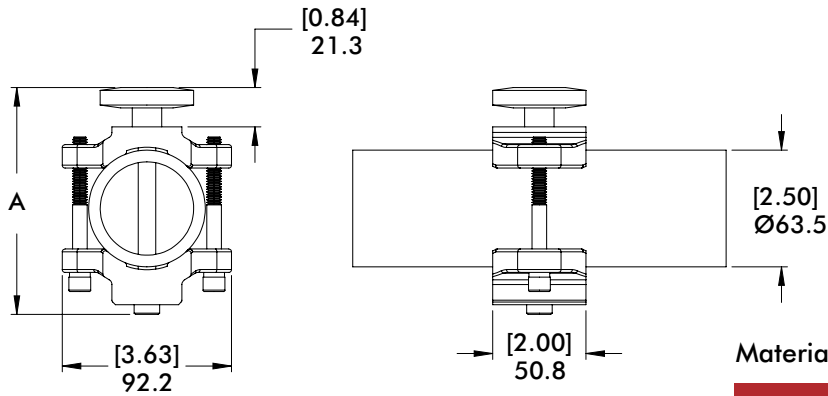
SINGLE MUSHROOM TOOL HOLDER

Round Tooling | Dimensions



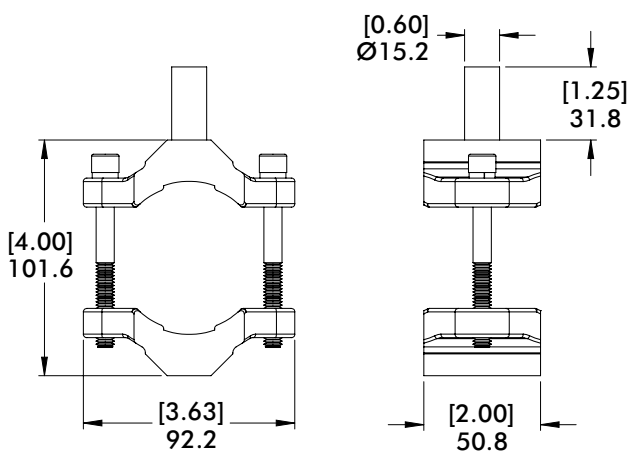
Material: Aluminum

Model Number	ØD	Weight
CPI-THM-250-POST	2.5 in	499g [1.10 lb]
CPI-THM-60-POST	60mm	499g [1.10 lb]



Material: Aluminum

Model Number	A	Weight
CPI-THM-250	122.7 [4.83]	635g [1.40 lb]
CPI-THM-250-WTTB	127 [5.00]	590g [1.30 lb]

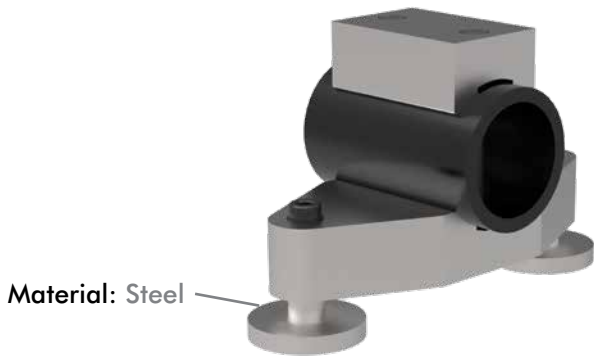


Material: Aluminum

Model Number	Weight
CPI-THM-250-SVP	408g [0.90 lb]

DOUBLE MUSHROOM TOOL HOLDER

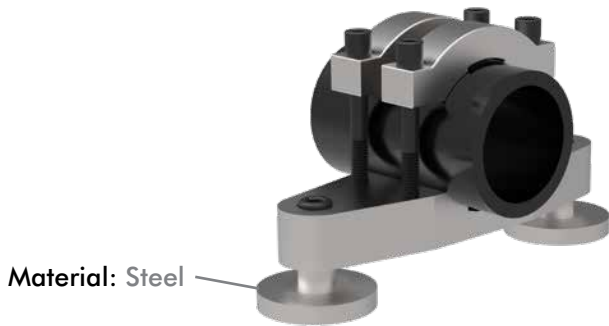
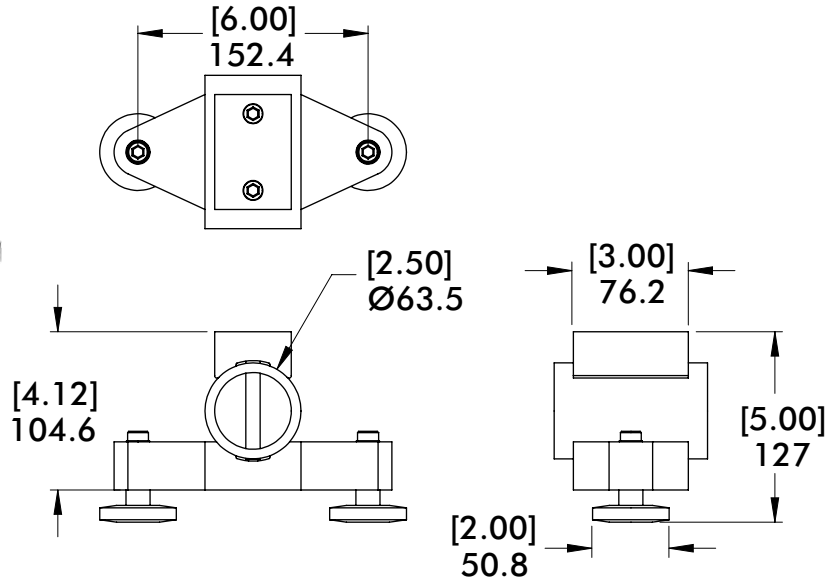
Round Tooling | Dimensions



Material: Steel

Material: Aluminum

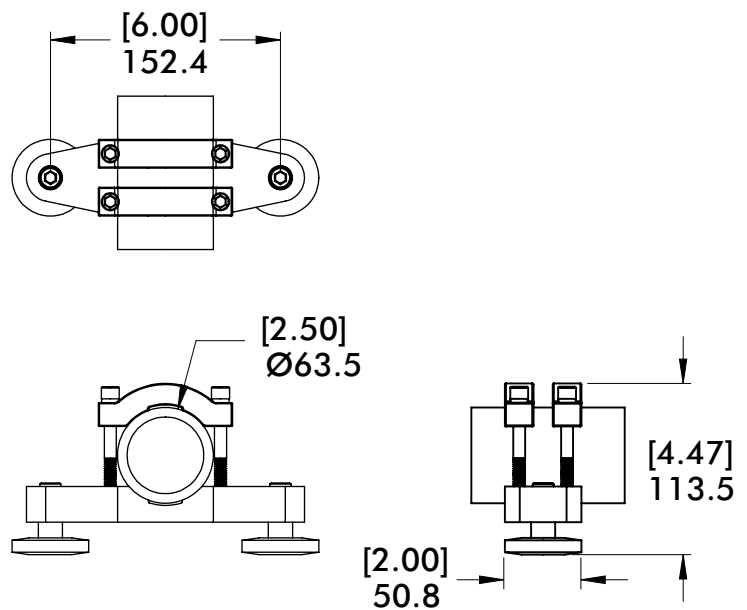
Model Number	Weight
CPI-THM-250-DBL	1.54g [3.40 lb]



Material: Steel

Material: Aluminum

Model Number	Weight
CPI-THM-250-DBL-WTTB	1.09g [2.40 lb]

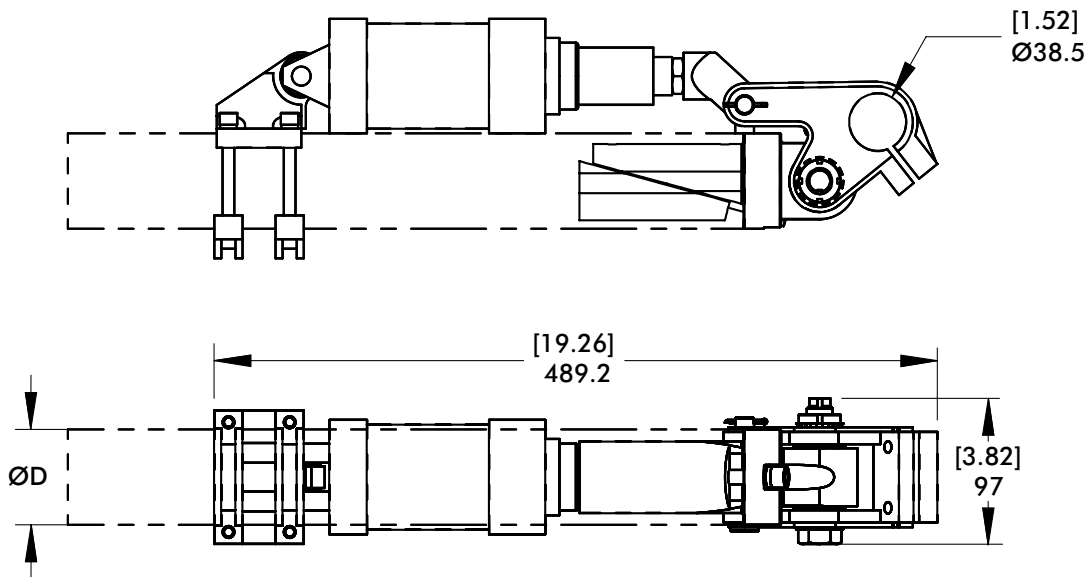
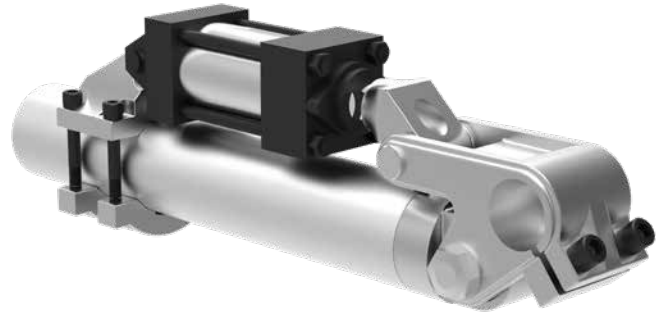


WRIST ROTATE ASSEMBLY

Round Tooling | Dimensions | Technical Specifications

Features:

- These self-contained tip units are designed for use with dual-axis loaders and unloaders.
- The amount of rotation can be adjusted with the use of a cylinder stop tube.
- The unique wedge-lock uses frictional force to secure the unit within the tubing.
(U.S. Patent No. 5,411,232)
- * Rotation is controlled by adjusting the length of a stop tube and limiting the stroke of the cylinder
- A rod extension is used to move the cylinder away from the rotate point. To order the rod extension separately, the part number is CPI-CRE-10-[Length]



Model Number	ØD	Weight
CPI-WRWM-45	60mm	[8.5 lb] 3.9 kg
CPI-WRWM-90	60mm	[10.5 lb] 4.8 kg



Base Model WRWM
Wrist Rotate Assembly
(Metric Version)

Rotation

- 45** 0° - 45°
- 90** 0° - 90°

Cylinder Bore

- 00** No Cylinder Provided
- 50** 50 mm
- 60** 60 mm

Model Number	ØD	Weight
CPI-WRW-45	2.50 in	[8.5 lb] 3.9 kg
CPI-WRW-90	2.50 in	[10.5 lb] 4.8 kg



Base Model WRW
Wrist Rotate Assembly

Rotation

- 45** 0° - 45°
- 90** 0° - 90°

Cylinder Bore

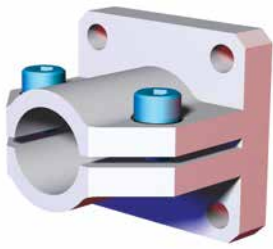
- 00** No Cylinder Provided
- 20** 2.00"
- 25** 2.50"

FLANGE END MOUNT BRACKET AND BLOCKS

Round Tooling | Dimensions | Technical Specifications

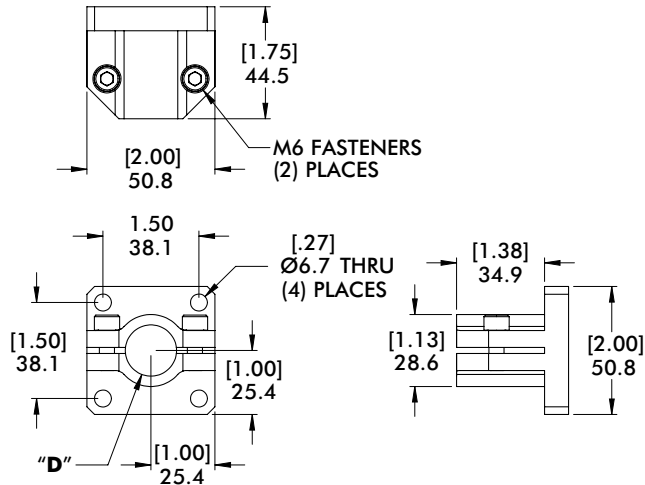
Nominal (\varnothing) given
See chart on Page 72
for actual (\varnothing) size

CLM-xxx-15F End Flange Mount for \varnothing 20mm/0.75" Tube (Micro)



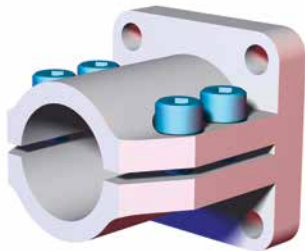
Specifications:

Max. Static Clamp Load:
20.3 N*m [15 ft-lb]
Material: Aluminum



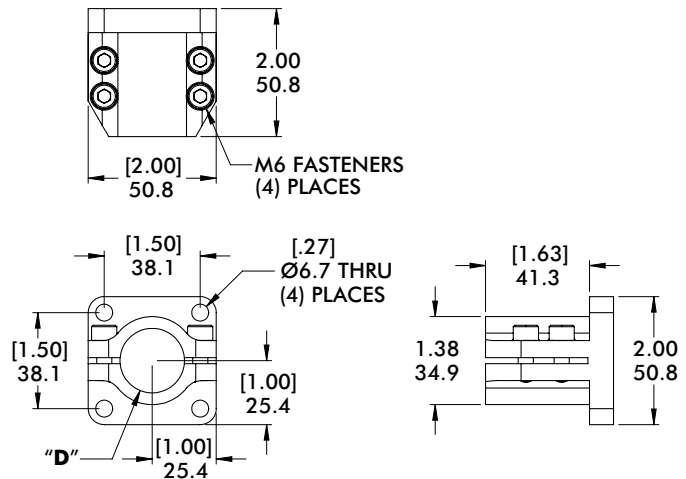
Model Number	(\varnothing) "D"	Weight
CPI-CLM-20M-15F	20mm	[.26 lb] .12 kg
CPI-CLM-75-15F-ATI	.75"(in)	[.32 lb] .14 kg

CLM-xxx-15F End Flange Mount for \varnothing 25mm/1.00" Tube (Micro)



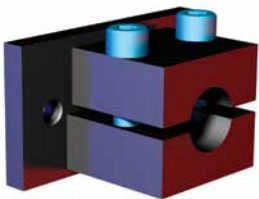
Specifications:

Max. Static Clamp Load:
40.7 N*m [30 ft-lb]
Material: Aluminum



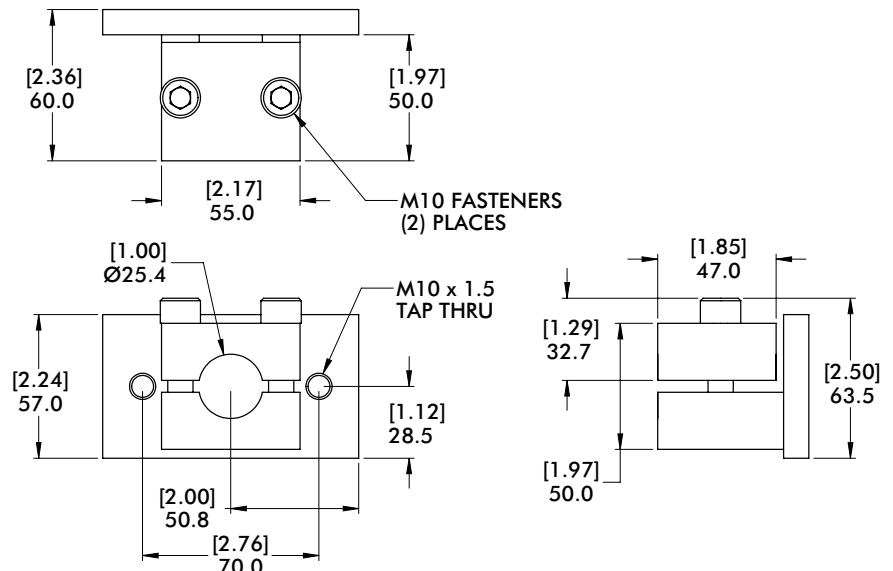
Model Number	(\varnothing) "D"	Weight
CPI-CLM-25M-15F	25mm	[.32 lb] .14 kg
CPI-CLM-10-15F	1.00"(in)	

M1511 End Flange Mount for \varnothing 1.00" Tube



Specifications:

Max. Static Clamp Load:
203 N*m [150 ft-lb]
Material: Aluminum



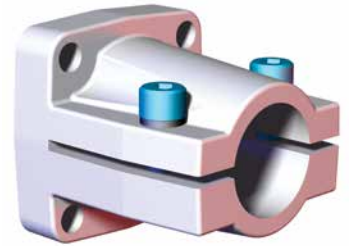
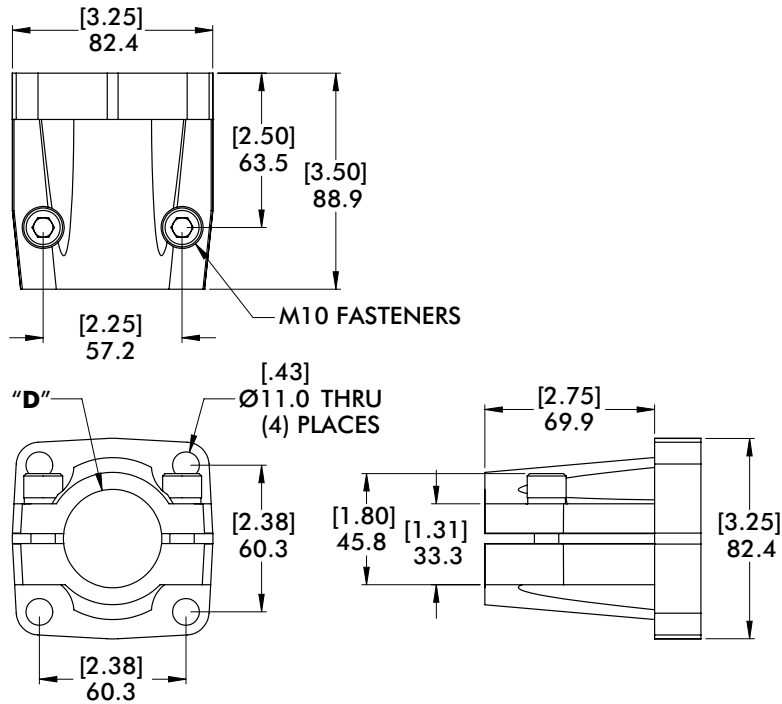
Model Number	Weight
M1511	[1.08 lb] .49 kg

FLANGE END MOUNT BRACKET AND BLOCKS

Nominal (Ø) given
See chart on Page 72
for actual (Ø) size

Round Tooling | Dimensions | Technical Specifications

KL/CL End Flange Mount for Ø40mm/1.50" Tube

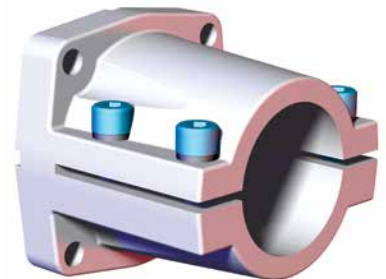
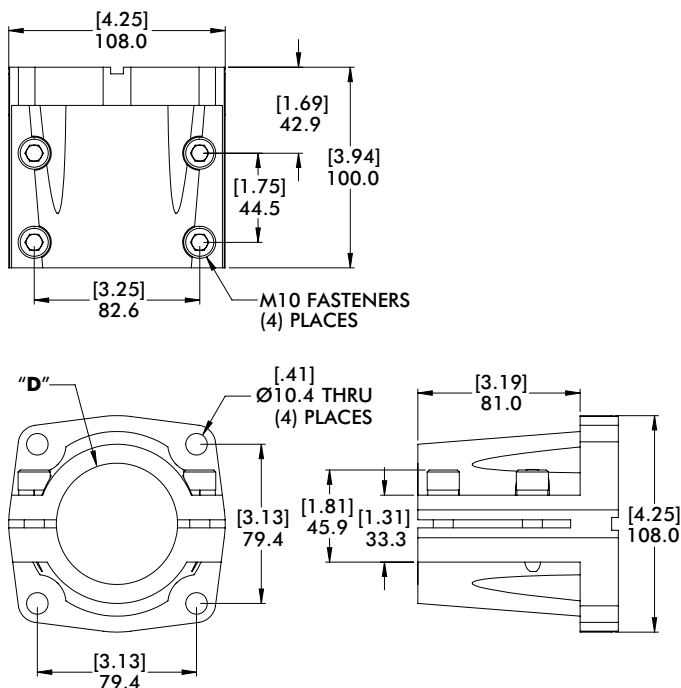


Specifications:

Max. Static Clamp Load:
203 N*m [150 ft-lb]
Material: Aluminum

Model Number	(Ø)"D"	Weight
CPI-KL-40-60F	40mm	[1.55 lb] .70 kg
CPI-CL-15-238F	1.50"(in)	[1.61 lb] .73 kg

KL/CL End Flange Mount for Ø60mm/2.50" Tube



Specifications:

Max. Static Clamp Load:
675 N*m [500 ft-lb]
Material: Aluminum

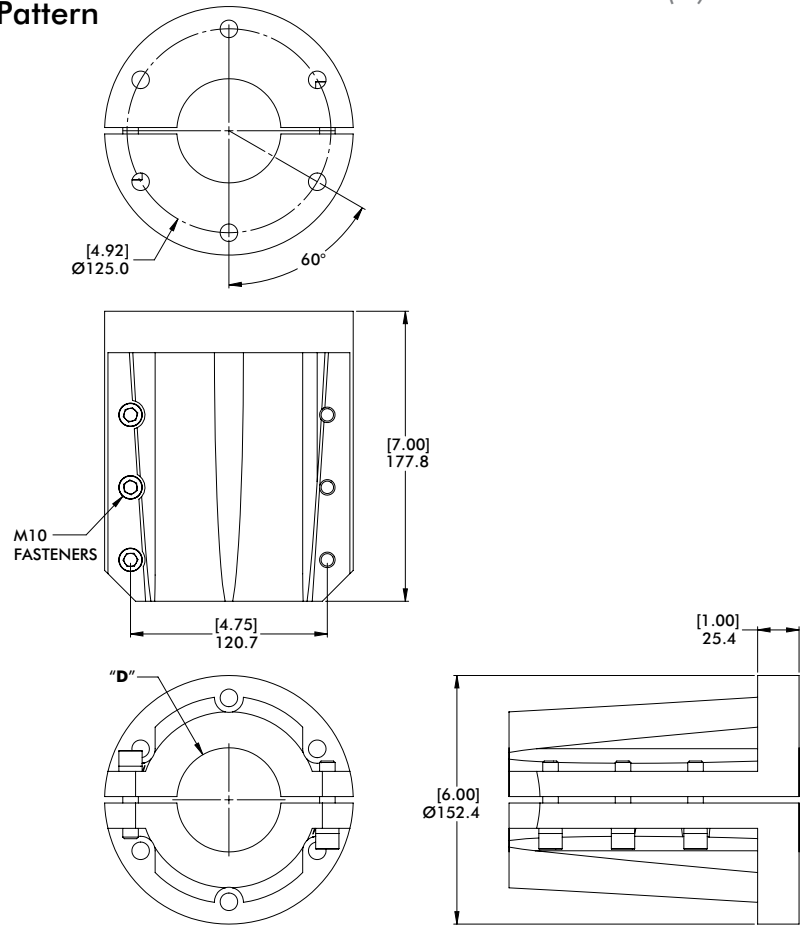
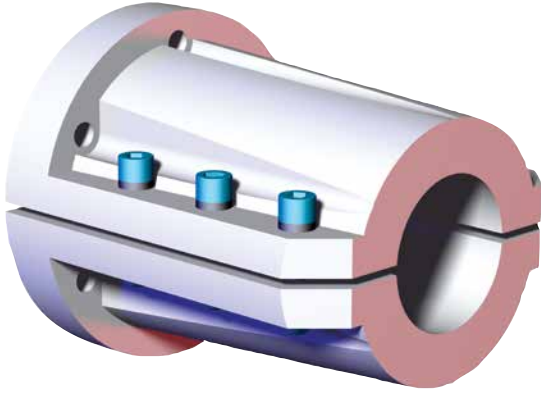
Model Number	(Ø)"D"	Weight
CPI-KL-60-78F	60mm	[2.73 lb] 1.24 kg
CPI-CL-25-312F	2.50"(in)	[2.52 lb] 1.14 kg

FLANGE END MOUNT BRACKET AND BLOCKS

Round Tooling | Dimensions | Technical Specifications

Nominal (Ø) given
See chart on Page 72
for actual (Ø) size

CL End Flange Mount with Ø125mm Bolt Pattern



Specifications:

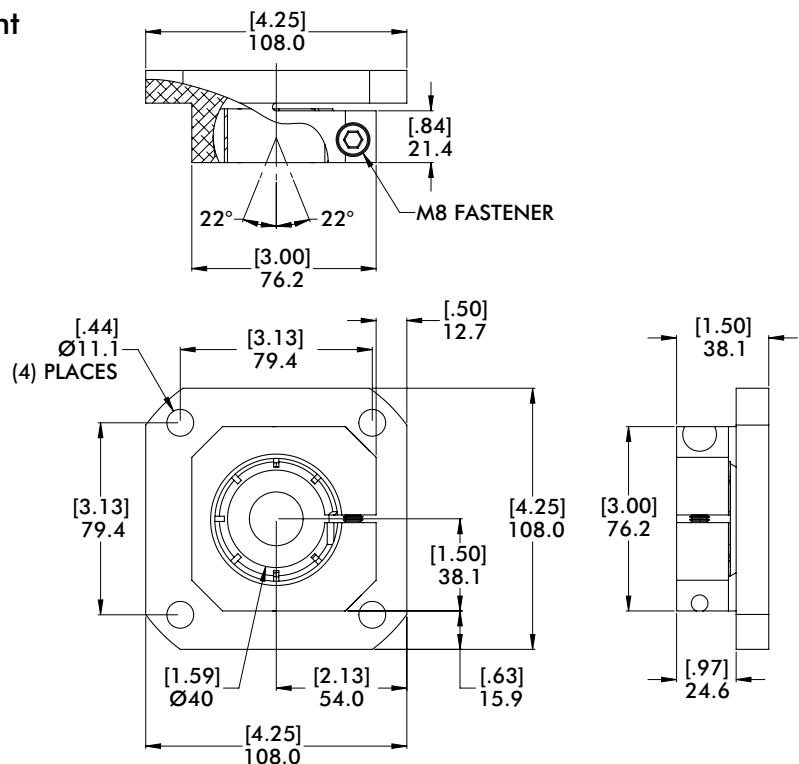
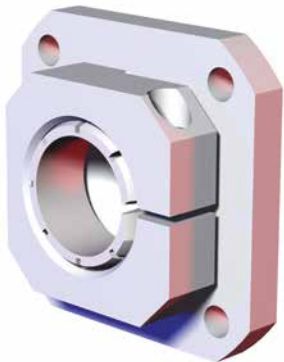
Max. Static Clamp Load:

746 N*m [550 ft-lb]

Material: Aluminum

Model Number	(Ø) "D"	Weight
CPI-CL-60-125F	60mm	[9.86 lb] 4.47 kg
CPI-CL-250-125F	2.50"(in)	[10.20 lb] 4.63 kg
CPI-CL-300-125F	3.00"(in)	[8.70 lb] 3.95 kg

RJM Ø40mm Spherical Flange End Mount



Specifications:

Max. Static Clamp Load:

203 N*m [150 ft-lb]

Material: Aluminum

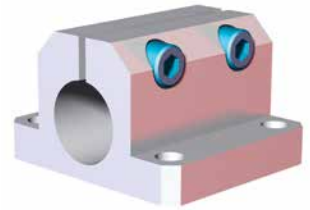
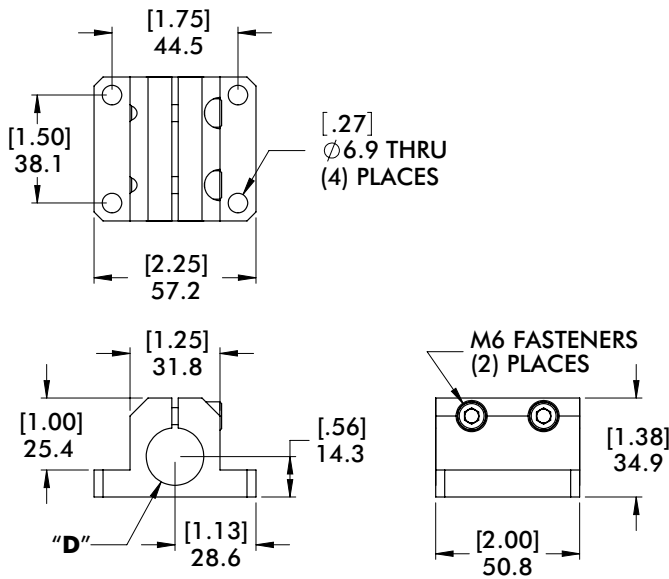
Model Number	Weight
CPI-RJM-78F-40S	[1.54 lb] .70 kg

FLANGE MID MOUNT BRACKETS AND BLOCKS

Nominal (Ø) given
See chart on Page 72
for actual (Ø) size

Round Tooling | Dimensions | Technical Specifications

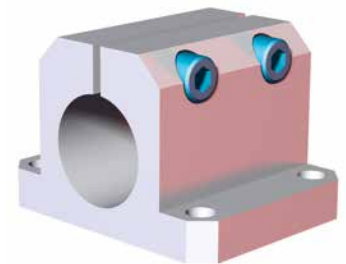
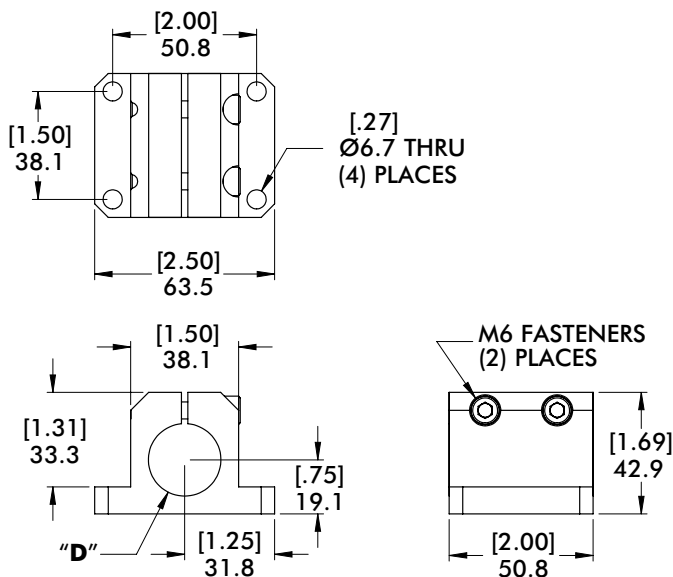
CLM-xxx-1517F-90 Mid Flange Mount for Ø20mm/0.75" Tube (Micro)



Specifications:
Max. Static Clamp Load:
47.5 N*m [35 ft-lb]
Material: Aluminum

Model Number	(Ø)"D"	Weight
CPI-CLM-20M-1517F-90	20mm	[.33 lb] .14 kg
CPI-CLM-75-1517F-90	.75"(in)	[.35 lb] .16 kg

CLM-xxx-152F-90 Mid Flange Mount for Ø25mm/1.00" Tube (Micro)



Specifications:
Max. Static Clamp Load:
81.4 N*m [60 ft-lb]
Material: Aluminum

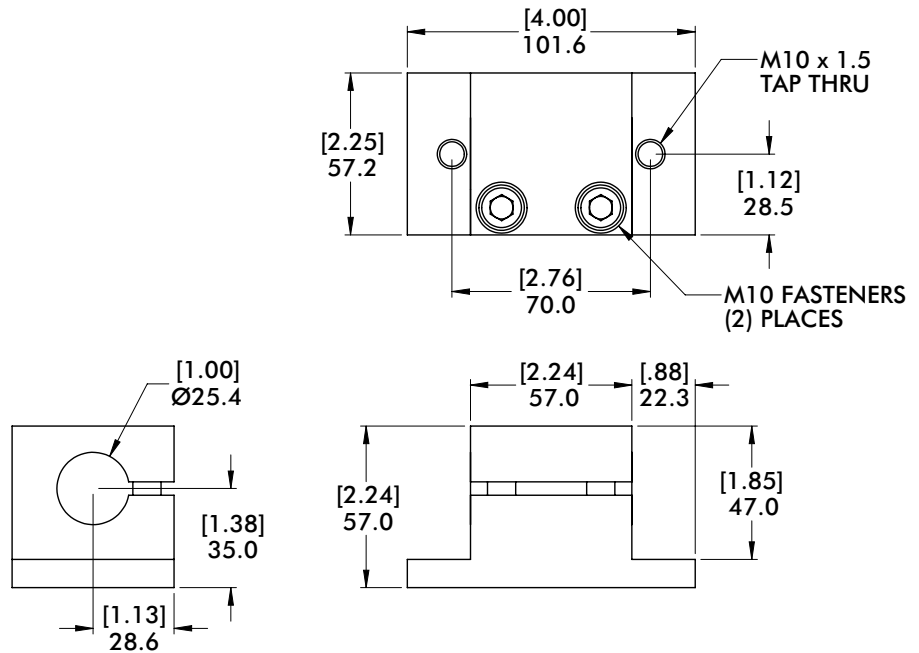
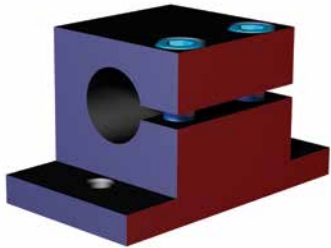
Model Number	(Ø)"D"	Weight
CPI-CLM-25M-152F-90	25mm	[.41 lb] .19 kg
CPI-CLM-10-152F-90	1.00"(in)	

FLANGE MID MOUNT BRACKETS AND BLOCKS

Round Tooling | Dimensions | Technical Specifications

Nominal (\emptyset) given
See chart on Page 72
for actual (\emptyset) size

M-1509 Inline End Flange Mount for $\emptyset 1.00''$ Tube



Specifications:

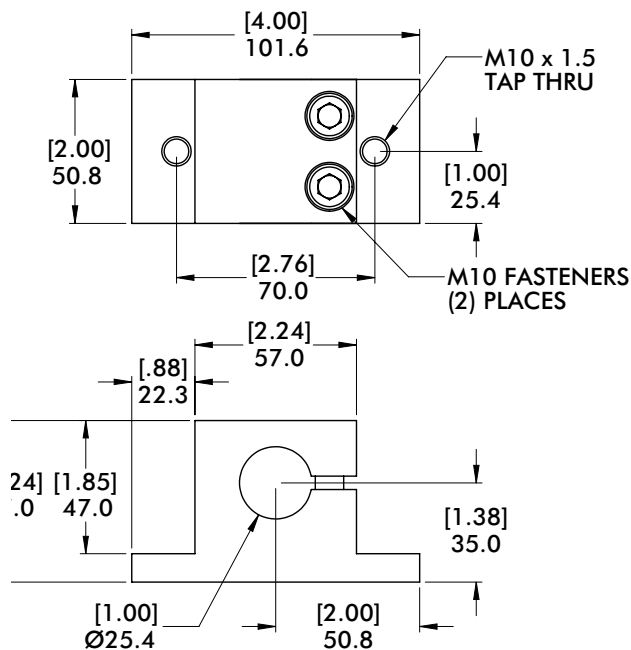
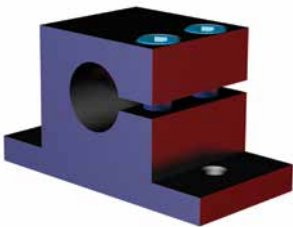
Max. Static Clamp Load:

203 N*m [150 ft-lb]

Material: Aluminum

Model Number	Weight
M1509	[.99 lb] .45 kg

M-1510 End Flange Mount for $\emptyset 1.00''$ Tube



Specifications:

Max. Static Clamp Load:

203 N*m [150 ft-lb]

Material: Aluminum

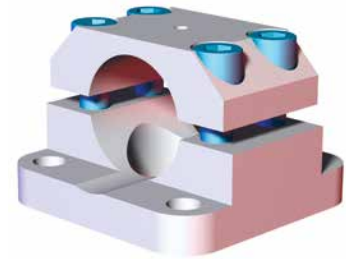
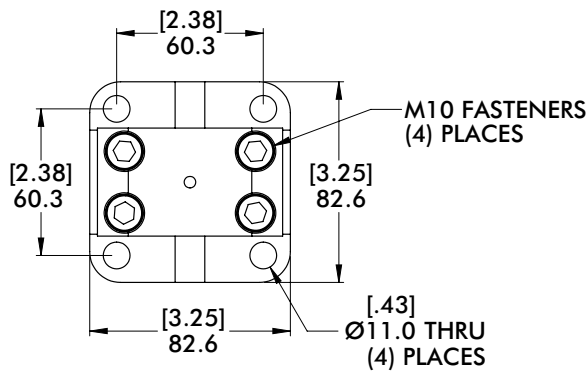
Model Number	Weight
M1510	[.87 lb] .39 kg

FLANGE MID MOUNT BRACKETS AND BLOCKS

Nominal (Ø) given
See chart on Page 72
for actual (Ø) size

Round Tooling | Dimensions | Technical Specifications

CL-xx-xxxF-90 Mid Flange Mount for Ø40mm/1.50" Tube

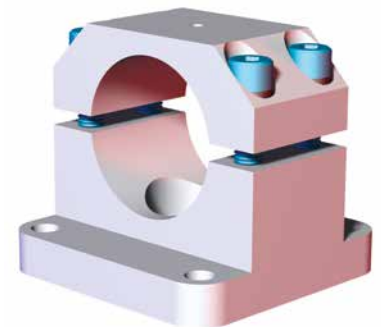
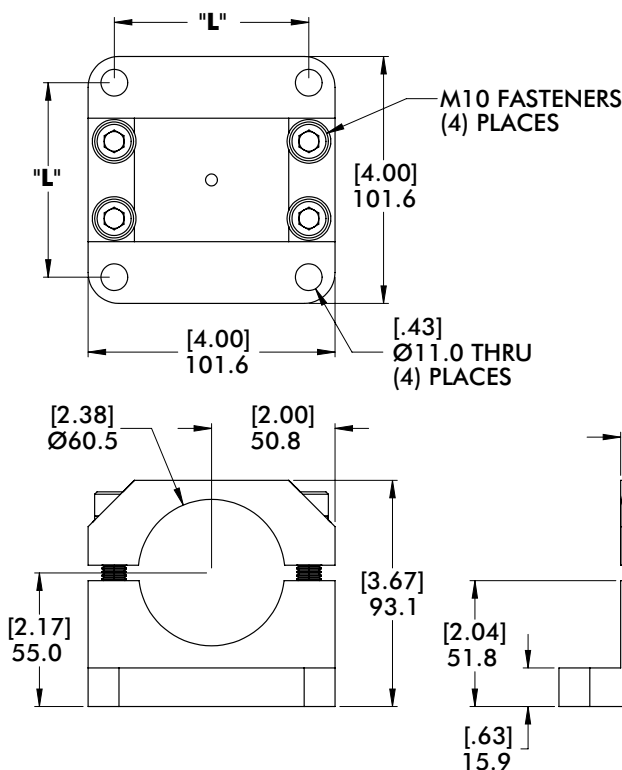


Specifications:

Max. Static Clamp Load:
475 N*m [350 ft-lb]
Material: Aluminum

Model Number	(Ø)"D"	Weight
CPI-KL-40-60F-90	40mm	[1.09 lb] .49 kg
CPI-CL-15-238F-90	1.50"(in)	[1.11 lb] .50 kg

KL-60-xxxF-90 Mid Flange Mount for Ø60mm Tube



Specifications:

Max. Static Clamp Load:
675 N*m [500 ft-lb]
Material: Aluminum

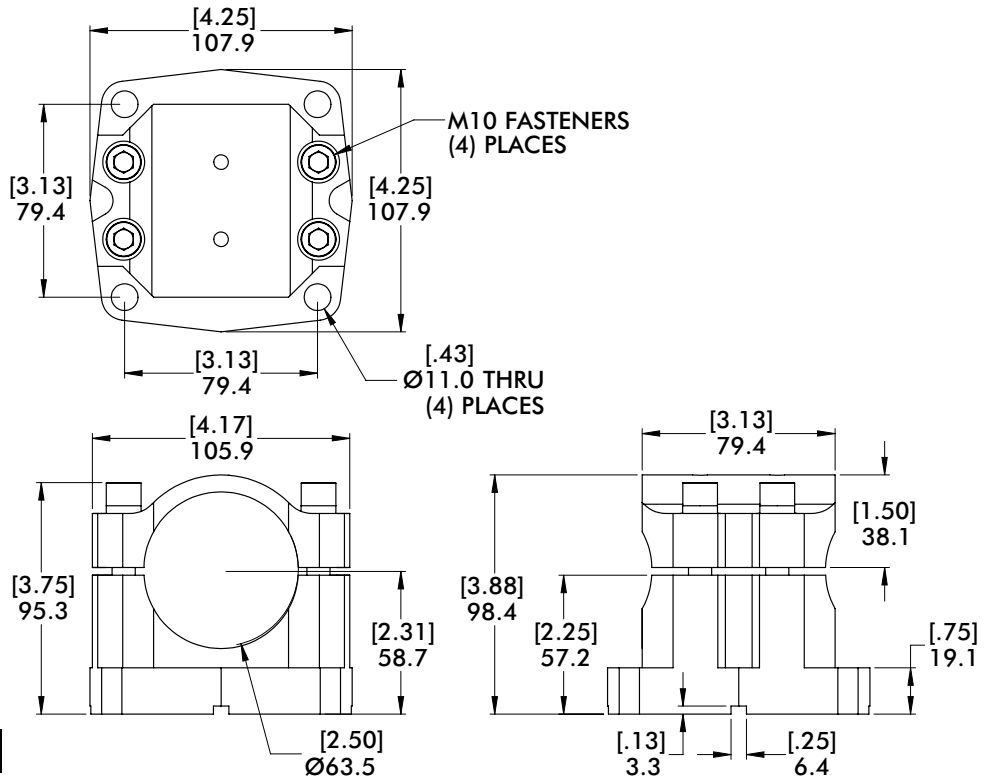
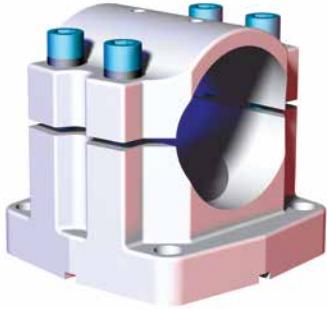
Model Number	"L"	Weight
CPI-KL-60-78F-90	[3.07] 78	[2.24 lb]
CPI-KL-60-80F-90	[3.15] 80	1.02 kg]

FLANGE MID MOUNT BRACKETS AND BLOCKS

Round Tooling | Dimensions | Technical Specifications

Nominal (Ø) given
See chart on Page 72
for actual (Ø) size

CL-25-312F-90 Mid Flange Mount for Ø2.50" Tube



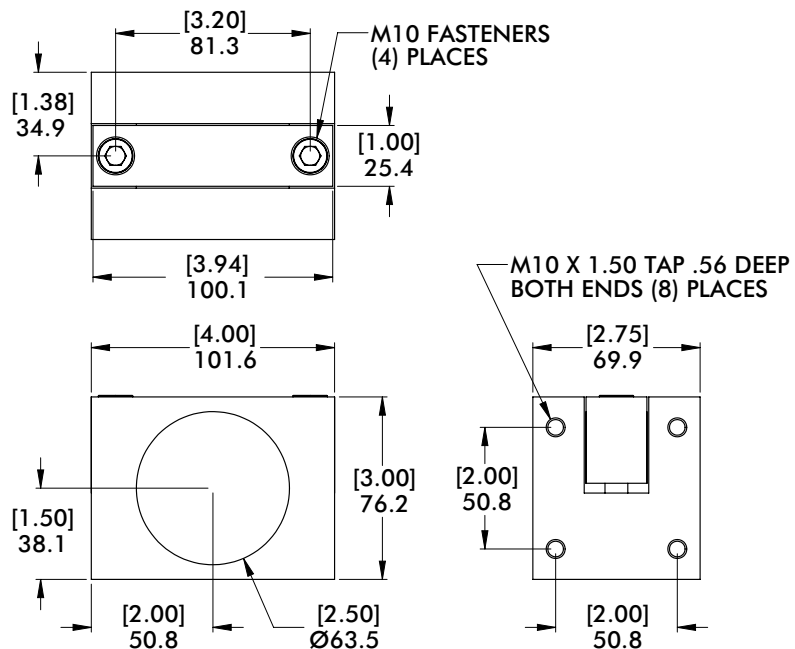
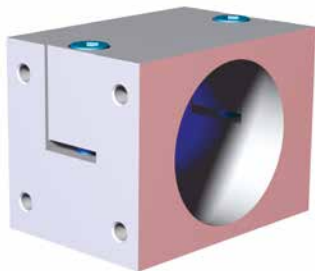
Specifications:

Max. Static Clamp Load:
675 N*m [500 ft-lb]
Material: Aluminum

Model Number	Weight
CPI-CL-25-312F-90	[2.51 lb] 1.14 kg

World Tool Direct Mounts

CL-xx-DM-10F Direct Mount Bracket for 2.50" Tube



Material: Aluminum

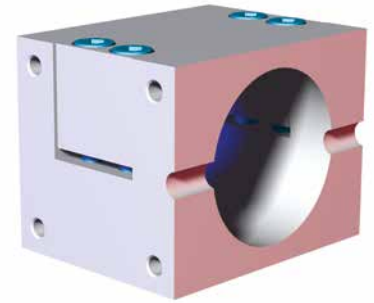
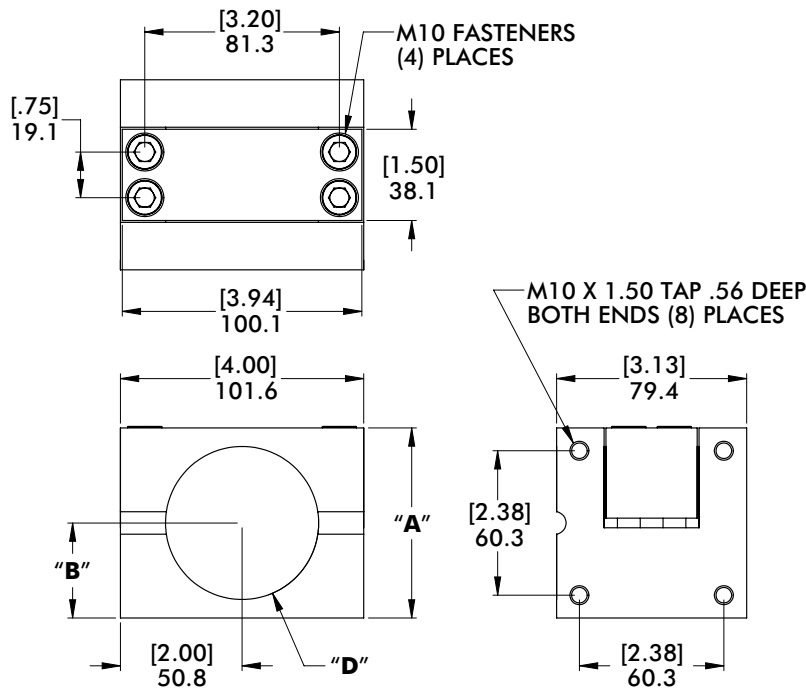
Model Number	Weight
CPI-CL-25-DM-10F	[1.89 lb] .86 kg

WORLD TOOL DIRECT MOUNTS

Round Tooling | Dimensions | Technical Specifications

Nominal (Ø) given
See chart on Page 72
for actual (Ø) size

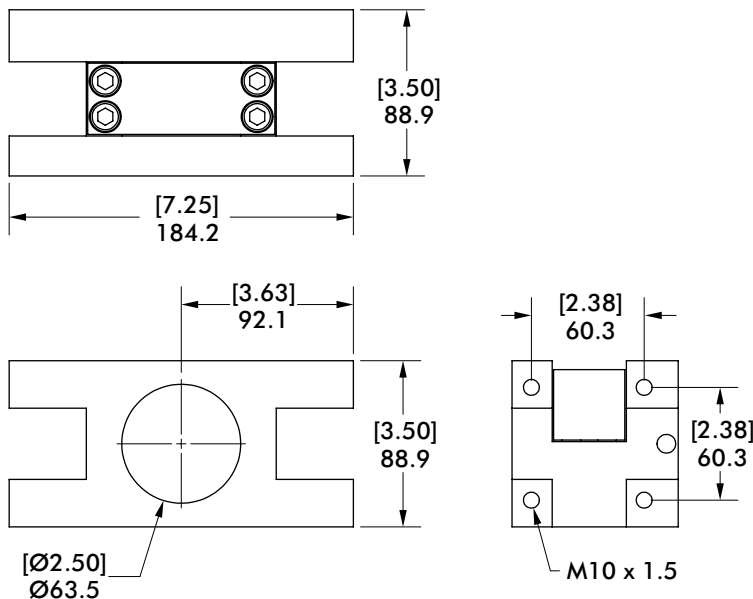
CL-xx-DM-xxF Direct Mount Bracket for Ø60mm/2.50" Tube



Material: Aluminum

Model Number	(Ø)"D"	A	B	Weight
CPI-CL-60-DM-40F	60mm	[3.25] 82.6	[1.63] 41.3	[2.49 lb] 1.13 kg
CPI-CL-25-DM-15F	2.50"(in)	[3.13] 79.4	[1.58] 39.7	[2.36 lb] 1.07 kg

CL-25-DM-15F-EXT Direct Mount Bracket for Ø2.50" Tube



Material: Aluminum

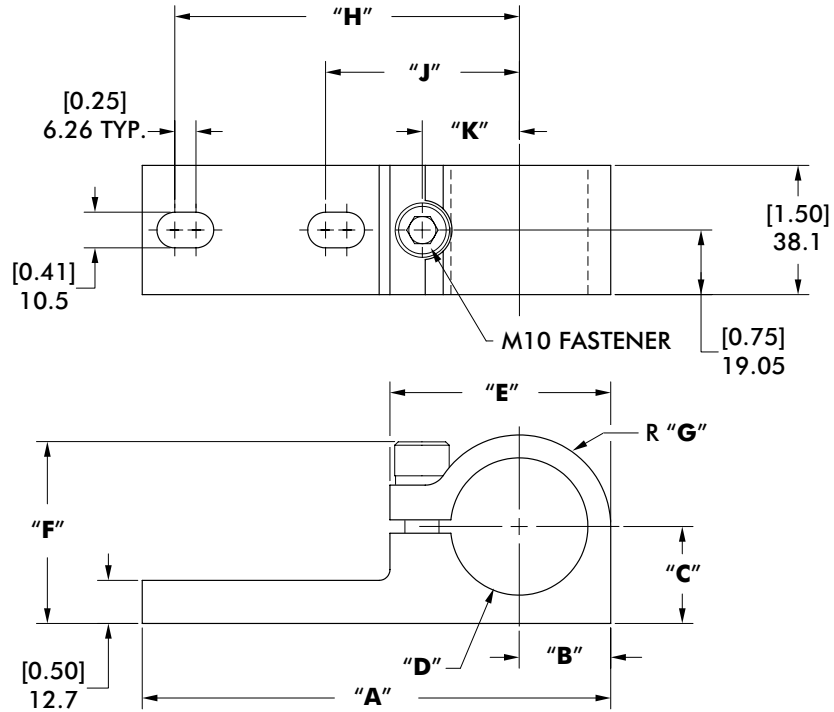
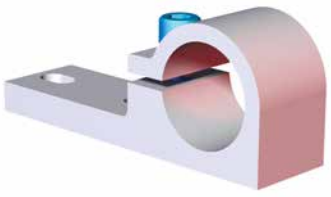
Model Number	Weight
CPI-CL-25-DM-15F-EXT	[4.23 lb] 1.92 kg

BASE MOUNT BLOCK

Round Tooling | Dimensions | Technical Specifications

Nominal (Ø) given
See chart on Page 72
for actual (Ø) size

BC-00-xxx Ø25mm/1.00" Tube/Ø40mm/1.50" Tube



Specifications:

Max. Static Clamp Load:
13.6 N*m [10 ft-lb]
Material: Aluminum

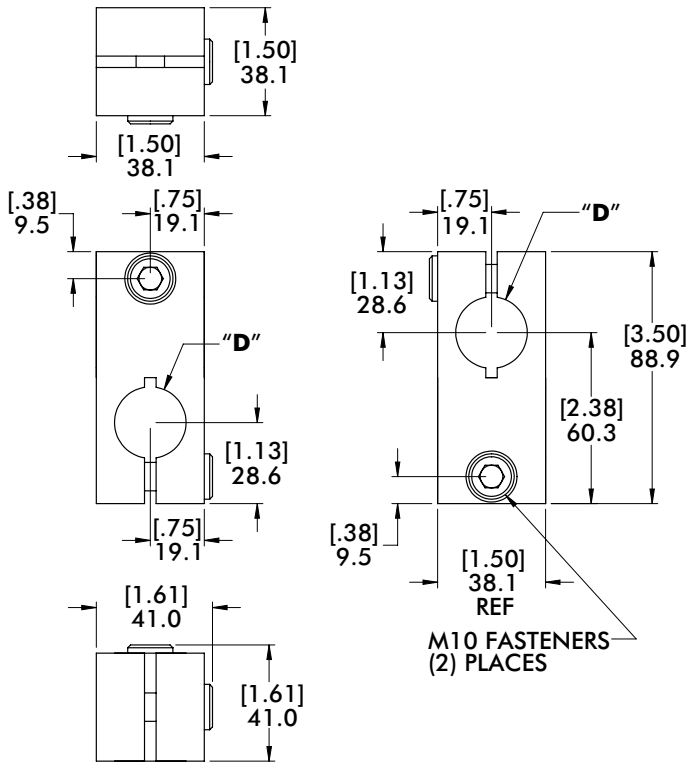
Model Number	(Ø)"D"	"A"	"B"	"C"	"E"	"F"	"G"	"H"	"J"	"K"	Weight
CPI-BC-00-25	25mm	[4.88] 123.8	[0.75] 19.0	[0.88] 22.2	[2.05] 52.1	[1.87] 47.4	[0.75] 19.0	[3.75] 95.3	[2.00] 50.8	[0.88] 22.3	[0.55 lb] 0.25 kg
CPI-BC-00-100	1.00"(in)										
CPI-BC-00-40	40mm	[5.44] 138.1	[1.06] 26.9	[1.13] 28.6	[2.56] 65.1	[2.18] 55.4	[1.06] 26.9	[4.00] 101.6	[2.25] 57.2	[1.13] 28.6	[0.68 lb] 0.31 kg
CPI-BC-00-150	1.50"(in)										

CROSS TRANSITION BRACKETS AND BLOCKS

Nominal (Ø) given
See chart on Page 72
for actual (Ø) size

Round Tooling | Dimensions | Technical Specifications

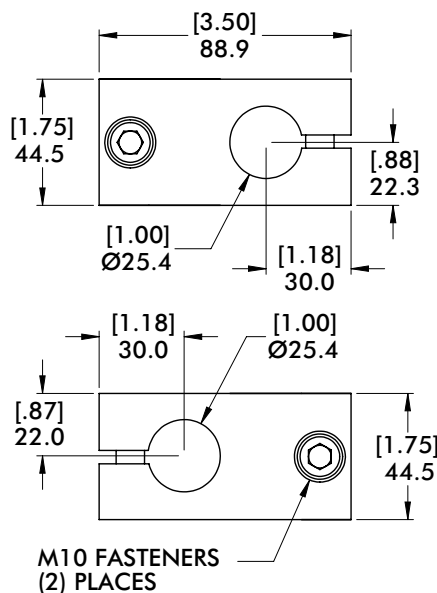
SC-xx-xx Ø25mm/1.00" to Ø25mm/1.00" (Single Bolt)



Specifications:
Max. Static Clamp Load:
162 N*m [120 ft-lb]
Material: Aluminum

Model Number	(Ø)"D"	Weight	Finish
CPI-SC-25-25	25mm		SILVER
CPI-SC-25-25-BL	25mm	[.60 lb] .27 kg	BLUE
CPI-SC-1010	1.00"(in)		SILVER

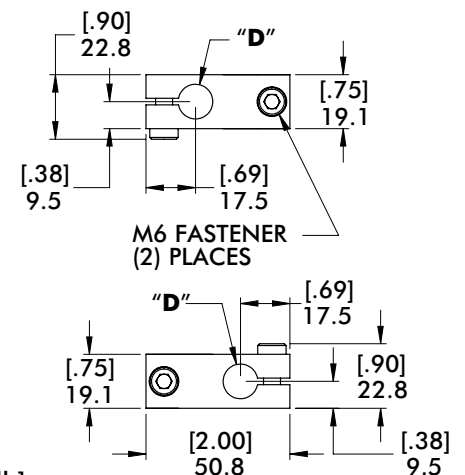
M1513 Ø1.00" to Ø1.00"



Specifications:
Max. Static
Clamp Load:
203 N*m [150 ft-lb]
Material: Aluminum

Model Number	Weight
M1513	[.82 lb] .37 kg

CLM Ø12mm/.50" to Ø12mm/.50"



Specifications:
Max. Static
Clamp Load:
13.6 N*m [10 ft-lb]
Material: Aluminum

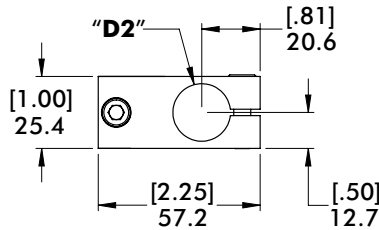
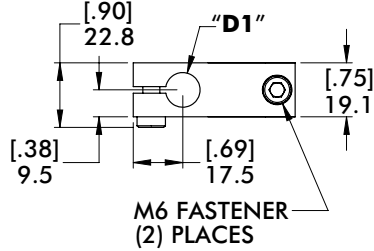
Model Number	(Ø)"D"	Weight
CPI-CLM-12M-12M	12mm	[.10 lb] .05 kg
CPI-CLM-50-50	.50"(in)	

CROSS TRANSITION BRACKETS AND BLOCKS

Round Tooling | Dimensions | Technical Specifications

Nominal (Ø) given
See chart on Page 72
for actual (Ø) size

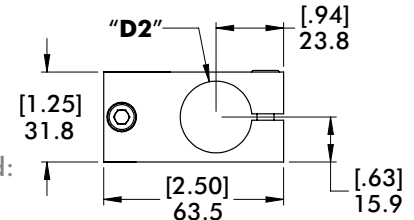
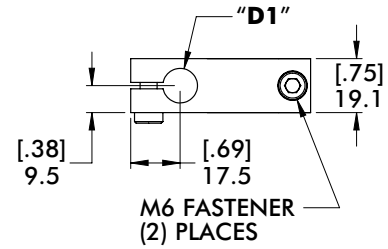
CLM Ø20mm/.75" to Ø12mm/.50"



Specifications:

Max. Static
Clamp Load:
Ø20mm/.75":
20.3 N*m [15 ft-lb]
Ø12mm/.50":
13.6 N*m [10 ft-lb]
Material: Aluminum

CLM Ø25mm/1.00" to Ø12mm/.50"



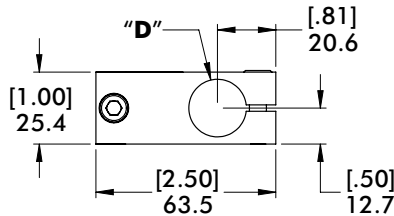
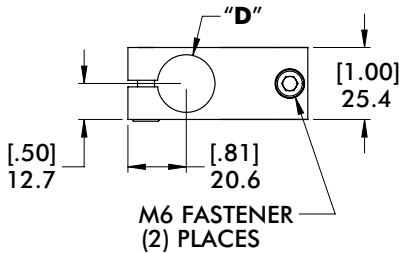
Specifications:

Max. Static Clamp Load:
Ø25mm/1.00":
67.8 N*m [50 ft-lb]
Ø12mm/.50":
13.6 N*m [10 ft-lb]
Material: Aluminum

Model Number	(Ø)"D1"	(Ø)"D2"	Weight
CPI-CLM-20M-12M	12mm	20mm	[13 lb] .06 kg
CPI-CLM-75-50	.50"(in)	.75 in	

Model Number	(Ø)"D1"	(Ø)"D2"	Weight
CPI-CLM-25M-12M	12mm	25mm	[.08 lb] .17 kg
CPI-CLM-10-50	.50"(in)	1.00"(in)	

CLM Ø20mm/.75" to Ø20mm/.75"

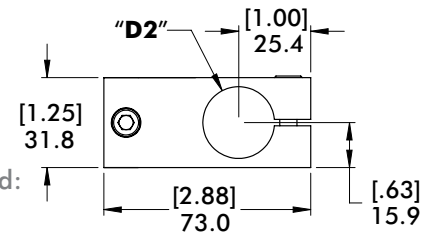
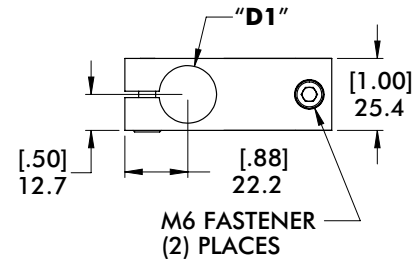


Specifications:

Max. Static
Clamp Load:
20.3 N*m
[15 ft-lb]

Model Number	(Ø)"D"	Weight
CPI-CLM-20M-20M	20mm	[.16 lb] .07 kg
CPI-CLM-20M-20M-ST	20mm	[.40 lb] .18 kg
CPI-CLM-75-75	.75"(in)	[.17 lb] .08 kg

CLM Ø25mm/1.00" to Ø20mm/.75"



Specifications:

Max. Static Clamp Load:
Ø25mm/1.00":
67.8 N*m [50 ft-lb]
Ø20mm/.75":
20.3 N*m [15 ft-lb]
Material: Aluminum

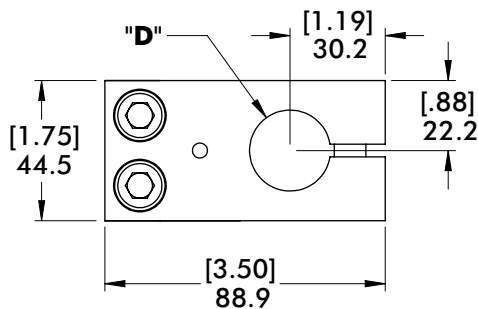
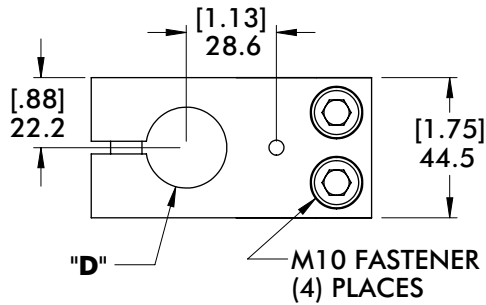
Model Number	(Ø)"D1"	(Ø)"D2"	Weight
CPI-CLM-25M-20M	20mm	25mm	[.23 lb] .11 kg
CPI-CLM-10-75	.75"(in)	1.00"(in)	

CROSS TRANSITION BRACKETS AND BLOCKS

Nominal (Ø) given
See chart on Page 72
for actual (Ø) size

Round Tooling | Dimensions | Technical Specifications

M-xxx-xxx-M Ø25mm/1.00" to Ø25mm/1.00" (Double Bolt)

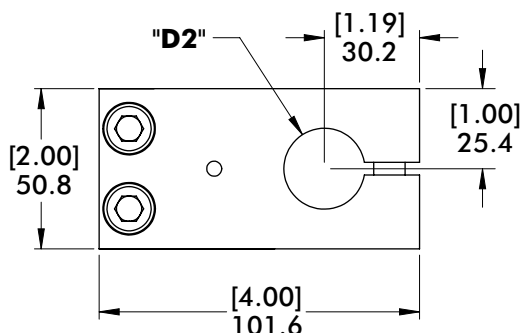
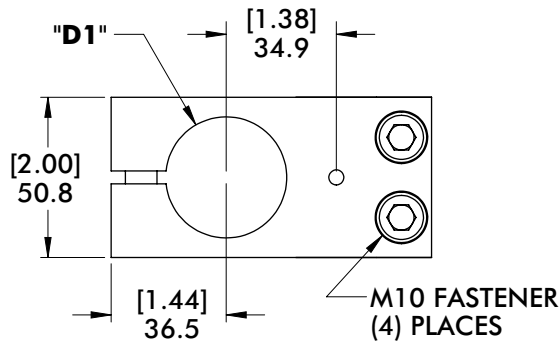


Specifications:

Max. Static Clamp Load:
Ø25mm/1.00":
434 N*m [320 ft-lb]
Material: Aluminum

Model Number	(Ø)"D"	Weight	Finish
M-25M-25M-M	25mm	[.93 lb] .42 kg	BLUE
M-10E-10E-M	1.00"(in)		BLACK

M-xxx-xxx-M Ø40mm/1.25"/1.50" to Ø25mm/1.00" (Double Bolt)



Specifications:

Max. Static Clamp Load:
Ø25mm/1.00":
434 N*m [320 ft-lb]
Ø40mm/1.50":
624 N*m [460 ft-lb]
Material: Aluminum

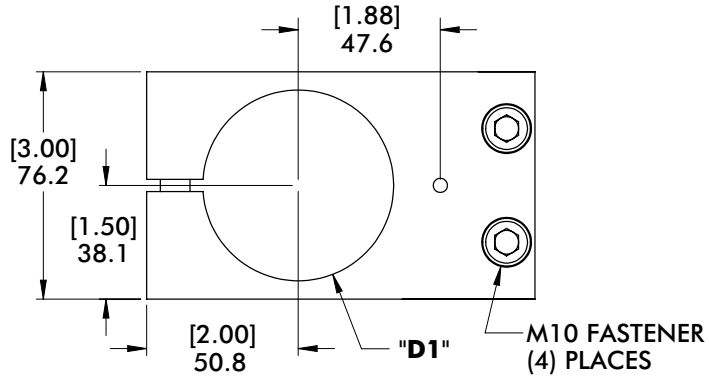
Model Number	(Ø)"D1"	(Ø)"D2"	Weight	Finish
M-10E-12E-M	1.25"(in)	1.00"(in)	[1.29 lb] .58 kg	BLACK
M-10E-15E-M	1.50"(in)	1.00"(in)	[1.18 lb] .54 kg	BLACK
M-25M-40M-M	40mm	25mm		BLUE

CROSS TRANSITION BRACKETS AND BLOCKS

Round Tooling | Dimensions | Technical Specifications

Nominal (Ø) given
See chart on Page 72
for actual (Ø) size

M-xxx-xxx-M Ø60mm/2.50" to Ø25mm/1.00" (Double Bolt)



Specifications:

Max. Static Clamp Load:

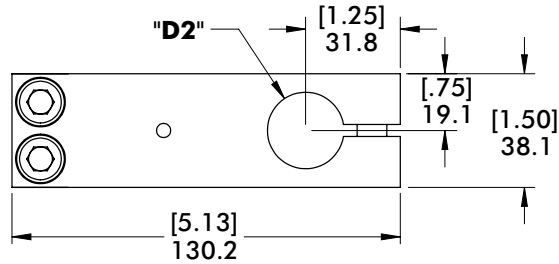
Ø25mm/1.00":

434 N*m [320 ft-lb]

Ø60mm/2.50":

813 N*m [600 ft-lb]

Material: Aluminum



Model Number	(Ø)"D1"	(Ø)"D2"	Weight	Finish
M-25M-60M-M	60mm	25mm	[1.52 lb] .69 kg	BLUE
M-10E-25E-M	2.50"(in)	1.00"(in)	[1.44 lb] .65 kg	BLACK

M-xxx-xxx-M Ø40mm/1.25"/1.50" to Ø40mm/1.25"/1.50" (Double Bolt)



Specifications:

Max. Static Clamp Load:

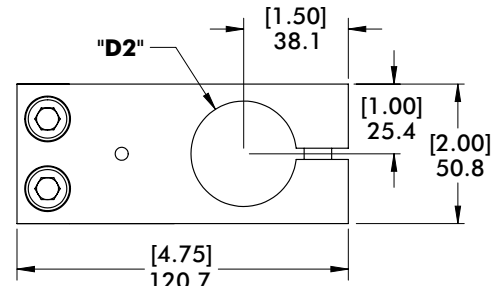
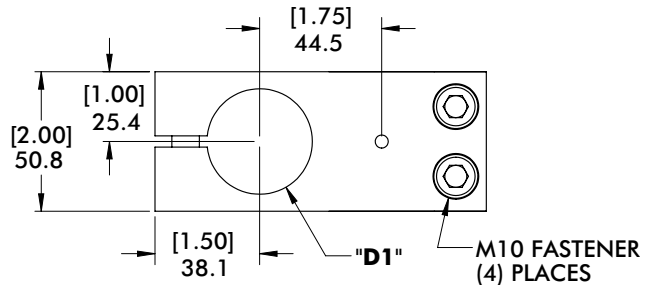
Ø1.25":

515 N*m [380 ft-lb]

Ø40mm/1.50":

624 N*m [460 ft-lb]

Material: Aluminum



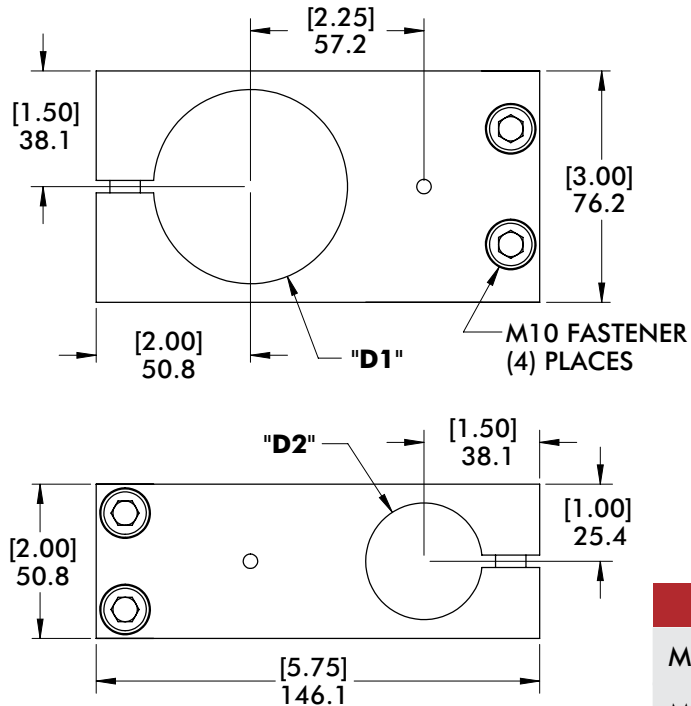
Model Number	(Ø)"D1"	(Ø)"D2"	Weight	Finish
M-12E-12E-M	1.25"(in)	1.25"(in)	[1.51 lb] .69 kg	BLACK
M-12E-15E-M	1.25"(in)	1.50"(in)	[1.41 lb] .64 kg	BLACK
M-15E-15E-M	1.50"(in)	1.50"(in)	[1.31 lb] .59 kg	BLACK
M-40M-40M-M	40mm	40mm	[1.23 lb] .56 kg	BLUE

CROSS TRANSITION BRACKETS AND BLOCKS

Nominal (Ø) given
See chart on Page 72
for actual (Ø) size

Round Tooling | Dimensions | Technical Specifications

M-xxx-xxx-M Ø60mm/2.50 to Ø40mm/1.50" (Double Bolt)

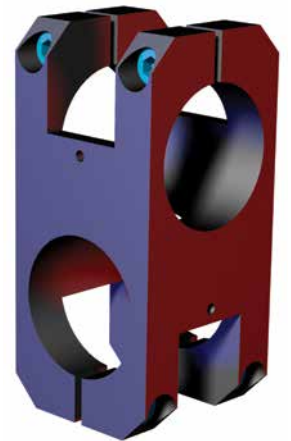
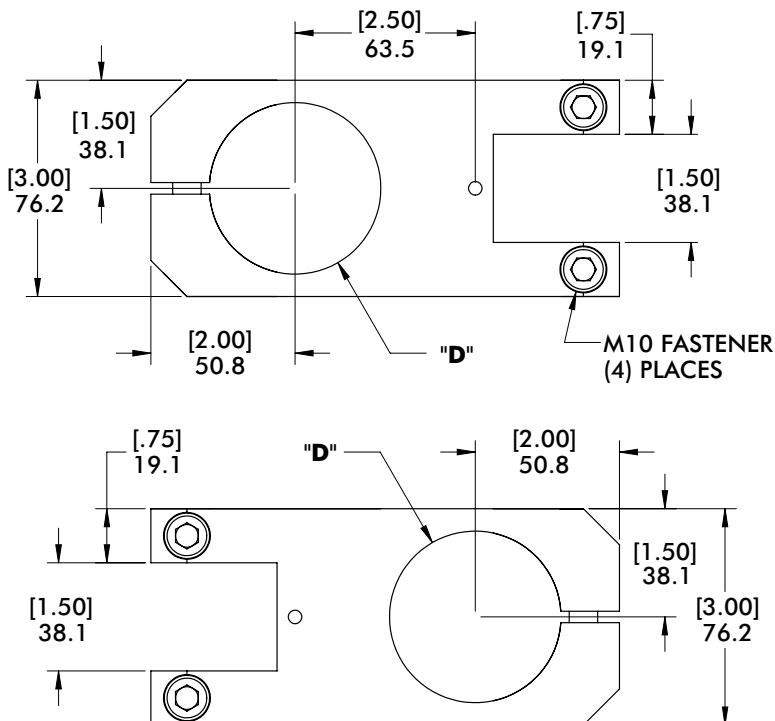


Specifications:

Max. Static Clamp Load:
Ø40mm/1.50":
624 N*m [460 ft-lb]
Ø60mm/2.50":
813 N*m [600 ft-lb]
Material: Aluminum

Model Number	(Ø)"D1"	(Ø)"D2"	Weight	Finish
M-40M-60M-M	60mm	40mm	[2.08 lb] .95 kg	BLUE
M-15E-25E-M	2.50"(in)	1.50"(in)		BLACK

M-xxx-xxx-M Ø60mm/2.50" to Ø60mm/2.50" (Double Bolt)



Specifications:

Max. Static Clamp Load:
813 N*m [600 ft-lb]
Material: Aluminum

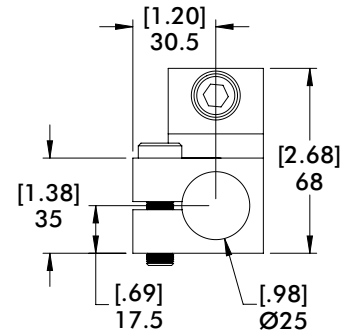
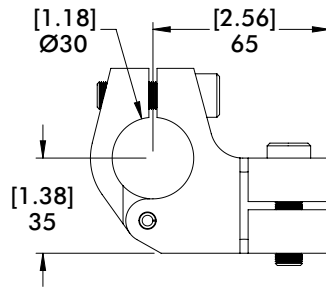
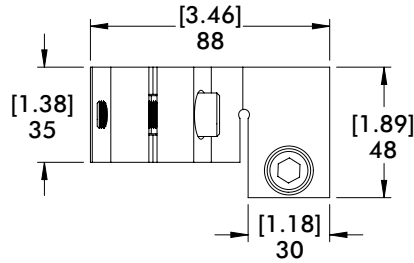
Model Number	(Ø)"D"	Weight	FINISH
M-60M-60M-M	60mm	[2.07 lb] .94 kg	BLUE
M-25E-25E-M	2.50"(in)	[2.03 lb] .92 kg	BLACK

T-CLAMP TRANSITION BRACKETS AND BLOCKS

Round Tooling | Dimensions | Technical Specifications

Nominal (Ø) given
See chart on Page 72
for actual (Ø) size

TCAH Ø30mm to Ø25mm



Specifications:

Max. Static Clamp Load:

Ø30mm:

237 N*m [175 ft-lb]

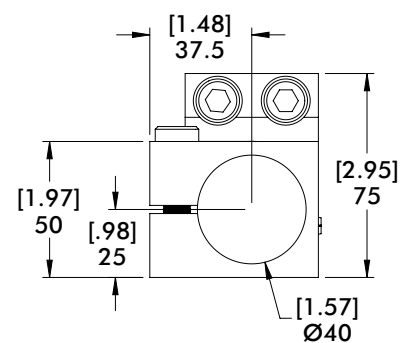
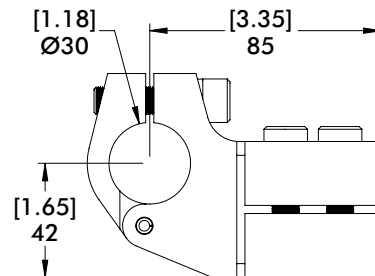
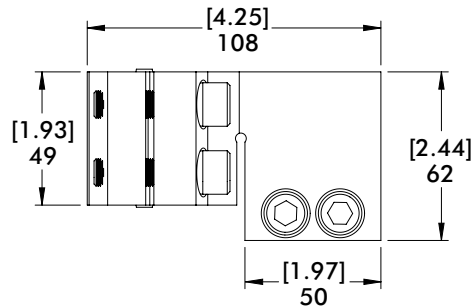
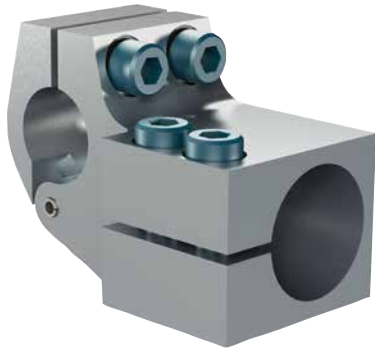
Ø25mm/1.00":

200 N*m [150 ft-lb]

Material: Aluminum

Model Number	Weight
CPI-TCAH30M-25M	[0.72 lb] 325g

TCAH Ø30mm to Ø40mm



Specifications:

Max. Static Clamp Load:

Ø30mm:

237 N*m [175 ft-lb]

Ø40mm:

271 N*m [200 ft-lb]

Material: Aluminum

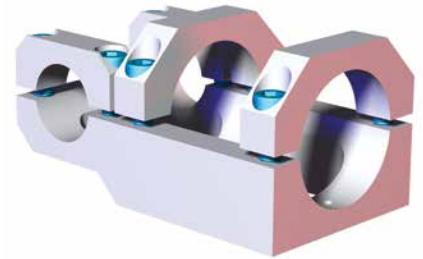
Model Number	Weight
CPI-TCAH30M-40M	[1.40 lb] 634g

T-CLAMP TRANSITION BRACKETS AND BLOCKS

Nominal (Ø) given
See chart on Page 72
for actual (Ø) size

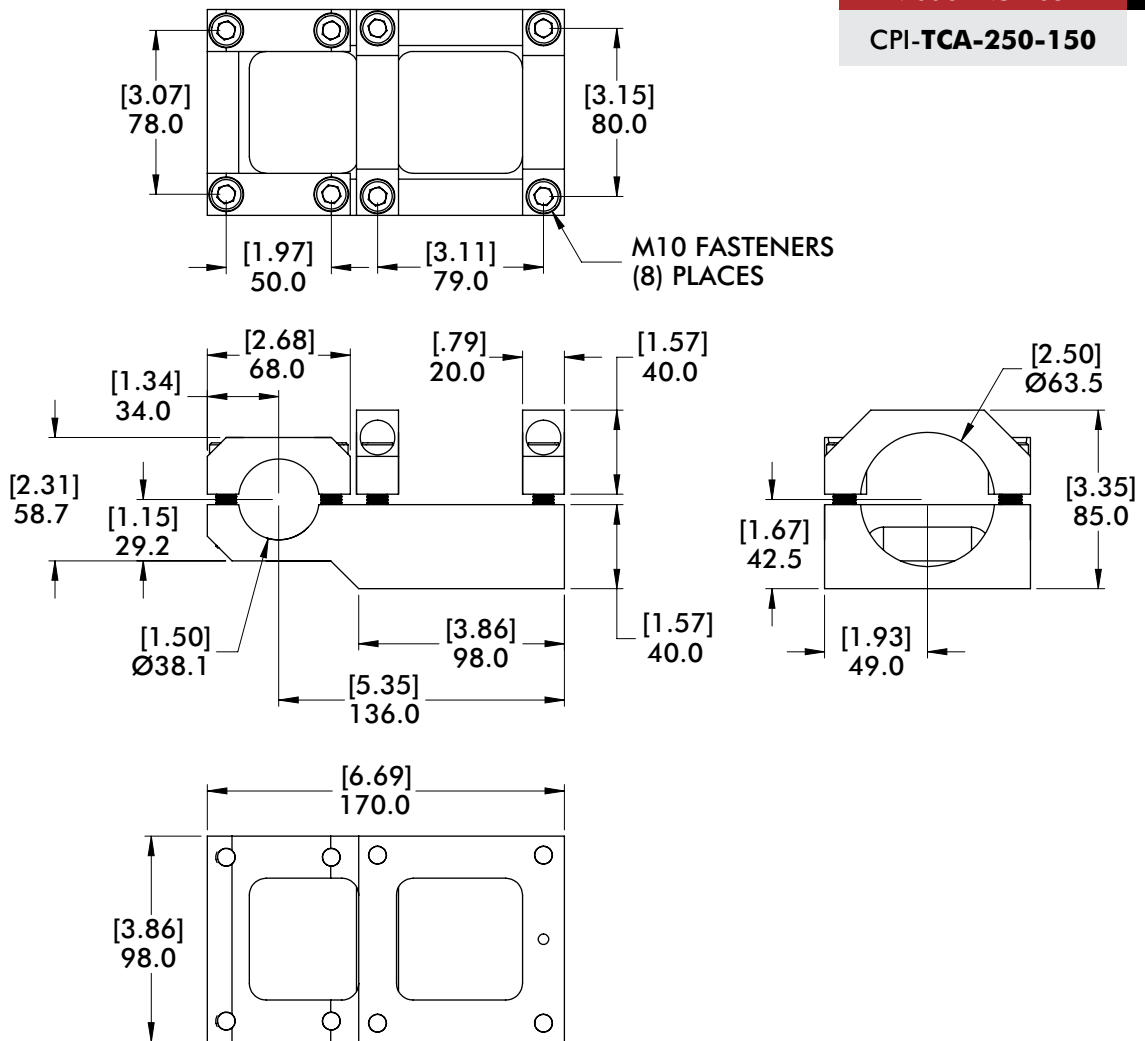
Round Tooling | Dimensions | Technical Specifications

TCA Ø2.50" to Ø1.50" T-Clamp Bracket Assembly



Specifications:
Max. Static Clamp Load:
Ø1.50":
271 N*m [200 ft-lb]
Ø2.50":
677 N*m [500 ft-lb]
Material: Aluminum

Model Number	Weight
CPI-TCA-250-150	[2.76 lb] 1.25 kg

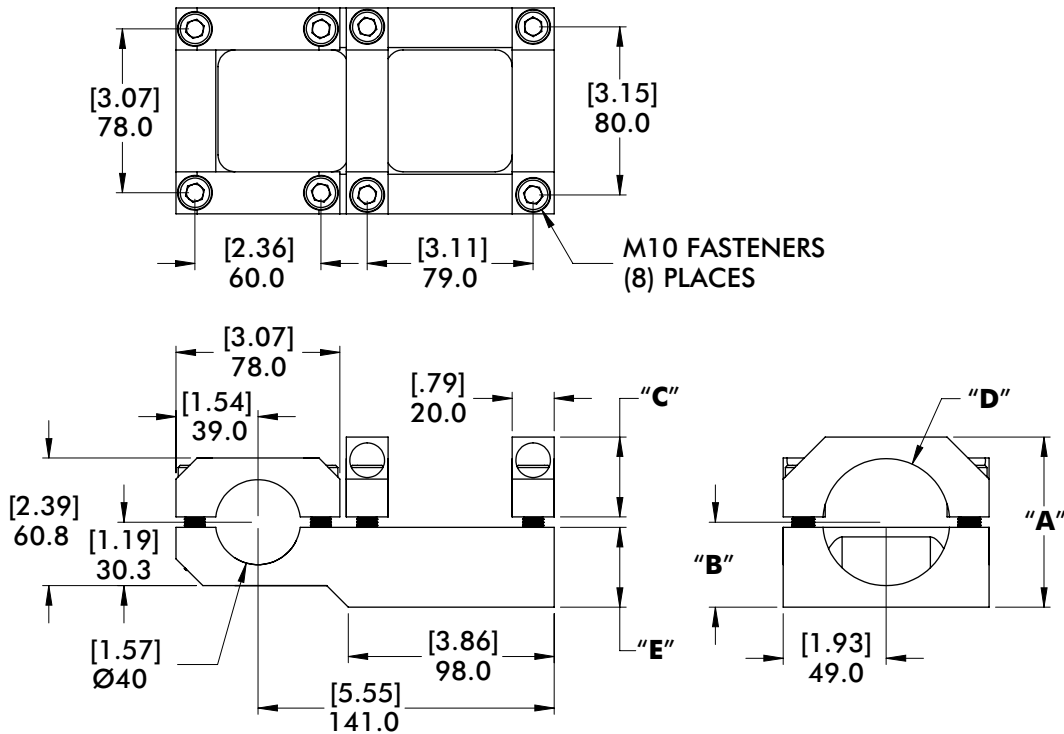
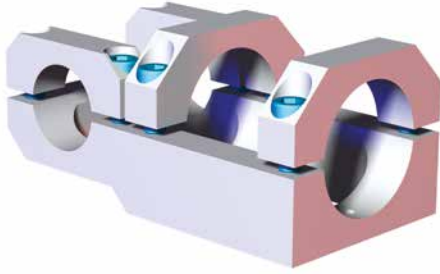


T-CLAMP TRANSITION BRACKETS AND BLOCKS

Round Tooling | Dimensions | Technical Specifications

Nominal (Ø) given
See chart on Page 72
for actual (Ø) size

TCA Ø60mm/2.50" to Ø40mm T-Clamp Bracket Assembly



Specifications:
Max. Static Clamp Load:
Ø40mm:
271 N*m [200 ft-lb]
Ø60mm/2.50":
677 N*m [500 ft-lb]
Material: Aluminum

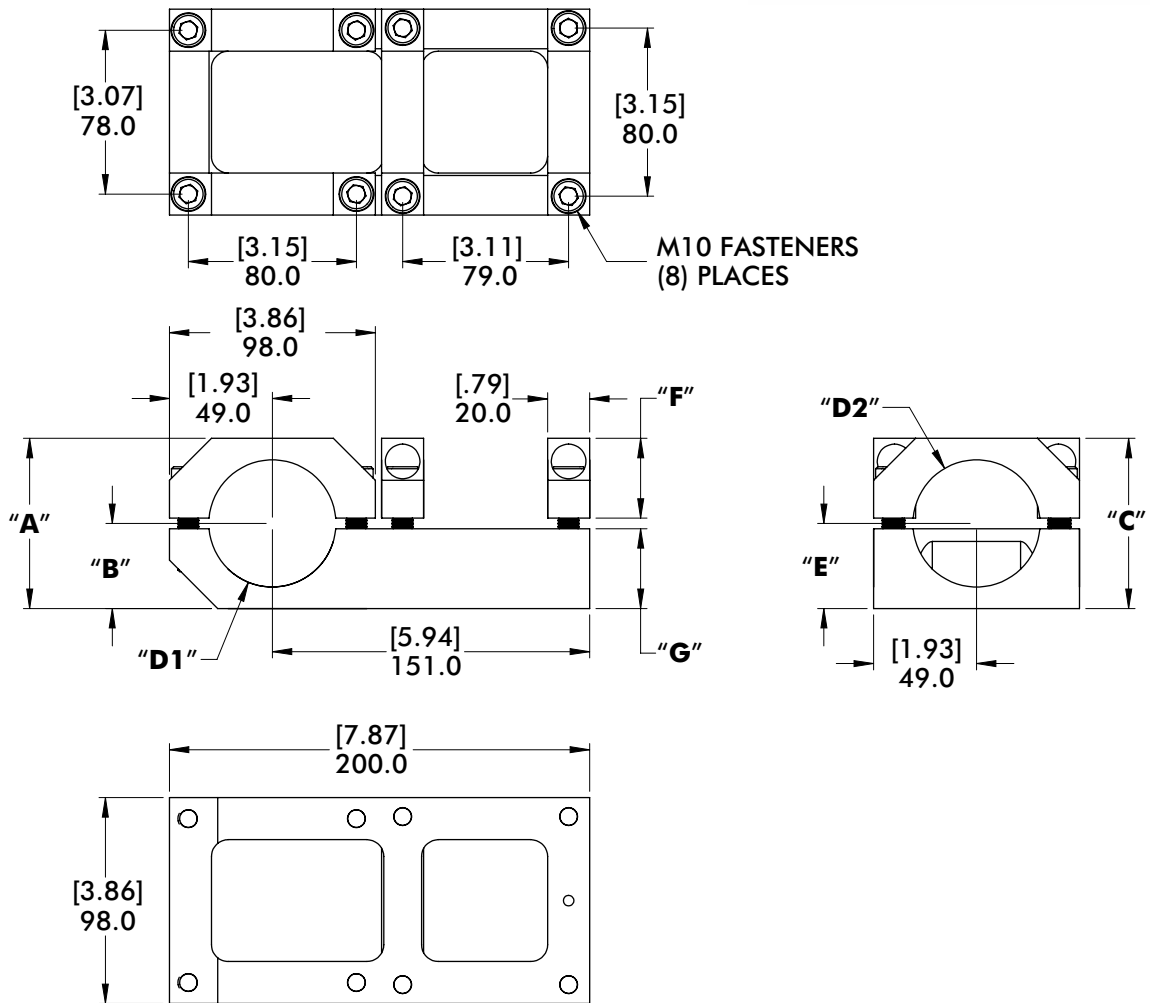
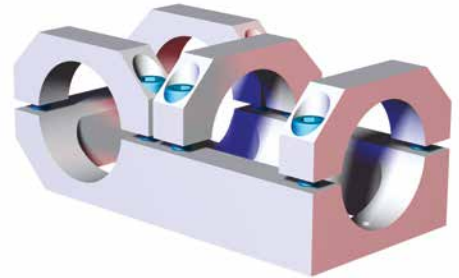
Model Number	(Ø)"D"	"A"	"B"	"C"	"E"	Weight
CPI-TCA-60M-40M	60mm	[3.19] 81.0	[1.59] 40.5	[1.50] 38.0	[1.50] 38.0	[2.89 lb] 1.31 kg

T-CLAMP TRANSITION BRACKETS AND BLOCKS

Nominal (Ø) given
See chart on Page 72
for actual (Ø) size

Round Tooling | Dimensions | Technical Specifications

TCA Ø60mm/2.50" to Ø60mm/2.50" T-Clamp Bracket Assembly



Specifications:
Max. Static Clamp Load:
813 N*m [600 ft-lb]
Material: Aluminum

Model Number	(Ø)"D1"	(Ø)"D2"	"A"	"B"	"C"	"E"	"F"	"G"	Weight
CPI-TCA-60M-60M	60mm	60mm	[3.19] 81.0	[1.59] 40.5	[3.19] 81.0	[1.59] 40.5	[1.50] 38.0	[1.50] 38.0	[3.15 lb] 1.43 kg
CPI-TCA-250-250	2.50"(in)	2.50"(in)	[3.35] 85.0	[1.67] 42.5	[3.35] 85.0	[4.67] 42.5	[1.57] 40.0	[1.57] 40.0	

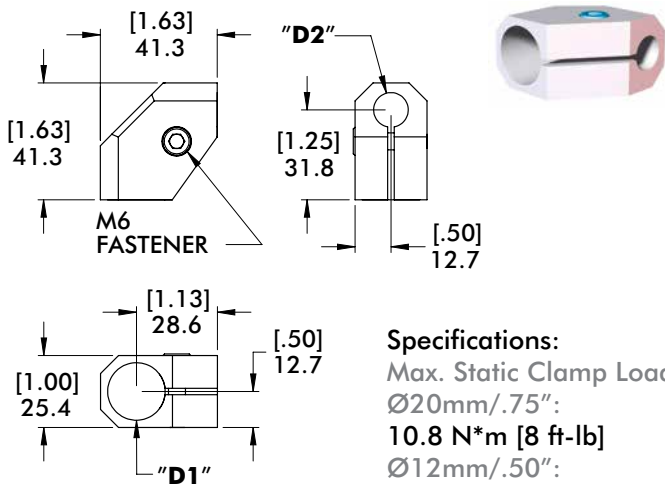
WRIST CLAMPS

Round Tooling | Dimensions | Technical Specifications

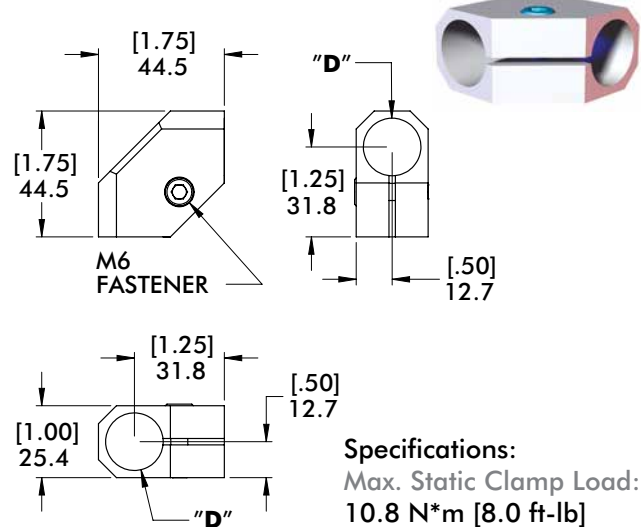
Nominal (Ø) given
See chart on Page 72
for actual (Ø) size

SECM Ø20mm/.75" to Ø12mm/.50"

SECM Ø20mm/.75" to Ø20mm/.75"



Specifications:
Max. Static Clamp Load:
Ø20mm/.75":
10.8 N*m [8 ft-lb]
Ø12mm/.50":
10.8 N*m [8 ft-lb]
Material: Aluminum



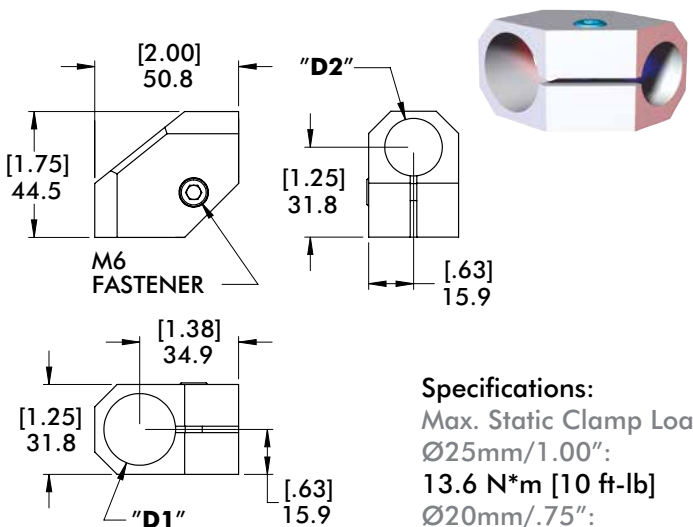
Specifications:
Max. Static Clamp Load:
10.8 N*m [8.0 ft-lb]
Material: Aluminum

Model Number	(Ø)"D1"	(Ø)"D2"	Weight
CPI-SECM-2012M	12mm	20mm	[.12 lb] .05 kg
CPI-SECM-7550	.50"(in)	.75"(in)	

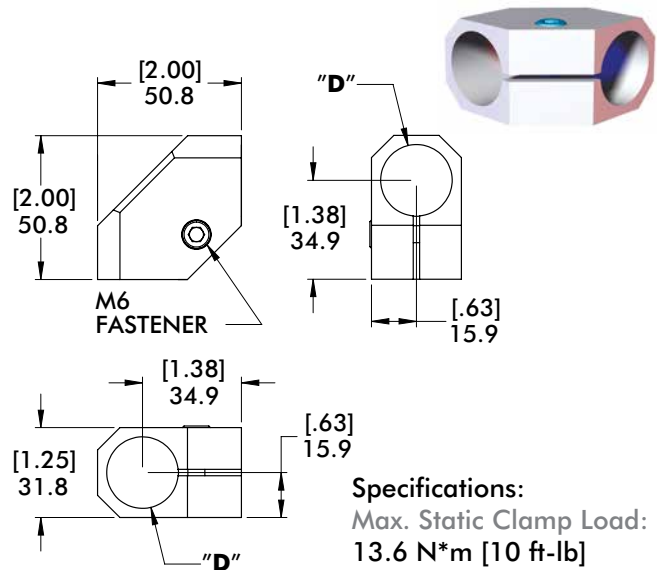
Model Number	(Ø)"D"	Weight
CPI-SECM-2020M	20mm	[.12 lb] .06 kg
CPI-SECM-7575	.75"(in)	

SECM Ø25mm/1.00" to Ø20mm/.75"

SECM Ø25mm/1.00" to Ø25mm/1.00"



Specifications:
Max. Static Clamp Load:
Ø25mm/1.00":
13.6 N*m [10 ft-lb]
Ø20mm/.75":
10.8 N*m [8.0 ft-lb]
Material: Aluminum



Specifications:
Max. Static Clamp Load:
13.6 N*m [10 ft-lb]
Material: Aluminum

Model Number	(Ø)"D1"	(Ø)"D2"	Weight
CPI-SECM-2520M	25mm	20mm	[.17 lb] .08 kg
CPI-SECM-1075	1.00"(in)	.75"(in)	

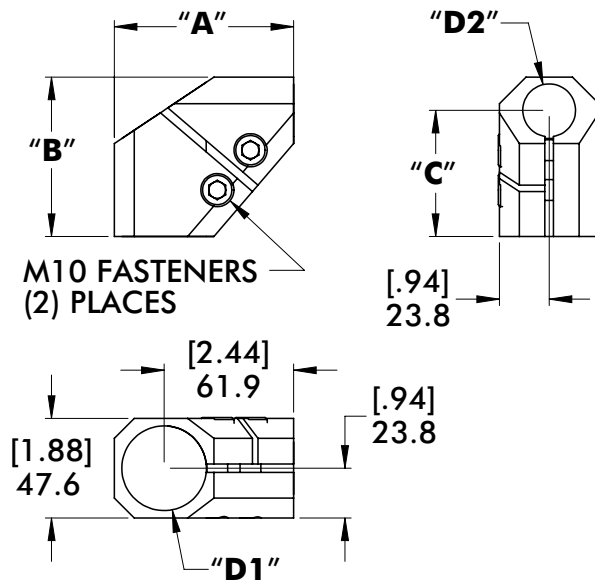
Model Number	(Ø)"D"	Weight
CPI-SECM-2525M	25mm	[.17 lb] .08 kg
CPI-SECM-1010	1.00"(in)	

WRIST CLAMPS

Nominal (Ø) given
See chart on Page 72
for actual (Ø) size

Round Tooling | Dimensions | Technical Specifications

SEC/SLK Ø40mm/1.50" to Ø25mm/1.00"



Specifications:
Max. Static Clamp Load:
Ø40mm/1.50":
271 N*m [200 ft-lb]
Ø25mm/1.00":
203 N*m [150 ft-lb]
Material: Aluminum

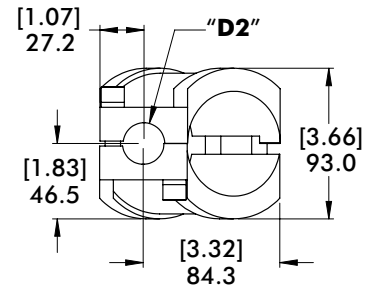
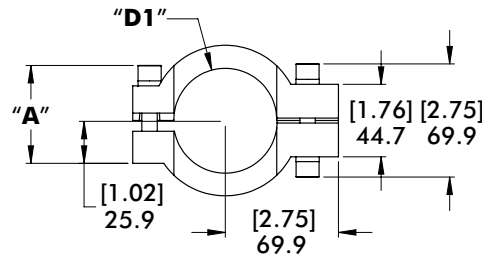
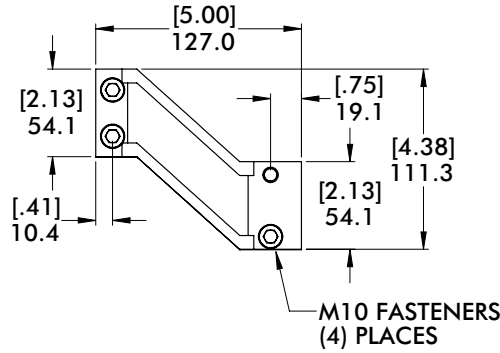
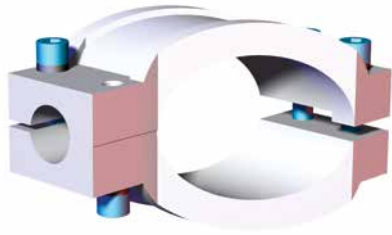
Model Number	(Ø)"D1"	(Ø)"D2"	"A"	"B"	"C"	"E"	Weight
CPI-SEC-1510	1.50"(in)	1.00"(in)	[3.25] 82.6	[2.38] 60.3	[1.75] 44.5	[.88] 22.2	[.67 lb] .31 kg
CPI-SLK-4025	40mm	25mm	[3.38] 85.7	[2.44] 61.9	[1.88] 47.6	[.94] 23.8	[.77 lb] .35 kg

OFFSET WRIST BRACKETS AND BLOCKS

Round Tooling | Dimensions | Technical Specifications

Nominal (Ø) given
See chart on Page 72
for actual (Ø) size

SEC/SLK Ø60mm/2.50" to Ø25mm/1.00" Wrist Bracket



Specifications:

Max. Static Clamp Load:

Ø25mm/1.00":

149 N*m [110 ft-lb]

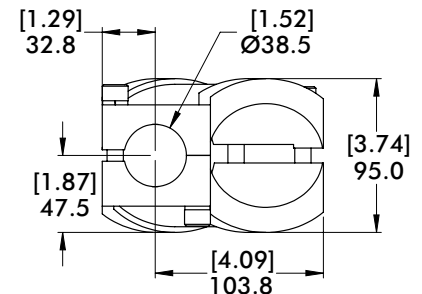
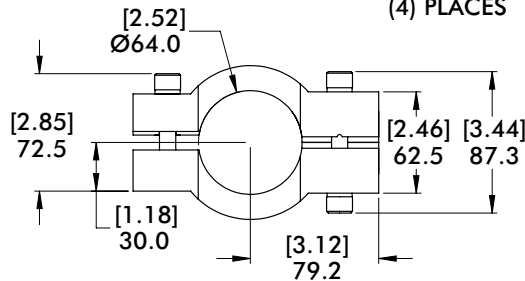
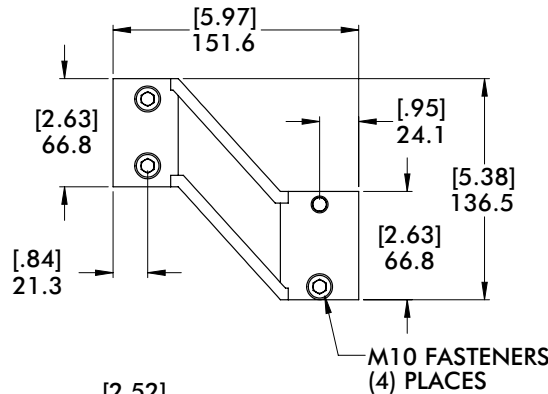
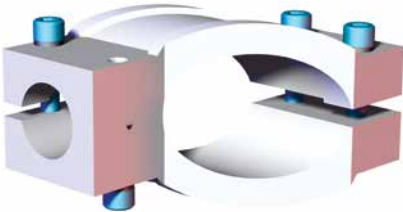
Ø60mm/2.50":

677 N*m [500 ft-lb]

Material: Aluminum

Model Number	(Ø)"D1"	(Ø)"D2"	"A"	Weight
CPI-SLK-6025	60mm	25mm	[2.25] 57.1	[1.72 lb] .78 kg
CPI-SEC-2510	2.50"(in)	1.00"(in)	[2.38] 60.5	[1.61 lb] .73 kg

SEC Ø2.50" to Ø1.50" Wrist Bracket



Specifications:

Max. Static Clamp Load:

Ø40mm/1.50":

271 N*m [200 ft-lb]

Ø60mm/2.50":

677 N*m [500 ft-lb]

Material: Aluminum

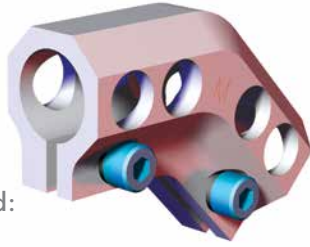
Model Number	Weight
CPI-SEC-2515	[2.72 lb] 1.23 kg

ELBOW AND STRAIGHT BRACKETS

Round Tooling | Dimensions | Technical Specifications

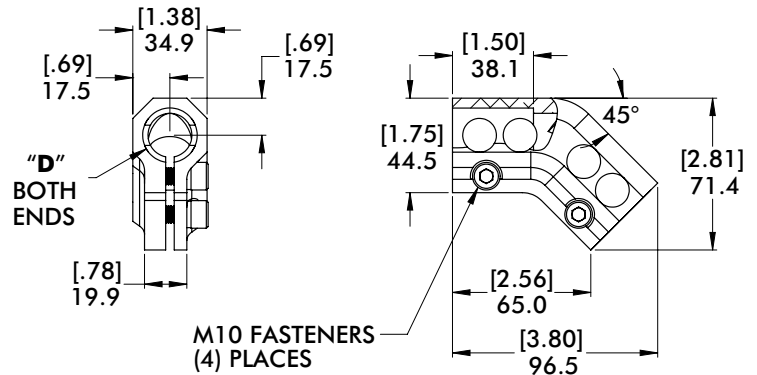
Nominal (\emptyset) given
See chart on Page 72
for actual (\emptyset) size

DC $\emptyset 25\text{mm}/1.00''$ to $\emptyset 25\text{mm}/1.00''$ 45° Elbow

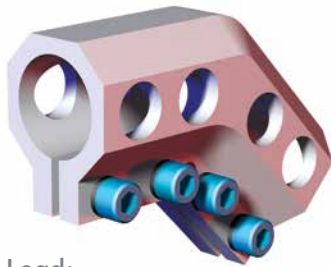


Specifications:
Max. Static Clamp Load:
203 N*m [150 ft-lb]
Material: Aluminum

Model Number	(\emptyset) "D"	Weight
CPI-DC-2525M-45	25mm	[.35 lb] .16 kg
CPI-DC-1010-45	1.00"(in)	

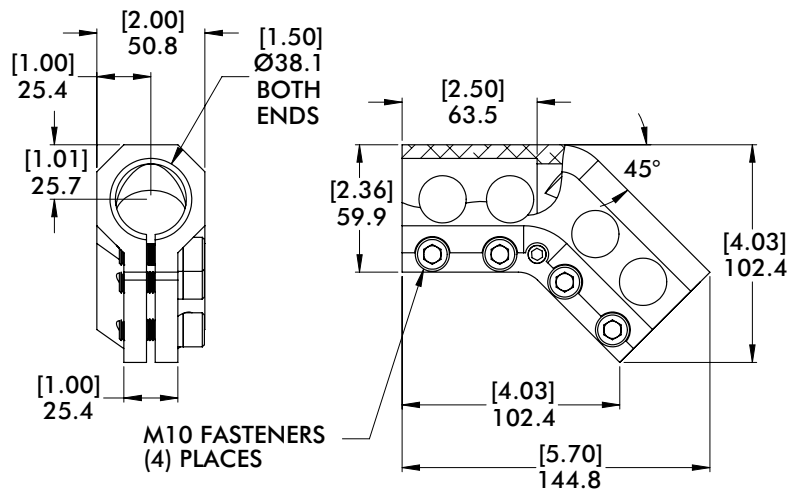


DC $\emptyset 1.50''$ to $\emptyset 1.50''$ 45° Elbow

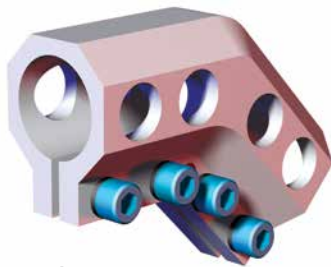


Specifications:
Max. Static Clamp Load:
271 N*m [200 ft-lb]
Material: Aluminum

Model Number	Weight
CPI-DC-1515-45	[1.41 lb] .64 kg

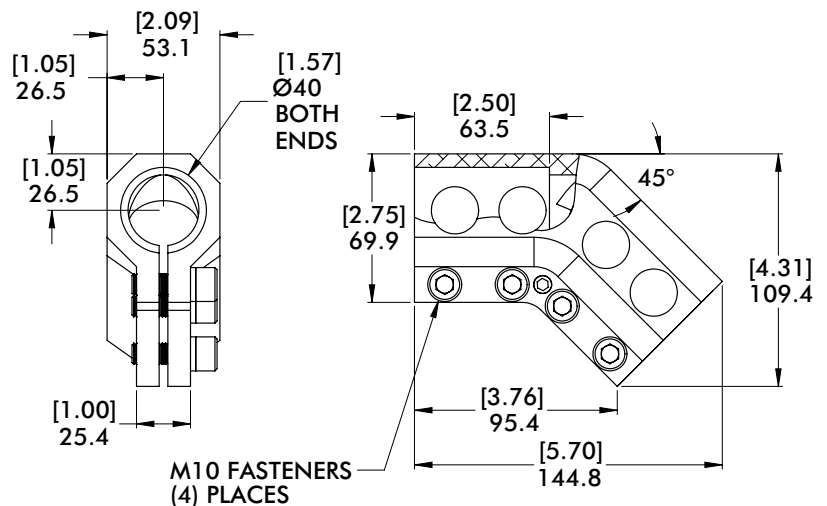


DC $\emptyset 40\text{mm}$ to $\emptyset 40\text{mm}$ 45° Elbow



Specifications:
Max. Static Clamp Load:
271 N*m [200 ft-lb]
Material: Aluminum

Model Number	Weight
CPI-DC-40-40-45	[1.41 lb] .64 kg

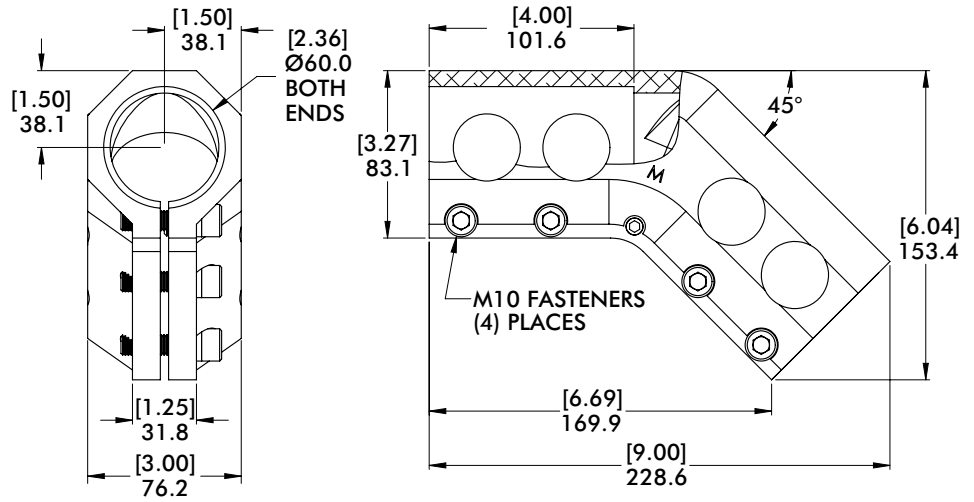
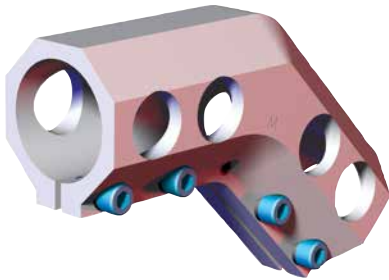


ELBOW AND STRAIGHT BRACKETS

Round Tooling | Dimensions | Technical Specifications

Nominal (\emptyset) given
See chart on Page 72
for actual (\emptyset) size

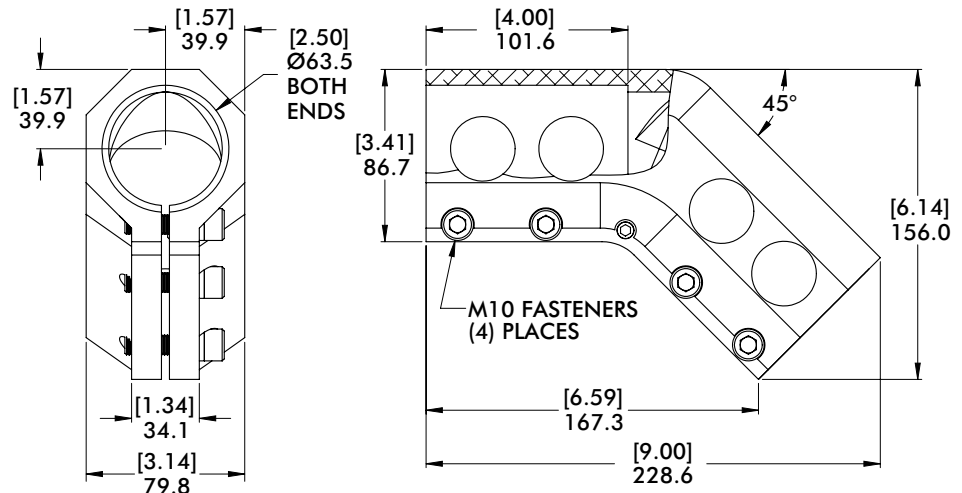
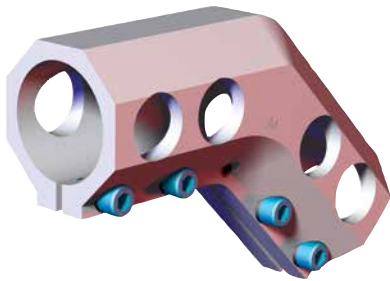
DC $\emptyset 60\text{mm}$ to $\emptyset 60\text{mm}$ 45° Elbow



Specifications:
Max. Static Clamp Load:
677N*m [500 ft-lb]
Material: Aluminum

Model Number	Weight
CPI-DC-6060M-45	[2.94 lb] 1.33 kg

DC $\emptyset 2.50''$ to $\emptyset 2.50''$ 45° Elbow



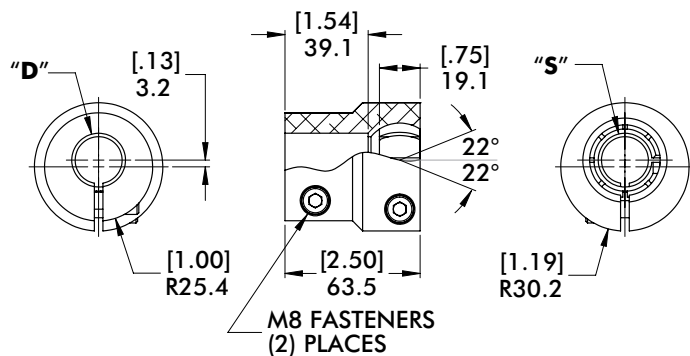
Specifications:
Max. Static Clamp Load:
677 N*m [500 ft-lb]
Material: Aluminum

Model Number	Weight
CPI-DC-2525-45	[3.19 lb] 1.46 kg

DC $\emptyset 25\text{mm}/1.00''$ to $\emptyset 25\text{mm}/1.00''$ Straight with Swivel



Specifications:
Max. Static Clamp Load:
203 N*m [150 ft-lb]
Material: Aluminum



Model Number	(\emptyset) "D"	(\emptyset) "S"	Weight
CPI-DC-2525S-8	25mm	25mm	[.80 lb] .36 kg
CPI-DC-1010S-8	1.00"(in)	1.00"(in)	

SWIVEL ARMS

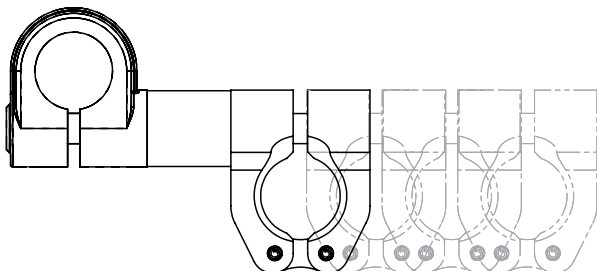
Round Tooling | Features and Benefits

AC-SA Series Accessory Mount Swivel Arms



Features:

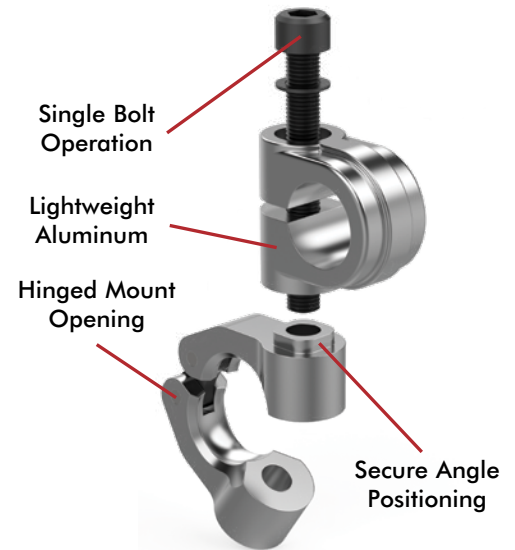
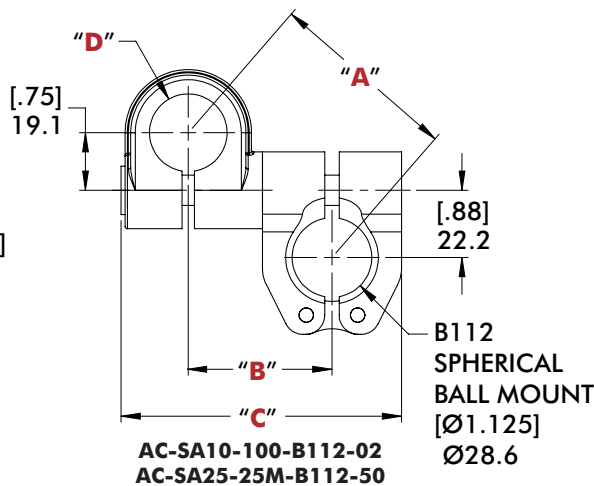
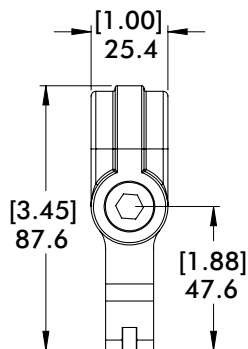
- Fixed adjustment every 90 degrees
- Mounts to a 1 inch or 25mm tube
- Clamps to a $\text{Ø}28.6\text{mm}$ [1.125"] (B112) Spherical Ball



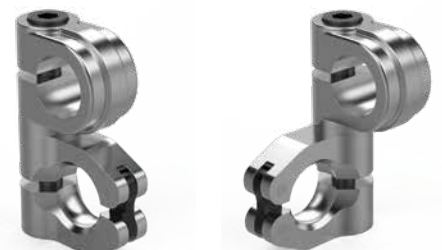
AC-SA10-100-B112-03
AC-SA25-25M-B112-75
AC-SA10-100-B112-04
AC-SA25-25M-B112-100

AC-SA10-100-B112-06
AC-SA25-25M-B112-150

AC-SA10-100-B112-05
AC-SA25-25M-B112-125



AC-SA10-100-B112-02
AC-SA25-25M-B112-50



0 degree

90 degree



180 degree

270 degree

Specifications:

Maximum Clamp Load:
111 ft-lb [150 Nm]

Material:
Aluminum

Model Number	"A"	"B"	"C"	(Ø)"D"	Weight
AC-SA10-100-B112-02	[2.48]	[1.87]	[3.65]	1.00"(in)	[0.51 lb]
AC-SA25-25M-B112-50	62.9	47.5	92.8	25mm	0.23kg
AC-SA10-100-B112-03	[3.37]	[2.95]	[4.74]	1.00"(in)	[0.59 lb]
AC-SA25-25M-B112-75	85.6	75.0	120.3	25mm	0.27kg
AC-SA10-100-B112-04	[4.26]	[3.94]	[5.72]	1.00"(in)	[0.69 lb]
AC-SA25-25M-B112-100	108.2	100.0	145.3	25mm	0.31kg
AC-SA10-100-B112-05	[5.18]	[4.92]	[6.70]	1.00"(in)	[0.78 lb]
AC-SA25-25M-B112-125	131.6	125.0	170.3	25mm	0.35 kg
AC-SA10-100-B112-06	[6.13]	[5.90]	[7.69]	1.00"(in)	[0.88 lb]
AC-SA25-25M-B112-150	155.6	150.0	195.5	25mm	0.40kg

EXTEND-ARM SWIVEL ARMS

Round Tooling | Dimensions | Technical Specifications



Features:

- Mounts apple core accessories to Ø25mm/1.00" round tube
- 50.8 [2.00] linear extension allows for precise adjustment
- Provides 360° of rotational adjustments along (3) axes
- Used to mount venturi, bumpers, round locators, and proximity switches

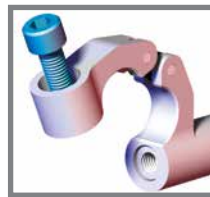
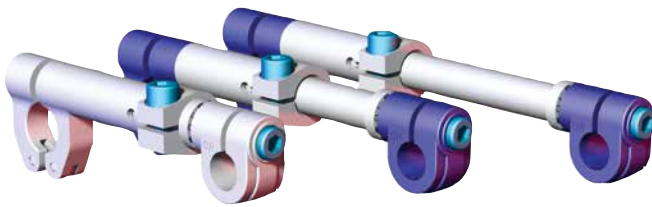
Specifications:

Maximum Clamp Load:
140 ft-lb [190 Nm]

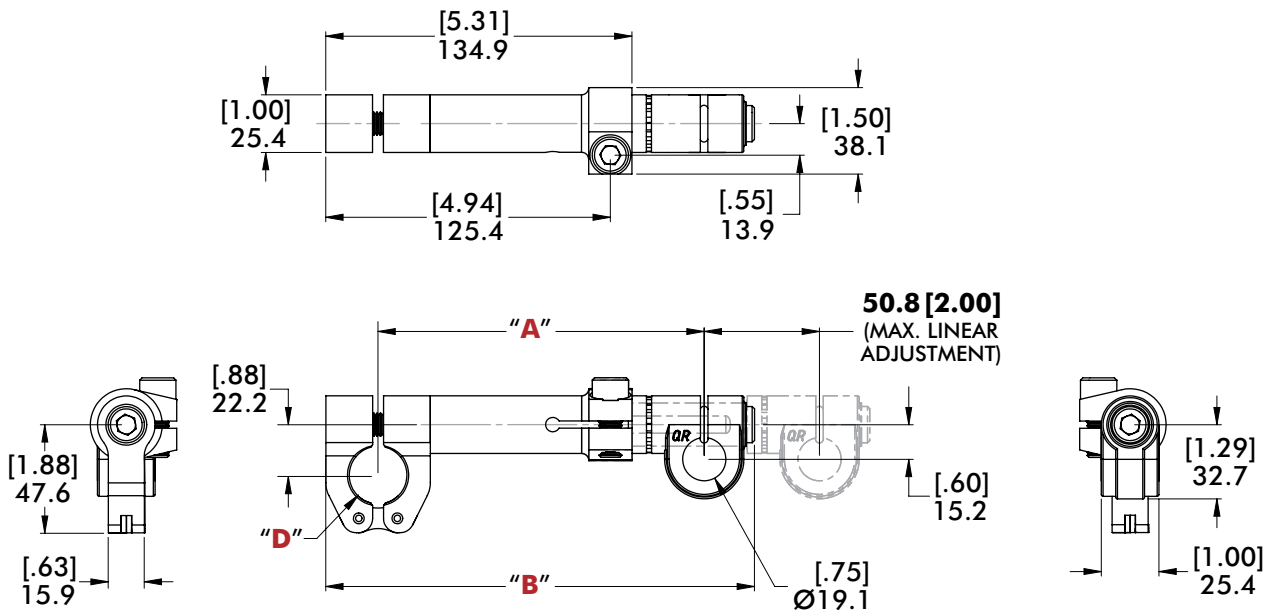
Material:

Body and Insert:
Machined Aluminum
End:
Cast Aluminum

TSA Ø25mm/1.00" for Ø19mm [.75"] Apple Core



Double-hinge design allows swivel arm to be mounted directly onto boom/tube and slid into position, without having to remove existing components to slide on from boom/tube end.



Model Number	(Ø)"D"	"A"	"B"	Weight	FINISH
CPI-55-1-TSA	1.00"(in)	[5.66]	[7.44]	[0.83 lb]	SILVER
CPI-140-25-TSA	25mm	143.7	188.9	0.38 kg	BLUE
CPI-75-1-TSA	1.00"(in)	[7.66]	[9.44]	[0.90 lb]	SILVER
CPI-190-25-TSA	25mm	194.5	239.7	0.41 kg	BLUE
CPI-95-1-TSA	1.00"(in)	[9.66]	[11.44]	[0.98 lb]	SILVER
CPI-240-25-TSA	25mm	245.3	290.5	0.44 kg	BLUE

EXTEND-ARM SWIVEL ARMS

Round Tooling | Dimensions | Technical Specifications

Features:

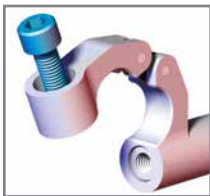
- Mounts apple core accessories to $\text{\O}40\text{mm}/1.50\text{'}$ round tube
- 50.8 [2.00] linear extension allows for precise adjustment
- Provides 360° of rotational adjustments along (3) axes
- Used to mount venturi, bumpers, round locators, and proximity switches

Specifications:

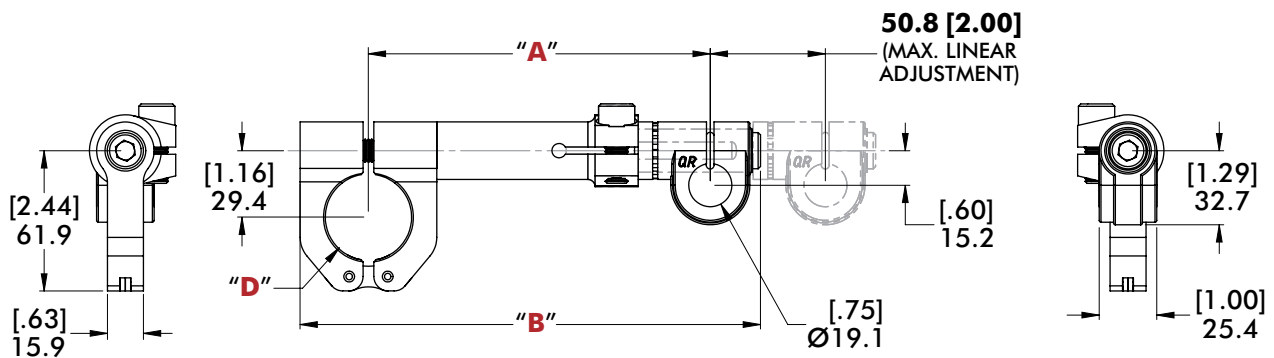
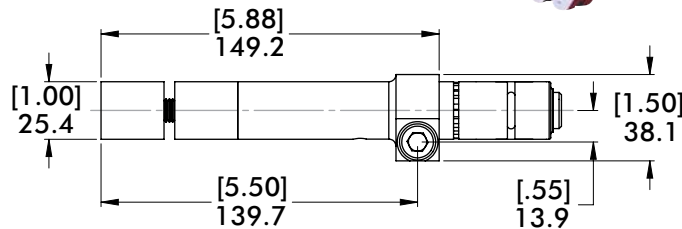
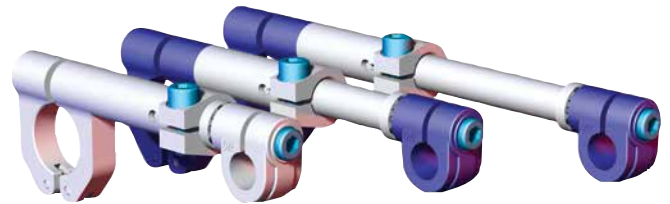
Maximum Clamp Load:
140 ft-lb [190 Nm]
Material:
Body and Insert:
Machined Aluminum
End:
Cast Aluminum



TSA $\text{\O}40\text{mm}/1.50\text{'}$ for $\text{\O}19\text{mm}$ [.75"] Apple Core



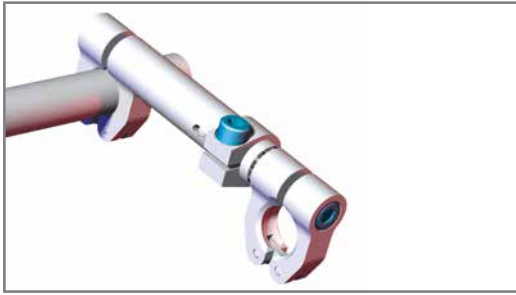
Double-hinge design allows swivel arm to be mounted directly onto boom/tube and slid into position, without having to remove existing components to slide on from boom/tube end.



Model Number	(\O) "D"	"A"	"B"	Weight	FINISH
CPI-55-150-TSA	1.50"(in)	[5.94]	[8.00]	[0.99 lb]	SILVER
CPI-140-40-TSA	40mm	150.9	203.2	0.45 kg	BLUE
CPI-75-150-TSA	1.50"(in)	[7.94]	[10.00]	[1.06 lb]	SILVER
CPI-190-40-TSA	40mm	201.7	254.0	0.48 kg	BLUE
CPI-95-150-TSA	1.50"(in)	[9.94]	[12.00]	[1.13 lb]	SILVER
CPI-240-40-TSA	40mm	252.5	304.8	0.51 kg	BLUE

EXTEND-ARM SWIVEL ARMS

Round Tooling | Dimensions | Technical Specifications



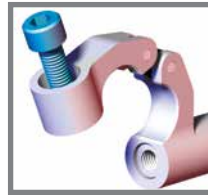
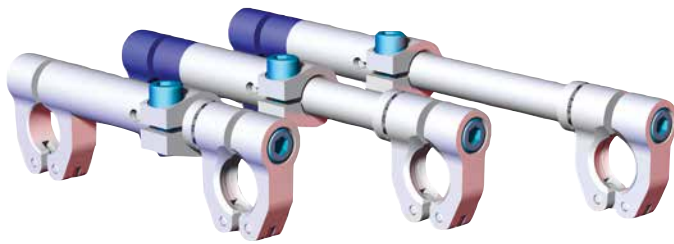
Features:

- Mounts swivel ball accessories to Ø25mm/1.00" round tube
- 50.8 [2.00] linear extension allows for precise adjustment
- Provides 360° of rotational adjustments along (3) axes
- Used to mount venturi, bumpers, round locators, and proximity switches

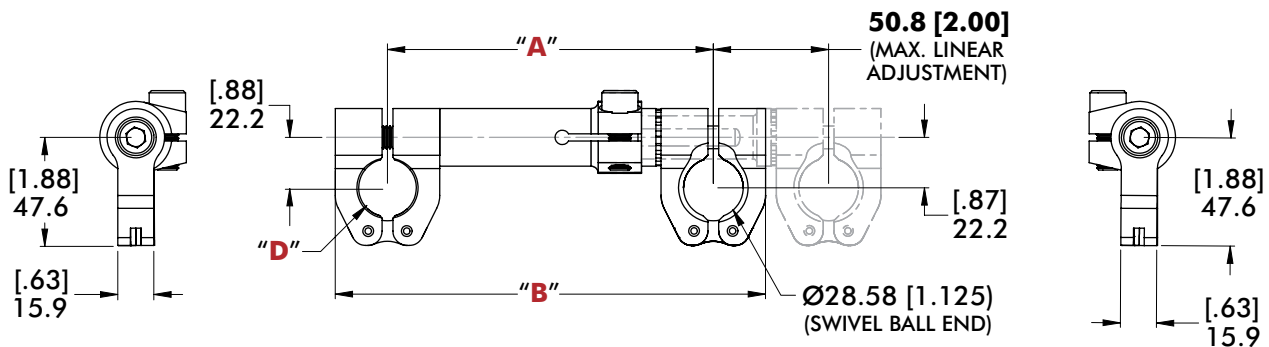
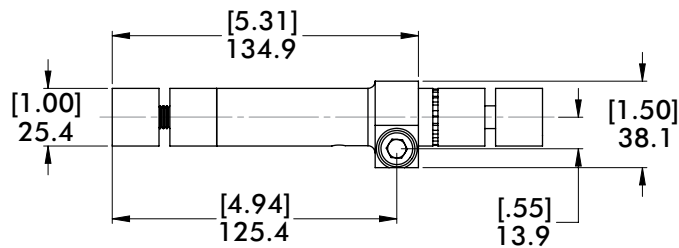
Specifications:

Maximum Clamp Load:
140 ft-lb [190 Nm]
Material:
Body and Insert:
Machined Aluminum
End:
Cast Aluminum

TSA-B112 Ø25mm/1.00" for Ø28.6mm [1.125"] Spherical Swivel Ball



Double-hinge design allows swivel arm to be mounted directly onto boom/tube and slid into position, without having to remove existing components to slide on from boom/tube end.



Model Number	(Ø)"D"	"A"	"B"	Weight	FINISH
CPI-55-1-TSA-B112	1.00"(in)	[5.65]	[7.47]	[0.93 lb]	SILVER
CPI-140-25-TSA-B112	25mm	143.6	189.6	0.42 kg	BLUE
CPI-75-1-TSA-B112	1.00"(in)	[7.65]	[9.47]	[1.00 lb]	SILVER
CPI-190-25-TSA-B112	25mm	194.4	240.4	0.45 kg	BLUE
CPI-95-1-TSA-B112	1.00"(in)	[9.65]	[11.47]	[1.07 lb]	SILVER
CPI-240-25-TSA-B112	25mm	245.2	291.2	0.49 kg	BLUE

EXTEND-ARM SWIVEL ARMS

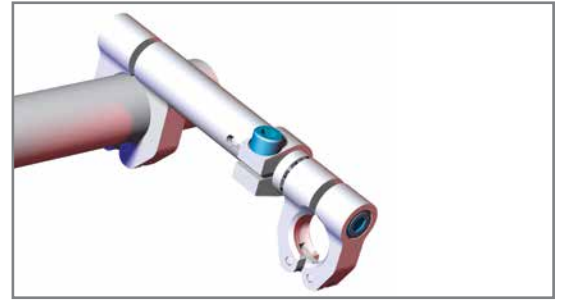
Round Tooling | Dimensions | Technical Specifications

Features:

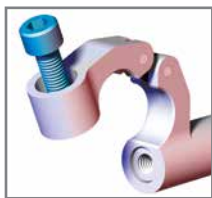
- Mounts swivel ball accessories to Ø40mm/1.50" round tube
- 50.8 [2.00] linear extension allows for precise adjustment
- Provides 360° of rotational adjustments along (3) axes
- Used to mount venturi, bumpers, round locators, and proximity switches

Specifications:

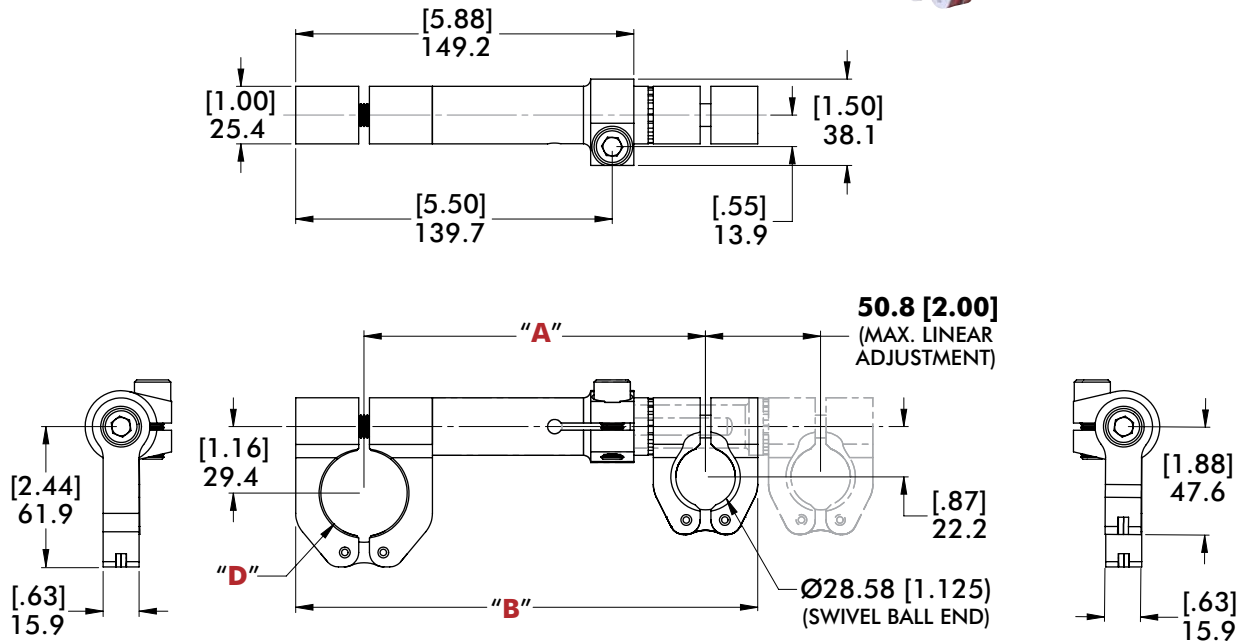
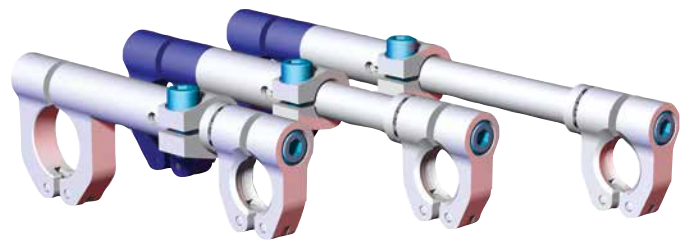
Maximum Clamp Load:
140 ft-lb [190 Nm]
Material:
Body and Insert:
Machined Aluminum
End:
Cast Aluminum



TSA-B112 Ø40mm/1.50" for Ø28.6mm [1.125"] Spherical Swivel Ball



Double-hinge design allows swivel arm to be mounted directly onto boom/tube and slid into position, without having to remove existing components to slide on from boom/tube end.



Model Number	(Ø)"D"	"A"	"B"	Weight	FINISH
CPI-55-150-TSA-B112	1.50"(in)	[5.93]	[8.03]	[1.03 lb]	SILVER
CPI-140-40-TSA-B112	40mm	150.7	203.9	0.47 kg	BLUE
CPI-75-150-TSA-B112	1.50"(in)	[7.93]	[10.03]	[1.10 lb]	SILVER
CPI-190-40-TSA-B112	40mm	201.5	254.7	0.50 kg	BLUE
CPI-95-150-TSA-B112	1.50"(in)	[9.93]	[12.03]	[1.17 lb]	SILVER
CPI-240-40-TSA-B112	40mm	252.3	305.5	0.53 kg	BLUE

MICRO TOOLING SWIVEL ARMS

Round Tooling | Dimensions | Technical Specifications

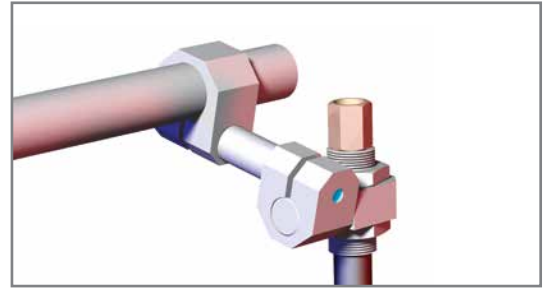
Nominal (Ø) given
See chart on Page 72
for actual (Ø) size

Features:

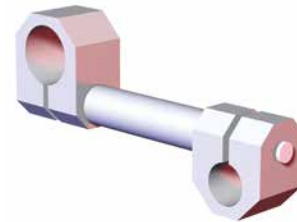
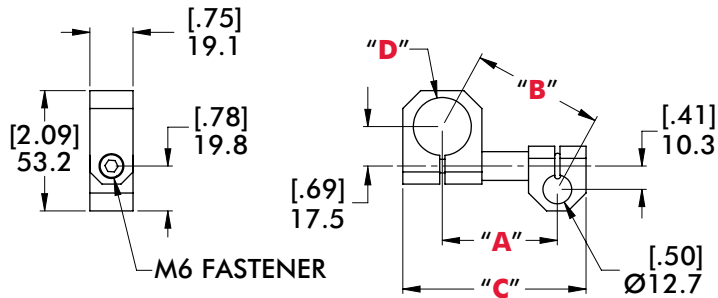
- Mounts micro apple core accessories to Ø20mm/.75" Round tube.
- Provides 360° of rotational adjustments along (3) axes.
- Used to mount venturi, bumpers, round locators, and proximity switches.

Specifications:

Maximum Clamp Load:
120 ft-lb [163 Nm]
Material:
Body and Spacer:
Machined Aluminum



MSA Ø20mm/.75" for Ø12.7mm [.50"] Apple Core (Micro)

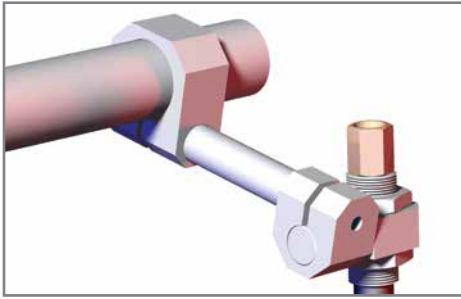


Model Number	(Ø) "D"	"A"	"B"	"C"	Weight
CPI-200-7550-MSA	.75"(in)	[2.00]	[2.28]	[3.19]	[0.16 lb]
CPI-200-20M50-MSA	20mm	50.8	57.9	81.0	0.07kg
CPI-300-7550-MSA	.75"(in)	[3.00]	[3.19]	[4.19]	[0.19 lb]
CPI-300-20M50-MSA	20mm	76.2	81.1	106.4	0.08kg
CPI-400-7550-MSA	.75"(in)	[4.00]	[4.15]	[5.19]	[0.21 lb]
CPI-400-20M50-MSA	20mm	101.7	105.4	131.9	0.09kg
CPI-500-7550-MSA	.75"(in)	[5.00]	[5.12]	[6.19]	[0.23 lb]
CPI-500-20M50-MSA	20mm	127.1	130.1	157.3	0.11kg
CPI-600-7550-MSA	.75"(in)	[6.00]	[6.10]	[7.19]	[0.26 lb]
CPI-600-20M50-MSA	20mm	152.5	155.0	182.7	0.12kg

MICRO TOOLING SWIVEL ARMS

Round Tooling | Dimensions | Technical Specifications

Nominal (Ø) given
See chart on Page 72
for actual (Ø) size



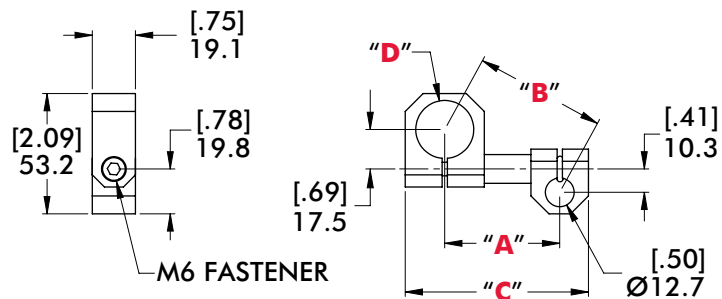
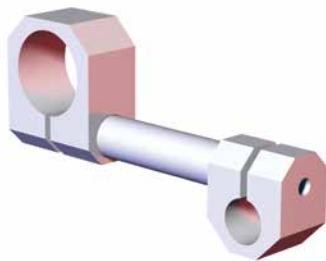
Features:

- Mounts micro apple core accessories to Ø25mm/1.00" Round tube
- Provides 360° of rotational adjustments along (3) axes
- Used to mount venturi, bumpers, round locators, and proximity switches

Specifications:

Maximum Clamp Load:
120 ft-lb [163 Nm]
Material:
Body and Spacer:
Machined Aluminum

MSA Ø25mm/1.00" for Ø12.7mm [.50"] Apple Core (Micro)



Model Number	(Ø)"D"	"A"	"B"	"C"	Weight
CPI-200-1050-MSA	1.00"(in)				
CPI-200-25M50-MSA	25mm	[2.00] 50.7	[2.23] 56.6	[3.06] 77.7	[0.18 lb] 0.08kg
CPI-300-1050-MSA	1.00"(in)				
CPI-300-25M50-MSA	25mm	[3.00] 76.1	[3.16] 80.2	[4.11] 104.4	[0.21 lb] 0.09kg
CPI-300-30B50-MSA	30mm				
CPI-400-1050-MSA	1.00"(in)				
CPI-400-25M50-MSA	25mm	[4.00] 101.6	[4.12] 104.7	[5.08] 129.0	[0.23 lb] 0.10kg
CPI-400-30B50-MSA	30mm				
CPI-500-1050-MSA	1.00"(in)				
CPI-500-25M50-MSA	25mm	[5.00] 127.0	[5.10] 129.5	[6.14] 156.0	[0.25 lb] 0.11kg
CPI-500-30B50-MSA	30mm				
CPI-600-1050-MSA	1.00"(in)				
CPI-600-25M50-MSA	25mm	[6.00] 152.4	[6.08] 154.4	[7.09] 180.0	[0.27 lb] 0.13kg
CPI-600-30B50-MSA	30mm				

STANDARD SWIVEL ARMS

Round Tooling | Dimensions | Technical Specifications



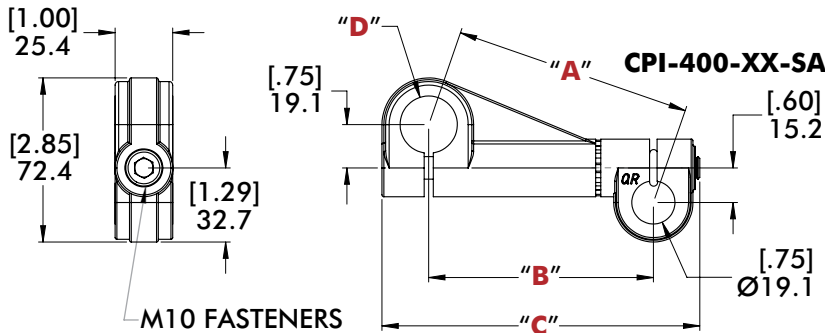
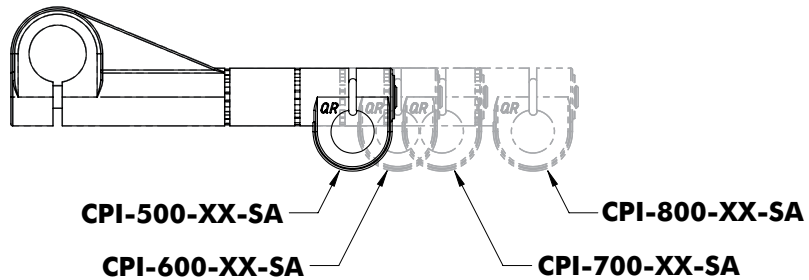
Features:

- Mounts apple core accessories to Ø25mm/1.00" round tube
- Provides 360° of rotational adjustments along (3) axes
- Used to mount venturi, bumpers, round locators, and proximity switches

Specifications:

Maximum Clamp Load:
200 ft-lb [271 Nm]
Material:
Body:
Cast Aluminum
Spacer:
Machined Aluminum

SA Ø25mm/1.00" for Ø19.1mm [.75"] Apple Core



Model Number	(Ø)"D"	"A"	"B"	"C"	Weight	FINISH
CPI-400-1-SA	1.00"(in)	[4.13]	[3.90]	[5.52]	[0.70 lb]	SILVER
CPI-100-25-SA	25mm	104.9	99.1	140.2	0.31 kg	BLUE
CPI-500-1-SA	1.00"(in)	[5.30]	[5.12]	[6.70]	[0.82 lb]	SILVER
CPI-140-25-SA	25mm	134.5	130.1	170.2	0.37 kg	BLUE
CPI-600-1-SA	1.00"(in)	[6.05]	[5.90]	[7.49]	[0.90 lb]	SILVER
CPI-160-25-SA	25mm	153.8	149.9	190.2	0.41 kg	BLUE
CPI-700-1-SA	1.00"(in)	[6.81]	[6.67]	[8.27]	[0.97 lb]	SILVER
CPI-180-25-SA	25mm	172.9	169.4	210.2	0.44 kg	BLUE
CPI-800-1-SA	1.00"(in)	[8.36]	[8.25]	[9.85]	[1.13 lb]	SILVER
CPI-200-25-SA	25mm	212.4	209.6	250.2	0.51 kg	BLUE

STANDARD SWIVEL ARMS

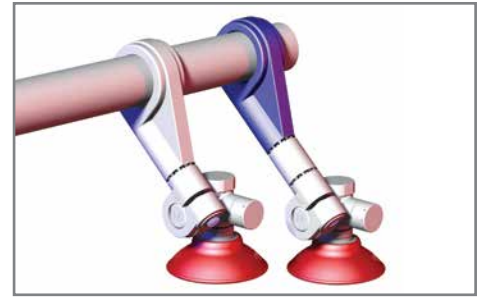
Round Tooling | Dimensions | Technical Specifications

Features:

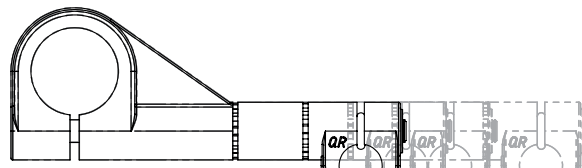
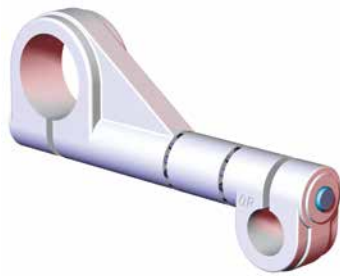
- Mounts apple core accessories to Ø40mm/1.50" round tube
- Provides 360° of rotational adjustments along (3) axes
- Used to mount venturi, bumpers, round locators, and proximity switches

Specifications:

Maximum Clamp Load:
200 ft-lb [271 Nm]
Material:
Body:
Cast Aluminum
Spacer:
Machined Aluminum



SA Ø40mm/1.50" for Ø19.1mm [.75"] Apple Core

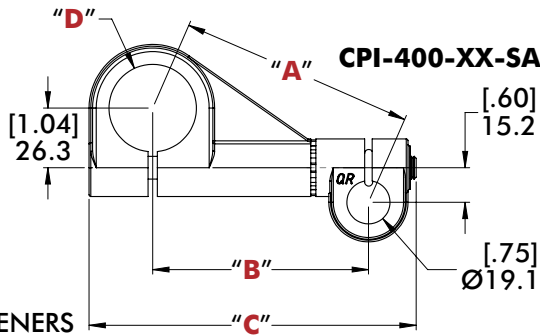
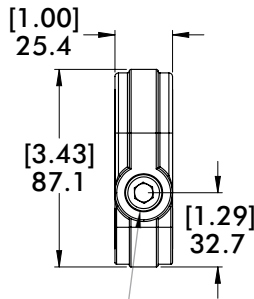


CPI-500-XX-SA

CPI-800-XX-SA

CPI-600-XX-SA

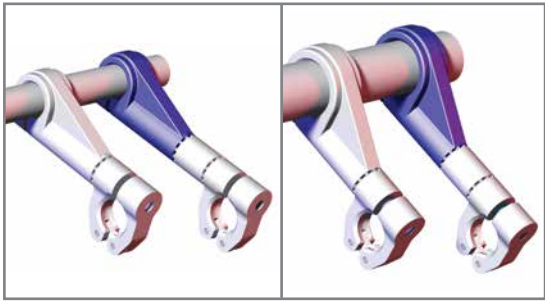
CPI-700-XX-SA



Model Number	(Ø) "D"	"A"	"B"	"C"	Weight	FINISH
CPI-400-15-SA	1.50"(in)	[4.09]	[3.75]	[5.68]	[0.78 lb]	SILVER
CPI-100-40-SA	40mm	103.8	95.2	144.3	0.35 kg	BLUE
CPI-500-15-SA	1.50"(in)	[5.23]	[4.97]	[6.86]	[0.89 lb]	SILVER
CPI-140-40-SA	40mm	132.8	126.1	174.3	0.41 kg	BLUE
CPI-600-15-SA	1.50"(in)	[5.97]	[5.75]	[7.65]	[0.97 lb]	SILVER
CPI-160-40-SA	40mm	151.8	146.0	194.3	0.44 kg	BLUE
CPI-700-15-SA	1.50"(in)	[6.72]	[6.52]	[8.44]	[1.05 lb]	SILVER
CPI-180-40-SA-SA	40mm	170.7	165.5	214.3	0.54 kg	BLUE
CPI-800-15-SA	1.50"(in)	[8.26]	[8.10]	[10.01]	[1.20 lb]	SILVER
CPI-200-40-SA	40mm	209.8	205.6	2.54	0.55 kg	BLUE

STANDARD SWIVEL ARMS

Round Tooling | Dimensions | Technical Specifications



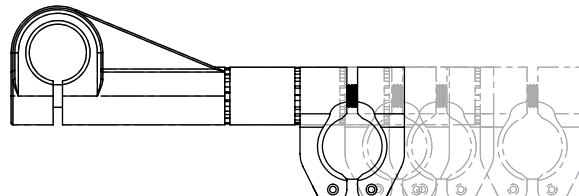
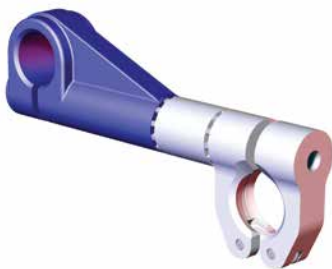
Features:

- Mounts swivel ball accessories to round tube
- Provides 360° of rotational adjustments along (3) axes
- Used to mount venturi, bumpers, round locators, and proximity switches

Specifications:

Maximum Clamp Load:
200 ft-lb [271 Nm]
Material:
Body:
Cast Aluminum
Spacer:
Machined Aluminum

SA-B112 Ø25mm/1.00" for Ø28.6mm [1.125"] Spherical Swivel Ball



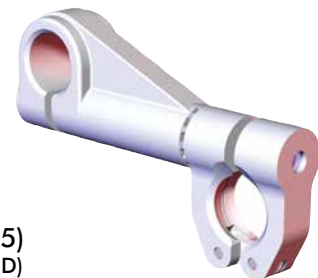
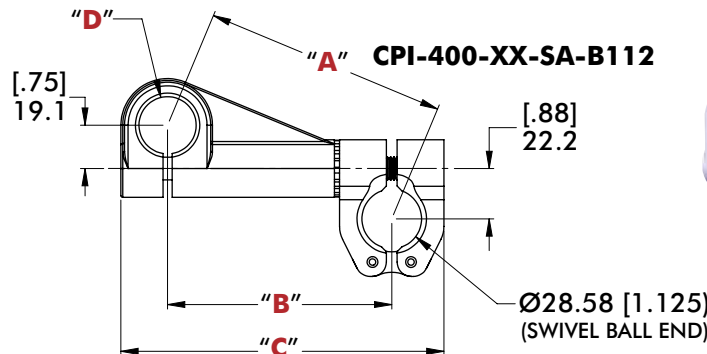
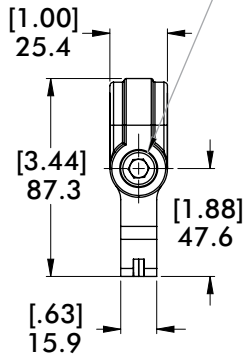
CPI-500-XX-SA-B112

CPI-800-XX-SA-B112

CPI-600-XX-SA-B112

CPI-700-XX-SA-B112

M10 FASTENER

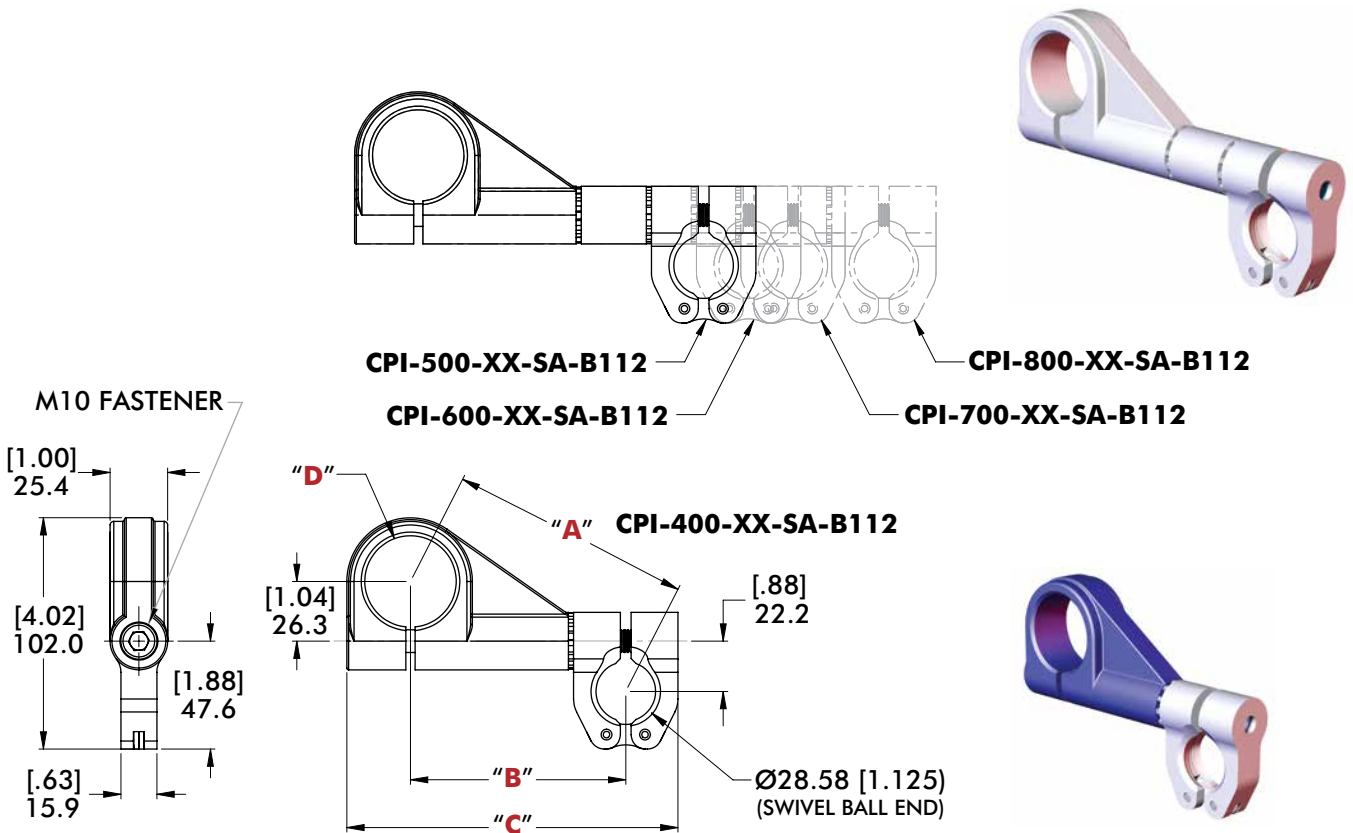


Model Number	(Ø)"D"	"A"	"B"	"C"	Weight	FINISH
CPI-400-1-SA-B112	1.00"(in)	[4.22]	[3.90]	[5.61]	[0.74 lb]	SILVER
CPI-100-25-SA-B112	25mm	107.2	98.9	142.6	0.34 kg	BLUE
CPI-500-1-SA-B112	1.00"(in)	[5.37]	[5.12]	[6.83]	[0.86 lb]	SILVER
CPI-140-25-SA-B112	25mm	136.3	129.9	173.5	0.39 kg	BLUE
CPI-600-1-SA-B112	1.00"(in)	[6.12]	[5.90]	[7.61]	[0.94 lb]	SILVER
CPI-160-25-SA-B112	25mm	155.3	149.7	193.4	0.43 kg	BLUE
CPI-700-1-SA-B112	1.00"(in)	[6.86]	[6.67]	[8.38]	[1.02 lb]	SILVER
CPI-180-25-SA-B112	25mm	174.3	169.3	212.9	0.46 kg	BLUE
CPI-800-1-SA-B112	1.00"(in)	[8.40]	[8.25]	[9.96]	[1.17 lb]	SILVER
CPI-200-25-SA-B112	25mm	213.5	209.4	253.0	0.53 kg	BLUE

STANDARD SWIVEL ARMS

Round Tooling | Dimensions | Technical Specifications

SA-B112 Ø40mm/1.50" for Ø28.6mm [1.125"] Spherical Swivel Ball



Model Number	(Ø)"D"	"A"	"B"	"C"	Weight	FINISH
CPI-400-15-SA-B112	1.50"(in)	[4.20]	[3.74]	[5.75]	[0.82 lb]	SILVER
CPI-100-40-SA-B112	40mm	106.7	95.0	146.1	0.37 kg	BLUE
CPI-500-15-SA-B112	1.50"(in)	[5.32]	[4.96]	[6.97]	[0.94 lb]	SILVER
CPI-140-40-SA-B112	40mm	135.0	126.0	177.1	0.42 kg	BLUE
CPI-600-15-SA-B112	1.50"(in)	[6.05]	[5.74]	[7.75]	[1.02 lb]	SILVER
CPI-160-40-SA-B112	40mm	153.7	145.8	196.9	0.46 kg	BLUE
CPI-700-15-SA-B112	1.50"(in)	[6.78]	[6.51]	[8.52]	[1.09 lb]	SILVER
CPI-180-40-SA-B112	40mm	172.3	165.4	216.5	0.50 kg	BLUE
CPI-800-15-SA-B112	1.50"(in)	[8.31]	[8.09]	[10.10]	[1.25 lb]	SILVER
CPI-200-40-SA-B112	40mm	211.1	205.5	256.6	0.56 kg	BLUE

STANDARD SWIVEL ARMS

Round Tooling | Dimensions | Technical Specifications



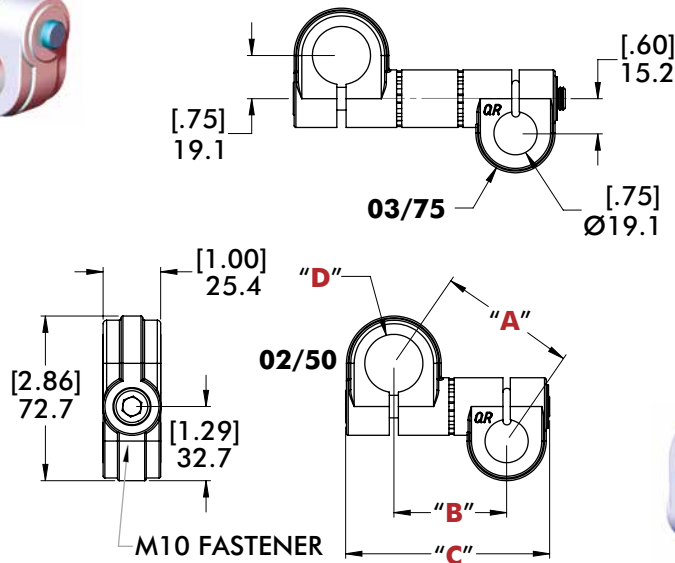
Features:

- Mounts apple core accessories to Ø25mm/1.00" round tube
- Provides 360° of rotational adjustments along (3) axes
- Used to mount venturi, bumpers, round locators, and proximity switches

Specifications:

Maximum Clamp Load:
200 ft-lb [271 Nm]
Material:
Body:
Cast Aluminum
Spacer:
Machined Aluminum

SAxx Single-Bolt Ø25mm/1.00" for Ø19.1mm [.75"] Apple Core

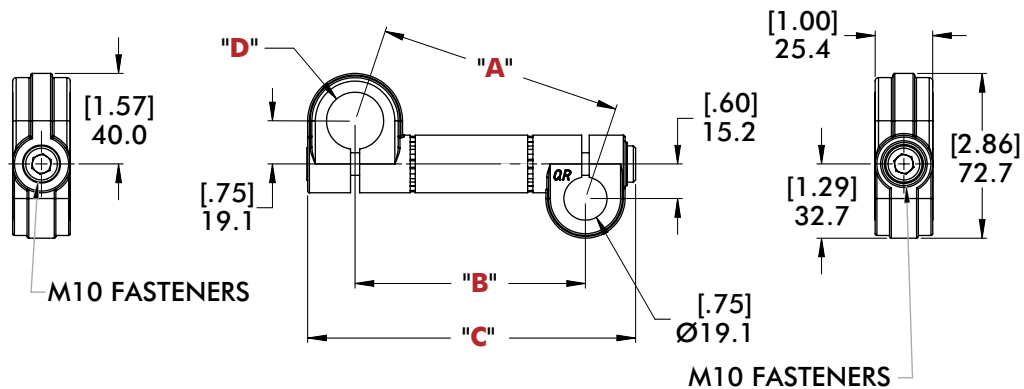


Model Number	(Ø)"D"	"A"	"B"	"C"	Weight	FINISH
CPI-SA10-100-075-02	1.00"(in)	[2.38]	[1.96]	[3.54]	[0.46 lb]	SILVER
CPI-SA25-25-19-50	25mm	60.4	49.8	90.0	0.21 kg	BLUE
CPI-SA10-100-075-03	1.00"(in)	[3.31]	[3.02]	[4.72]	[0.57 lb]	SILVER
CPI-SA25-25-19-75	25mm	84.1	76.8	120.0	0.26 kg	BLUE

STANDARD SWIVEL ARMS

Round Tooling | Dimensions | Technical Specifications

EDxx Double-Bolt Ø25mm/1.00" for Ø19.1mm [.75"] Apple Core



Model Number	(Ø)"D"	"A"	"B"	"C"	Weight	FINISH
CPI-ED10-100-075-04	1.00"(in)	[4.27] 108.4	[4.05] 102.9	[5.74] 145.9	[0.65 lb] 0.29 kg	SILVER
CPI-ED25-25-19-100	25mm	[4.22] 107.2	[4.00] 101.6	[5.69] 144.6		BLUE
CPI-ED10-100-075-05	1.00"(in)	[5.23] 132.8	[5.05] 128.3	[6.74] 171.3	[0.71 lb] 0.32 kg	SILVER
CPI-ED10-100-075-06	1.00"(in)	[6.20] 157.4	[6.05] 153.7	[7.74] 196.7	[0.78 lb]	SILVER
CPI-ED25-25-19-150	25mm	[6.13] 155.7	[5.98] 151.9	[7.67] 194.2	0.36 kg	BLUE
CPI-ED10-100-075-07	1.00"(in)	[7.18] 182.3	[7.05] 179.1	[8.74] 222.1	[0.85 lb] 0.39 kg	SILVER
CPI-ED10-100-075-08	1.00"(in)	[8.16] 207.3	[8.05] 204.5	[9.74] 247.5	[0.92 lb]	SILVER
CPI-ED25-25-19-200	25mm	[8.06] 204.8	[7.95] 201.9	[9.64] 244.9	0.42 kg	BLUE
CPI-ED10-100-075-09	1.00"(in)	[9.15] 232.4	[9.05] 229.9	[10.74] 272.9	[0.99 lb] 0.45 kg	SILVER
CPI-ED10-100-075-10	1.00"(in)	[10.14] 257.6	[10.05] 255.3	[11.74] 298.3	[1.06 lb]	SILVER
CPI-ED25-25-19-250	25mm	[10.01] 254.3	[9.92] 252.0	[11.61] 295.0	0.48 kg	BLUE
CPI-ED10-100-075-11	1.00"(in)	[11.13] 282.7	[11.05] 280.7	[12.74] 323.7	[1.13 lb] 0.51 kg	SILVER
CPI-ED10-100-075-12	1.00"(in)	[12.13] 308.0	[12.05] 306.1	[13.74] 349.0	[1.20 lb]	SILVER
CPI-ED25-25-19-300	25mm	[11.97] 303.9	[11.89] 302.0	[13.58] 345.0	0.54 kg	BLUE
CPI-ED10-100-075-13	1.00"(in)	[13.12] 338.2	[13.05] 331.5	[14.74] 374.5	[1.27 lb] 0.58 kg	SILVER
CPI-ED10-100-075-14	1.00"(in)	[14.11] 358.5	[14.05] 356.9	[15.74] 399.9	[1.34 lb]	SILVER
CPI-ED25-25-19-350	25mm	[13.92] 353.4	[13.85] 351.8	[15.54] 394.8	0.61 kg	BLUE
CPI-ED10-100-075-15	1.00"(in)	[15.11] 383.8	[15.05] 382.3	[16.74] 425.3	[1.41 lb] 0.64 kg	SILVER
CPI-ED10-100-075-16	1.00"(in)	[16.11] 409.1	[16.05] 407.7	[17.74] 450.7	[1.48 lb]	SILVER
CPI-ED25-25-19-400	25mm	[15.88] 403.3	[15.82] 401.8	[17.51] 444.9	0.67 kg	BLUE

STANDARD SWIVEL ARMS

Round Tooling | Dimensions | Technical Specifications



Features:

- Mounts apple core accessories to Ø40mm/1.50" round tube
- Provides 360° of rotational adjustments along (3) axes
- Used to mount venturi, bumpers, round locators, and proximity switches

Specifications:

Maximum Clamp Load:
200 ft-lb [271 Nm]

Material:

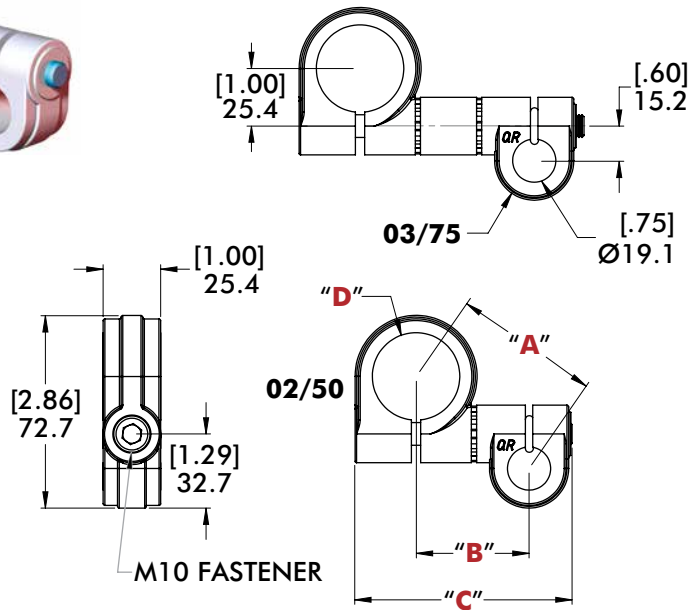
Body:

Cast Aluminum

Spacer:

Machined Aluminum

SAxx Single-Bolt Ø40mm/1.50" for Ø19.1mm [.75"] Apple Core

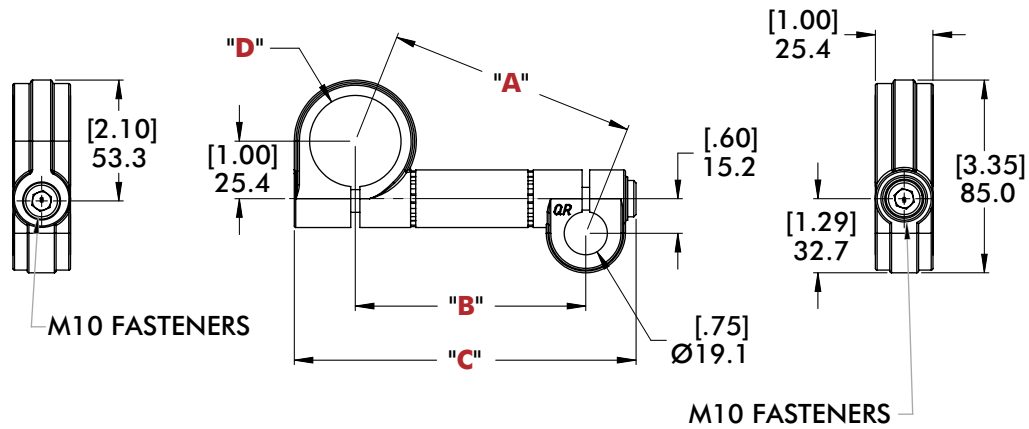


Model Number	(Ø) "D"	"A"	"B"	"C"	Weight	FINISH
CPI-SA10-150-075-02	1.50"(in)	[2.53]	[1.96]	[3.77]	[0.50 lb]	SILVER
CPI-SA25-40-19-50	40mm	64.3	49.8	95.9	0.23 kg	BLUE
CPI-SA10-150-075-03	1.50"(in)	[3.42]	[3.03]	[4.95]	[0.62 lb]	SILVER
CPI-SA25-40-19-75	40mm	87.0	76.9	125.9	0.28 kg	BLUE

STANDARD SWIVEL ARMS

Round Tooling | Dimensions | Technical Specifications

EDxx Double-Bolt Ø40mm/1.50" for Ø19.1mm [.75"] Apple Core

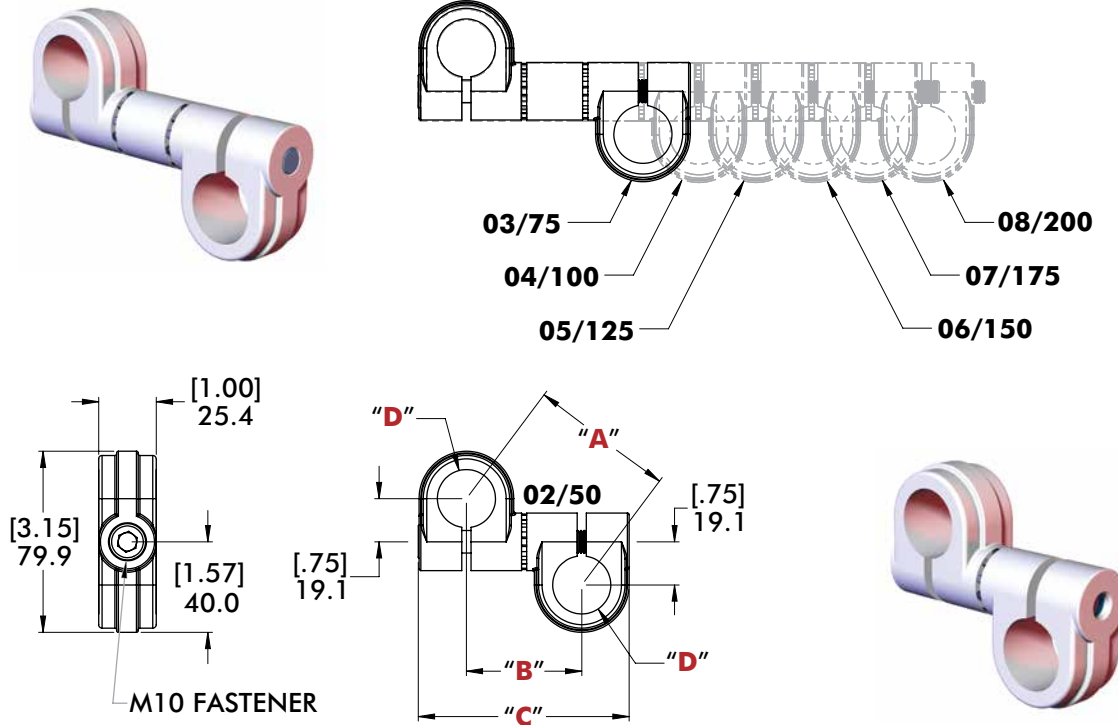


Model Number	(Ø)"D"	"A"	"B"	"C"	Weight	FINISH
CPI-ED10-150-075-04	1.50"(in)	[4.36] 110.7	[4.05] 102.9	[5.98] 152.0	[0.69 lb] 0.31 kg	SILVER
CPI-ED25-40-19-100	40mm	[4.31] 109.5	[4.00] 101.7	[5.93] 150.7		BLUE
CPI-ED10-150-075-05	1.50"(in)	[5.30] 134.6	[5.05] 128.3	[6.98] 177.4	[0.76 lb] 0.34 kg	SILVER
CPI-ED10-150-075-06	1.50"(in)	[6.26] 159.0	[6.05] 153.7	[7.98] 202.8	[0.83 lb] 0.38 kg	SILVER
CPI-ED25-40-19-150	40mm	[6.19] 157.3	[5.98] 152.0	[7.91] 201.0		BLUE
CPI-ED10-150-075-07	1.50"(in)	[7.23] 183.7	[7.05] 179.1	[8.98] 228.2	[0.90 lb] 0.41 kg	SILVER
CPI-ED10-150-075-08	1.50"(in)	[8.21] 208.5	[8.05] 204.5	[9.98] 253.6	[0.97 lb] 0.44 kg	SILVER
CPI-ED25-40-19-200	40mm	[8.11] 206.0	[7.95] 202.0	[9.88] 251.0		BLUE
CPI-ED10-150-075-09	1.50"(in)	[9.19] 233.5	[9.05] 229.9	[10.98] 279.0	[1.03 lb] 0.47 kg	SILVER
CPI-ED10-150-075-10	1.50"(in)	[10.18] 258.5	[10.05] 255.3	[11.98] 304.4	[1.10 lb] 0.50 kg	SILVER
CPI-ED25-40-19-250	40mm	[10.05] 255.3	[9.92] 252.0	[11.85] 308.1		BLUE
CPI-ED10-150-075-11	1.50"(in)	[11.17] 283.7	[11.05] 280.7	[12.98] 329.8	[1.17 lb] 0.53 kg	SILVER
CPI-ED10-150-075-12	1.50"(in)	[12.16] 308.8	[12.05] 306.1	[13.98] 355.2	[1.24 lb] 0.56 kg	SILVER
CPI-ED25-40-19-300	40mm	[12.00] 304.8	[11.89] 302.1	[13.82] 351.1		BLUE
CPI-ED10-150-075-13	1.50"(in)	[13.15] 334.0	[13.05] 331.5	[14.98] 380.6	[1.31 lb] 0.59 kg	SILVER
CPI-ED10-150-075-14	1.50"(in)	[14.14] 359.2	[14.05] 356.9	[15.98] 406.0	[1.38 lb] 0.63 kg	SILVER
CPI-ED25-40-19-350	40mm	[13.94] 354.2	[13.85] 351.9	[15.78] 400.9		BLUE
CPI-ED10-150-075-15	1.50"(in)	[15.14] 384.5	[15.05] 382.3	[16.98] 431.4	[1.45 lb] 0.66 kg	SILVER
CPI-ED10-150-075-16	1.50"(in)	[16.13] 409.8	[16.05] 407.7	[17.98] 456.8	[1.52 lb] 0.69 kg	SILVER
CPI-ED25-40-19-400	40mm	[15.90] 403.9	[15.82] 401.9	[18.00] 450.9		BLUE

TRANSITION SWIVEL ARMS

Round Tooling | Dimensions | Technical Specifications

SAxx Single-Bolt Ø25mm/1.00" to 25mm/Ø1.00"

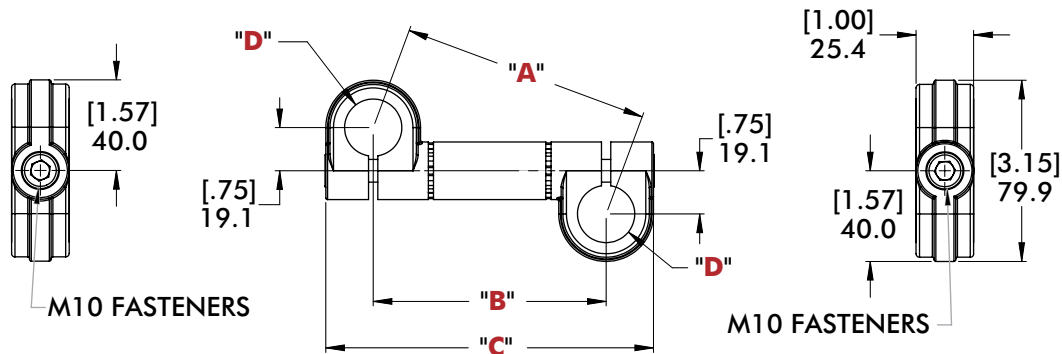


Model Number	(Ø)"D"	"A"	"B"	"C"	Weight	FINISH
CPI-SA10-100-100-02	1.00"(in)	[2.50]	[2.00]	[3.66]	[0.49 lb]	SILVER
CPI-SA25-25-25-50	25mm	63.6	50.9	93.1	0.22 kg	BLUE
CPI-SA10-100-100-03	1.00"(in)	[3.42]	[3.07]	[4.73]	[0.60 lb]	SILVER
CPI-SA25-25-25-75	25mm	86.7	77.9	120.1	0.27 kg	BLUE
CPI-SA10-100-100-04	1.00"(in)	[4.31]	[4.04]	[5.70]	[0.69 lb]	SILVER
CPI-SA25-25-25-100	25mm	109.6	102.7	144.9	0.31 kg	BLUE
CPI-SA10-100-100-05	1.00"(in)	[5.25]	[5.03]	[6.69]	[0.79 lb]	SILVER
CPI-SA25-25-25-125	25mm	133.4	127.9	170.0	0.36 kg	BLUE
CPI-SA10-100-100-06	1.00"(in)	[6.21]	[6.02]	[7.68]	[0.88 lb]	SILVER
CPI-SA25-25-25-150	25mm	157.7	153.0	195.2	0.40 kg	BLUE
CPI-SA10-100-100-07	1.00"(in)	[7.16]	[7.00]	[9.06]	[1.00 lb]	SILVER
CPI-SA25-25-25-175	25mm	181.9	177.9	230.0	0.45 kg	BLUE
CPI-SA10-100-100-08	1.00"(in)	[8.13]	[7.99]	[9.84]	[1.09 lb]	SILVER
CPI-SA25-25-25-200	25mm	206.6	203.0	250.0	0.50 kg	BLUE

TRANSITION SWIVEL ARMS

Round Tooling | Dimensions | Technical Specifications

EDxx Double-Bolt Ø25mm/1.00" to Ø25mm/1.00"

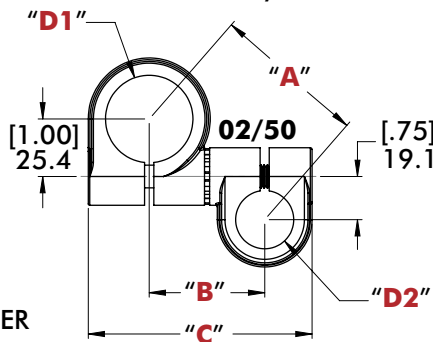
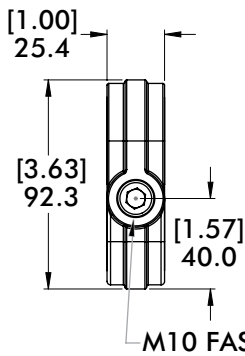
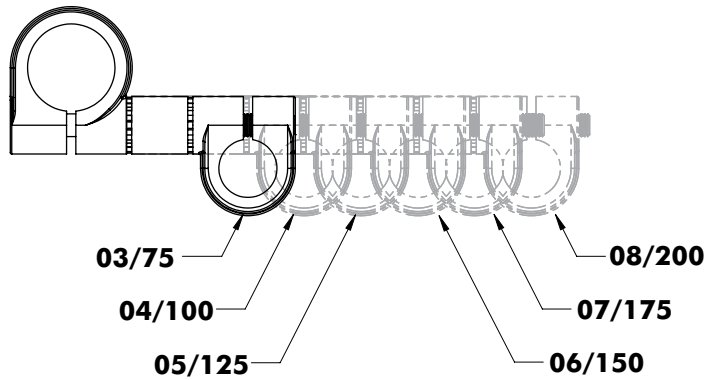
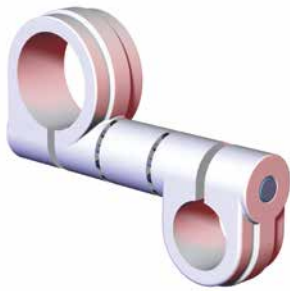


Model Number	(Ø) "D"	"A"	"B"	"C"	Weight	FINISH
CPI-ED10-100-100-04	1.00"(in)	[4.36] 110.7	[4.09] 104.0	[5.74] 145.8	[0.67 lb] 0.30 kg	SILVER
CPI-ED25-25-25-100	25mm	[4.31] 109.6	[4.04] 102.7	[5.69] 144.5		BLUE
CPI-ED10-100-100-05	1.00"(in)	[5.31] 134.9	[5.09] 129.4	[6.74] 171.2	[0.74 lb] 0.34 kg	SILVER
CPI-ED10-100-100-06	1.00"(in)	[6.28] 159.4	[6.09] 154.8	[7.74] 196.6	[0.81 lb]	SILVER
CPI-ED25-25-25-150	25mm	[6.21] 157.7	[6.02] 153.0	[7.67] 194.8	0.37 kg	BLUE
CPI-ED10-100-100-07	1.00"(in)	[7.25] 184.2	[7.09] 180.2	[8.74] 222.0	[0.88 lb] 0.40 kg	SILVER
CPI-ED10-100-100-08	1.00"(in)	[8.23] 209.1	[8.09] 205.6	[9.74] 247.4	[0.95 lb]	SILVER
CPI-ED25-25-25-200	25mm	[8.13] 206.6	[7.99] 203.0	[9.64] 244.9	0.43 kg	BLUE
CPI-ED10-100-100-09	1.00"(in)	[9.22] 234.1	[9.09] 231.0	[10.74] 272.8	[1.02 lb] 0.46 kg	SILVER
CPI-ED10-100-100-10	1.00"(in)	[10.20] 259.2	[10.09] 256.4	[11.74] 298.2	[1.09 lb]	SILVER
CPI-ED25-25-25-250	25mm	[10.08] 255.9	[9.96] 253.1	[11.61] 294.9	0.49 kg	BLUE
CPI-ED10-100-100-11	1.00"(in)	[11.19] 284.4	[11.09] 281.8	[12.74] 323.6	[1.15 lb] 0.52 kg	SILVER
CPI-ED10-100-100-12	1.00"(in)	[12.19] 309.5	[12.09] 307.2	[13.74] 349.0	[1.22 lb]	SILVER
CPI-ED25-25-25-300	25mm	[12.03] 305.5	[11.93] 303.1	[13.58] 344.9	0.56 kg	BLUE
CPI-ED10-100-100-13	1.00"(in)	[13.18] 334.8	[13.09] 332.6	[14.74] 374.4	[1.29 lb] 0.59 kg	SILVER
CPI-ED10-100-100-14	1.00"(in)	[14.17] 360.0	[14.09] 358.0	[15.74] 399.8	[1.36 lb]	SILVER
CPI-ED25-25-25-350	25mm	[13.97] 355.0	[13.89] 352.9	[15.54] 394.7	0.62 kg	BLUE
CPI-ED10-100-100-15	1.00"(in)	[15.17] 385.3	[15.09] 383.4	[16.74] 425.2	[1.43 lb] 0.65 kg	SILVER
CPI-ED10-100-100-16	1.00"(in)	[16.16] 410.6	[16.09] 408.8	[17.74] 450.6	[1.50 lb]	SILVER
CPI-ED25-25-25-400	25mm	[15.93] 404.7	[15.86] 402.9	[17.51] 444.8	0.68 kg	BLUE

TRANSITION SWIVEL ARMS

Round Tooling | Dimensions | Technical Specifications

SAxx Single-Bolt Ø40mm/1.50" to Ø25mm/1.00"

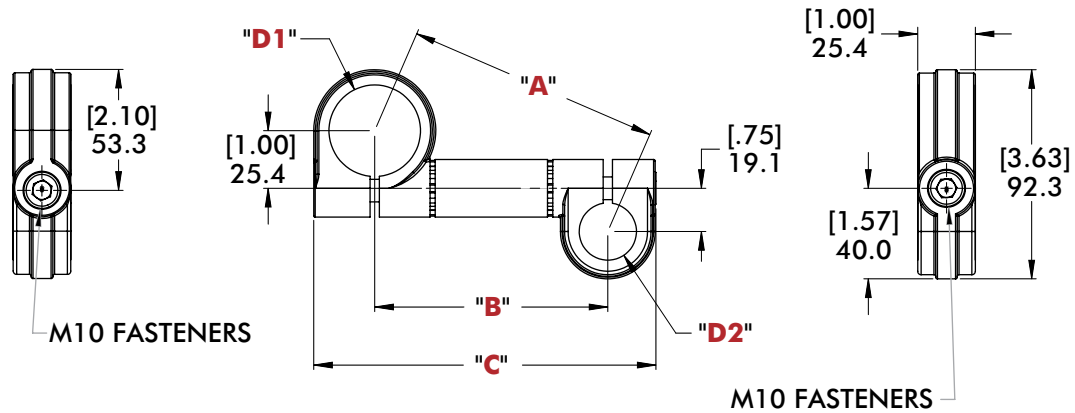


Model Number	(Ø)"D1"	(Ø)"D2"	"A"	"B"	"C"	Weight	FINISH
CPI-SA10-150-100-02	1.50"(in)	1.00"(in)	[2.66]	[2.01]	[3.89]	[0.53 lb]	SILVER
CPI-SA25-40-25-50	40mm	25mm	67.6	51.0	98.8	0.24 kg	BLUE
CPI-SA10-150-100-03	1.50"(in)	1.00"(in)	[3.53]	[3.07]	[4.95]	[0.64 lb]	SILVER
CPI-SA25-40-25-75	40mm	25mm	89.8	78.0	125.7	0.29 kg	BLUE
CPI-SA10-150-100-04	1.50"(in)	1.00"(in)	[4.41]	[4.05]	[5.93]	[0.73 lb]	SILVER
CPI-SA25-40-25-100	40mm	25mm	112.0	102.8	150.6	0.33 kg	BLUE
CPI-SA10-150-100-05	1.50"(in)	1.00"(in)	[5.33]	[5.04]	[6.92]	[0.83 lb]	SILVER
CPI-SA25-40-25-125	40mm	25mm	135.4	127.9	175.8	0.38 kg	BLUE
CPI-SA10-150-100-06	1.50"(in)	1.00"(in)	[6.28]	[6.03]	[7.91]	[0.93 lb]	SILVER
CPI-SA25-40-25-150	40mm	25mm	159.4	153.1	200.9	0.42 kg	BLUE
CPI-SA10-150-100-07	1.50"(in)	1.00"(in)	[7.22]	[7.01]	[8.89]	[1.04 lb]	SILVER
CPI-SA25-40-25-175	40mm	25mm	183.4	178.0	225.8	0.47 kg	BLUE
CPI-SA10-150-100-08	1.50"(in)	1.00"(in)	[8.19]	[8.00]	[9.88]	[1.13 lb]	SILVER
CPI-SA25-40-25-200	40mm	25mm	207.9	203.1	251.0	0.51 kg	BLUE

TRANSITION SWIVEL ARMS

Round Tooling | Dimensions | Technical Specifications

EDxx Double-Bolt Ø40mm/1.50" to Ø25mm/1.00"

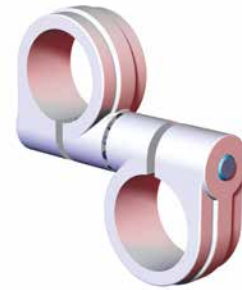
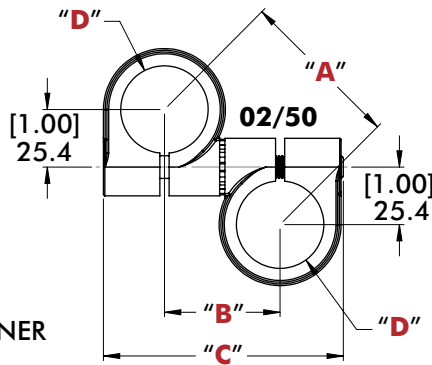
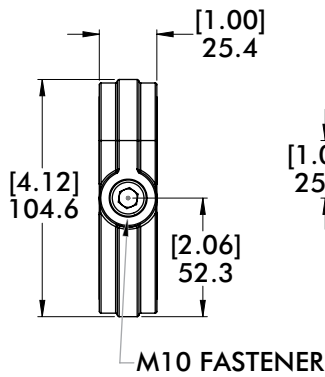
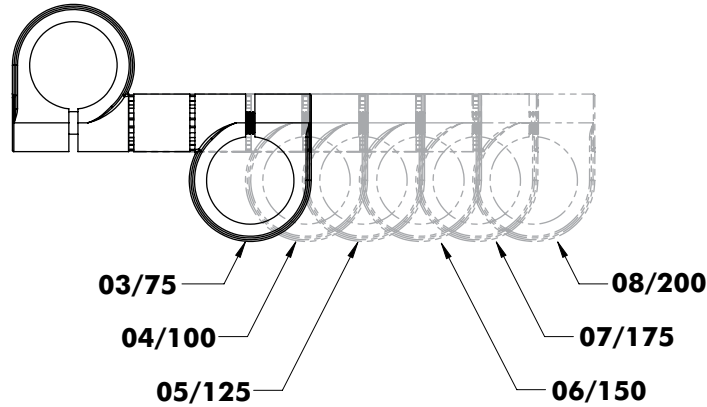
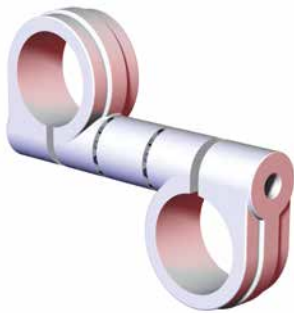


Model Number	(Ø)"D1"	(Ø)"D2"	"A"	"B"	"C"	Weight	FINISH
CPI-ED10-150-100-04	1.50"(in)	1.00"(in)	[4.46] 113.2	[4.10] 104.1	[5.98] 151.9	[0.71 lb] 0.32 kg	SILVER
CPI-ED25-40-25-100	40mm	25mm	[4.41] 112.8	[4.05] 102.8	[5.93] 150.6		BLUE
CPI-ED10-150-100-05	1.50"(in)	1.00"(in)	[5.39] 136.9	[5.10] 129.5	[6.98] 177.3	[0.78 lb] 0.36 kg	SILVER
CPI-ED10-150-100-06	1.50"(in)	1.00"(in)	[6.34] 161.1	[6.10] 154.9	[7.98] 202.7	[0.85 lb]	SILVER
CPI-ED25-40-25-150	40mm	25mm	[6.28] 159.4	[6.03] 153.1	[7.91] 200.9	0.39 kg	BLUE
CPI-ED10-150-100-07	1.50"(in)	1.00"(in)	[7.31] 185.7	[7.10] 180.3	[8.98] 228.1	[0.92 lb] 0.42 kg	SILVER
CPI-ED10-150-100-08	1.50"(in)	1.00"(in)	[8.28] 210.4	[8.10] 205.7	[9.98] 253.5	[0.99 lb]	SILVER
CPI-ED25-40-25-200	40mm	25mm	[8.19] 207.9	[8.00] 203.1	[9.88] 251.0	0.45 kg	BLUE
CPI-ED10-150-100-09	1.50"(in)	1.00"(in)	[9.26] 235.3	[9.10] 231.1	[10.98] 278.9	[1.06 lb] 0.48 kg	SILVER
CPI-ED10-150-100-10	1.50"(in)	1.00"(in)	[10.25] 260.3	[10.10] 256.5	[11.98] 304.3	[1.13 lb]	SILVER
CPI-ED25-40-25-250	40mm	25mm	[10.12] 257.03	[9.97] 253.2	[11.85] 301.0	0.51 kg	BLUE
CPI-ED10-150-100-11	1.50"(in)	1.00"(in)	[11.23] 285.3	[11.10] 281.9	[12.98] 329.7	[1.20 lb] 0.54 kg	SILVER
CPI-ED10-150-100-12	1.50"(in)	1.00"(in)	[12.22] 310.5	[12.10] 307.3	[13.98] 355.1	[1.27 lb]	SILVER
CPI-ED25-40-25-300	40mm	25mm	[12.06] 306.4	[11.94] 303.2	[13.82] 351.03	0.57 kg	BLUE
CPI-ED10-150-100-13	1.50"(in)	1.00"(in)	[13.21] 335.6	[13.10] 332.7	[14.98] 380.5	[1.34 lb] 0.61 kg	SILVER
CPI-ED10-150-100-14	1.50"(in)	1.00"(in)	[14.21] 360.8	[14.10] 358.1	[15.98] 405.9	[1.41 lb]	SILVER
CPI-ED25-40-25-350	40mm	25mm	[14.00] 355.8	[13.90] 353.0	[15.78] 400.8	0.64 kg	BLUE
CPI-ED10-150-100-15	1.50"(in)	1.00"(in)	[15.20] 386.0	[15.10] 383.5	[16.98] 431.3	[1.47 lb] 0.67 kg	SILVER
CPI-ED10-150-100-16	1.50"(in)	1.00"(in)	[16.19] 411.3	[16.10] 408.9	[17.98] 456.7	[1.54 lb]	SILVER
CPI-ED25-40-25-400	40mm	25mm	[15.96] 405.5	[15.87] 403.0	[17.75] 450.9	0.70 kg	BLUE

TRANSITION SWIVEL ARMS

Round Tooling | Dimensions | Technical Specifications

SAxx Single-Bolt Ø40mm/1.50" to Ø40mm/1.50"

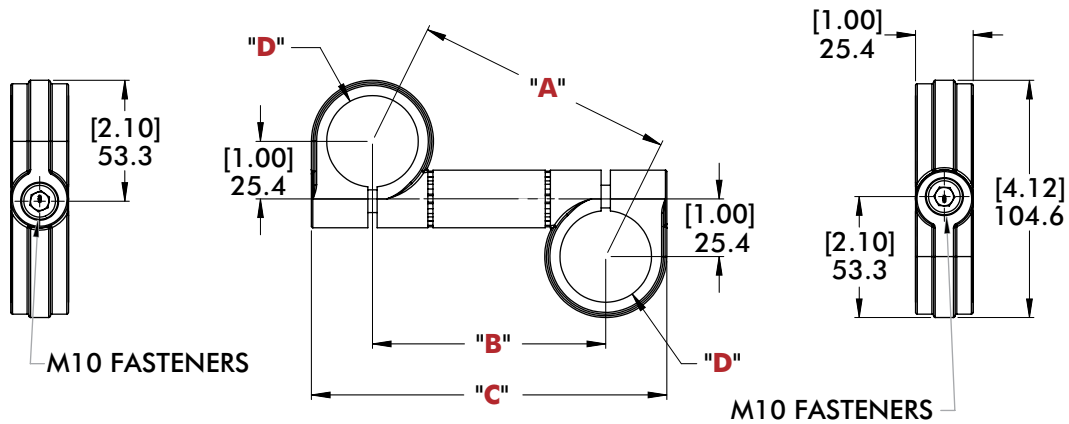


Model Number	(Ø)"D"	"A"	"B"	"C"	Weight	FINISH
CPI-SA10-150-150-02	1.50"(in)	[2.84]	[2.01]	[4.17]	[0.59 lb]	SILVER
CPI-SA25-40-40-50	40mm	72.0	51.1	105.9	0.27 kg	BLUE
CPI-SA10-150-150-03	1.50"(in)	[3.67]	[3.07]	[5.19]	[0.69 lb]	SILVER
CPI-SA25-40-40-75	40mm	93.2	78.1	131.9	0.31 kg	BLUE
CPI-SA10-150-150-04	1.50"(in)	[4.52]	[4.05]	[6.17]	[0.79 lb]	SILVER
CPI-SA25-40-40-100	40mm	114.7	102.9	156.7	0.36 kg	BLUE
CPI-SA10-150-150-05	1.50"(in)	[5.42]	[5.04]	[7.16]	[0.88 lb]	SILVER
CPI-SA25-40-40-125	40mm	137.7	128.0	181.9	0.40 kg	BLUE
CPI-SA10-150-150-06	1.50"(in)	[6.35]	[6.03]	[8.15]	[0.97 lb]	SILVER
CPI-SA25-40-40-150	40mm	161.4	153.2	207.0	0.44 kg	BLUE
CPI-SA10-150-150-07	1.50"(in)	[7.29]	[7.01]	[9.13]	[1.09 lb]	SILVER
CPI-SA25-40-40-175	40mm	185.2	178.1	231.9	0.49 kg	BLUE
CPI-SA10-150-150-08	1.50"(in)	[8.25]	[8.00]	[10.12]	[0.54 lb]	SILVER
CPI-SA25-40-40-200	40mm	209.5	203.2	257.0	1.18 kg	BLUE

TRANSITION SWIVEL ARMS

Round Tooling | Dimensions | Technical Specifications

EDxx Double-Bolt Ø40mm/1.50" to Ø40mm/1.50"

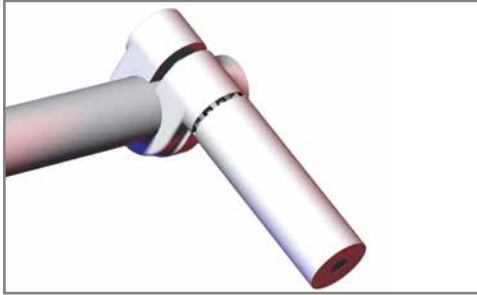


Model Number	(Ø)"D"	"A"	"B"	"C"	Weight	FINISH
CPI-ED10-150-150-04	1.50"(in)	[4.56] 115.9	[4.10] 104.1	[6.22] 158.0	[0.76 lb]	SILVER
CPI-ED25-40-40-100	40mm	[4.52] 114.7	[4.05] 102.9	[6.17] 156.7	0.34 kg	BLUE
CPI-ED10-150-150-06	1.50"(in)	[6.42] 163.1	[6.10] 154.9	[8.22] 208.8	[0.90 lb]	SILVER
CPI-ED25-40-40-150	40mm	[6.35] 161.4	[6.03] 153.2	[8.15] 207.0	0.41 kg	BLUE
CPI-ED10-150-150-08	1.50"(in)	[8.34] 211.9	[8.10] 205.7	[10.22] 259.6	[1.03 lb]	SILVER
CPI-ED25-40-40-200	40mm	[8.25] 209.5	[8.00] 203.2	[10.12] 257.0	0.47 kg	BLUE
CPI-ED10-150-150-10	1.50"(in)	[10.30] 261.5	[10.10] 256.4	[12.22] 310.4	[1.17 lb]	SILVER
CPI-ED25-40-40-250	40mm	[10.17] 258.3	[9.97] 253.2	[12.09] 307.1	0.53 kg	BLUE
CPI-ED10-150-150-12	1.50"(in)	[12.27] 311.5	[12.10] 307.3	[14.22] 361.2	[1.31 lb]	SILVER
CPI-ED25-40-40-300	40mm	[12.11] 307.5	[11.94] 303.3	[14.06] 357.1	0.59 kg	BLUE
CPI-ED10-150-150-14	1.50"(in)	[14.24] 361.7	[14.10] 358.1	[16.22] 411.98	[1.45 lb]	SILVER
CPI-ED25-40-40-350	40mm	[14.03] 356.7	[13.90] 353.1	[16.02] 406.9	0.66 kg	BLUE
CPI-ED10-150-150-16	1.50"(in)	[16.22] 412.1	[16.10] 408.9	[18.22] 462.7	[1.59 lb]	SILVER
CPI-ED25-40-40-400	40mm	[16.00] 406.3	[15.87] 403.1	[18.00] 457.0	0.72 kg	BLUE

SINGLE END EXTENSIONS

Round Tooling | Dimensions | Technical Specifications

ES Rod End and Mounting Extensions



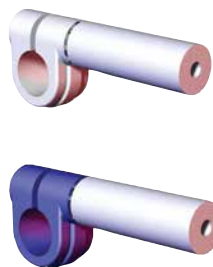
Features:

- Mounts to round tube for extended mounting options
- Provides 360° of rotational adjustments along a single axis

Specifications:

Maximum Clamp Load:
200 ft-lb [271 Nm]
Material:
Body:
Cast Aluminum
Extension:
Machined Aluminum

ES Ø25mm/1.00" Rod End Extensions



"L" = Specify Length from Below

English Lengths:

From **03**(3.00") to **28**(28.00")
in 1.00" Increments

Order Example

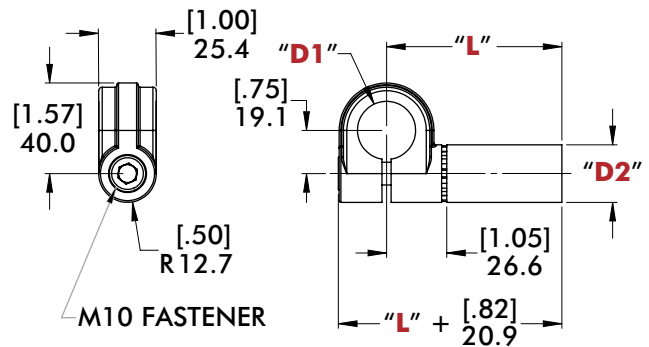
CPI-ES10-100-06 (6.00" Length)

Metric Lengths:

From **50**(50mm) to **400**(400mm)
in 50mm Increments

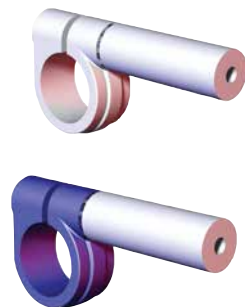
Order Example

CPI-ES25-25-250 (250mm Length)



Model Number	(Ø)"D1"	(Ø)"D2"	Weight (Base + Additional Increments)	FINISH
CPI-ES10-100-"L"	1.00"(in)	1.00"(in)	Base Length "L" 03 = 0.19 kg [0.42 lb] Add .031 kg [.068 lb] per additional increment	SILVER
CPI-ES25-25-"L"	25mm	25mm	Base Length "L" 100 = 0.22 kg [0.49 lb] Add .061 kg [.134 lb] per additional increment	BLUE

ES Ø40mm/1.50" Rod End Extensions



"L" = Specify Length from Below

English Lengths:

From **03**(3.00") to **28**(28.00")
in 1.00" Increments

Order Example

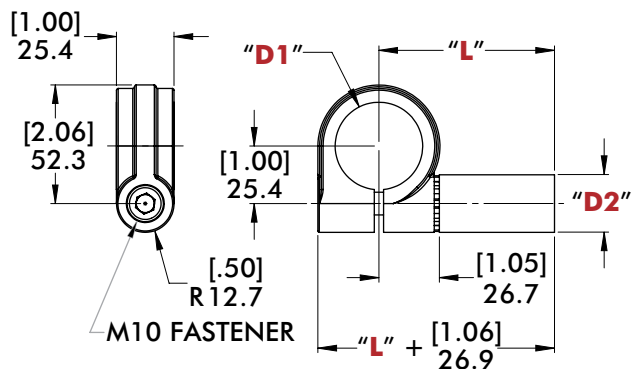
CPI-ES10-150-06 (6.00" Length)

Metric Lengths:

From **50**(50mm) to **400**(400mm)
in 50mm Increments

Order Example

CPI-ES25-40-250 (250mm Length)



Model Number	(Ø)"D1"	(Ø)"D2"	Weight (Base + Additional Increments)	FINISH
CPI-ES10-150-"L"	1.50"(in)	1.00"(in)	Base Length "L" 03 = 0.21 kg [0.46 lb] Add .031 kg [.068 lb] per additional increment	SILVER
CPI-ES25-40-"L"	40mm	25mm	Base Length "L" 100 = 0.23 kg [0.51 lb] Add .061 kg [.134 lb] per additional increment	BLUE

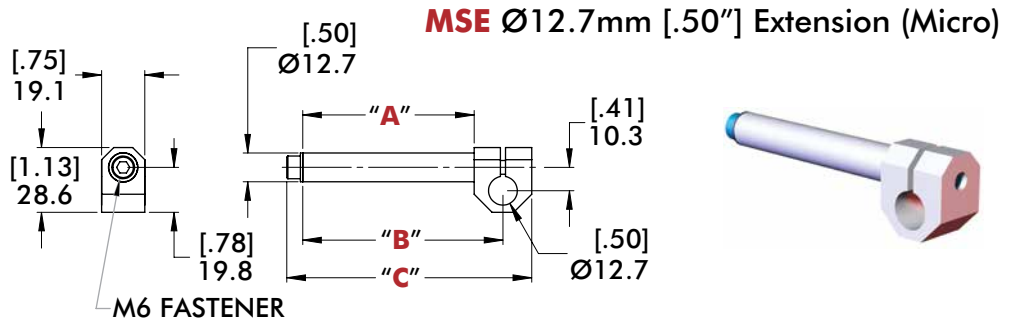
SINGLE END EXTENSIONS

Round Tooling | Dimensions | Technical Specifications

Nominal (\varnothing) given
See chart on Page 72
for actual (\varnothing) size

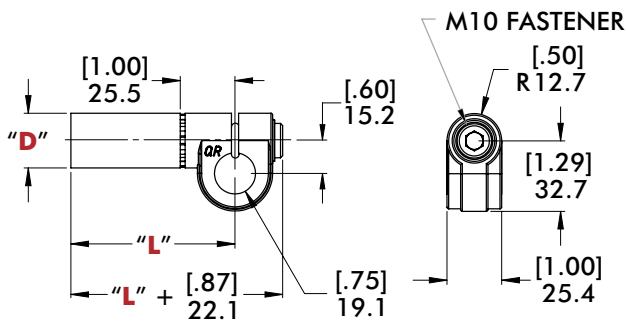


Mounting End
Extensions
CPI-ES10-075-06
(Shown Above)



Model Number	"A"	"B"	"C"	Weight
CPI-MSE-50-50-03	[2.98] 75.6	[3.48] 88.3	[4.25] 108.1	[0.14 lb] 0.06 kg
CPI-MSE-50-50-06	[5.73] 145.5	[6.23] 158.2	[7.00] 177.9	[0.20 lb] 0.09 kg

ES $\varnothing 25\text{mm}/1.00''$ Extension for $\varnothing 19.1\text{mm}$ [.75"] Apple Core



"L" = Specify Length from Below

English Lengths:

From 03(3.00") to 28(28.00")
in 1.00" Increments

Order Example

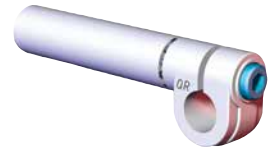
CPI-ES10-075-06 (6.00" Length)

Metric Lengths:

From 50(50mm) to 400(400mm)
in 50mm Increments

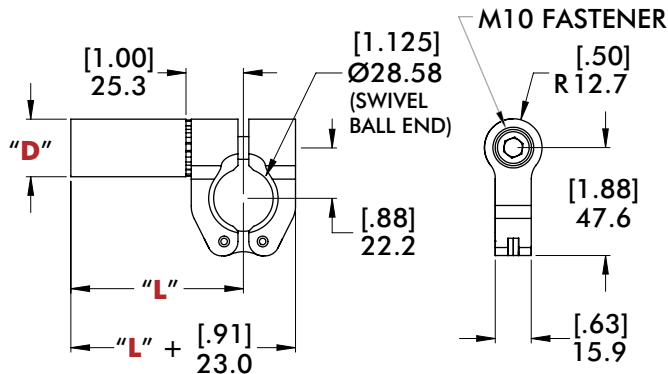
Order Example

CPI-ES25-19-250 (250mm Length)



Model Number	(\varnothing) "D"	Weight (Base + Additional Increments)	FINISH
CPI-ES10-075-"L"	1.00"(in)	Base Length "L" 03 = 0.17 kg [0.38 lb] Add .031 kg [.068 lb] per additional increment	SILVER
CPI-ES25-19-"L"	25mm	Base Length "L" 100 = 0.22 kg [0.49 lb] Add .031 kg [.068 lb] per additional increment	BLUE

ESxx $\varnothing 25\text{mm}/1.00''$ Extension for $\varnothing 28.6\text{mm}$ [1.125"] Spherical Swivel Ball



"L" = Specify Length from Below

English Lengths:

From 03(3.00") to 18(18.00")
in 1.00" Increments

Order Example

CPI-ES10-B112-06 (6.00" Length)

Metric Lengths

From 50 (50mm) to 400(400mm)
in 25mm Increments

Order Example

CPI-ES25-B112-75 (75mm Length)

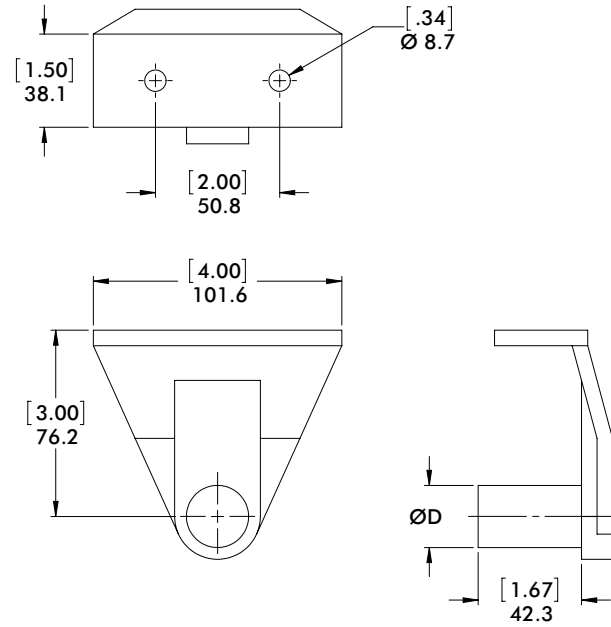
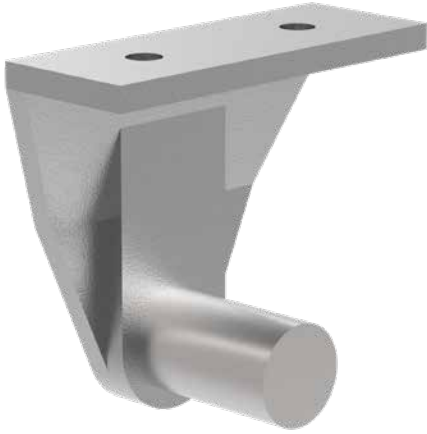


Model Number	(\varnothing) "D"	Weight (Base + Additional Increments)	FINISH
CPI-ES10-B112-"L"	1.00"(in)	Base Length "L" 03 = 0.23 kg [0.51 lb] Add .031 kg [.068 lb] per additional increment	SILVER
CPI-ES25-B112-"L"	25mm	Base Length "L" 100 = 0.23 kg [0.51 lb] Add .029 kg [.064 lb] per additional increment	BLUE

NEST PAD BRACKETS

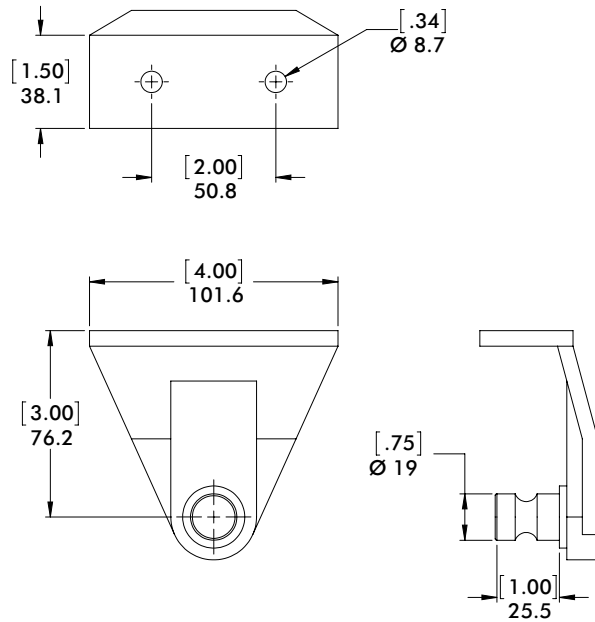
Round Tooling | Dimensions | Technical Specifications

EST



Model Number	ØD	Weight
CPI-EST-00-1E-24	1 in	142 g [5 oz.]
CPI-EST-00-25-410	25mm	142 g [5 oz.]

EST Apple Core Version

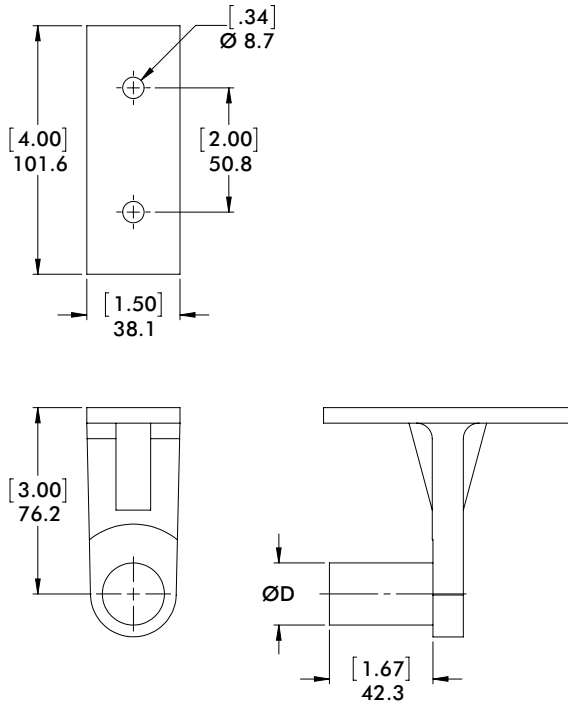


Model Number	Weight
CPI-EST-00-075-24	142 g [5 oz.]
CPI-EST-00-19-410	142 g [5 oz.]

NEST PAD BRACKETS

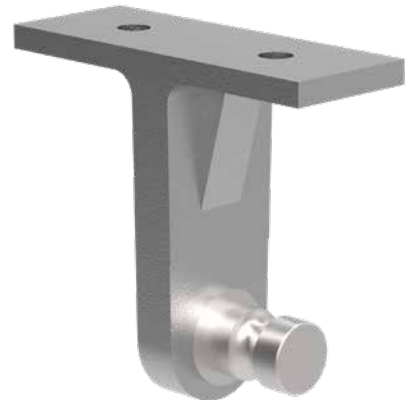
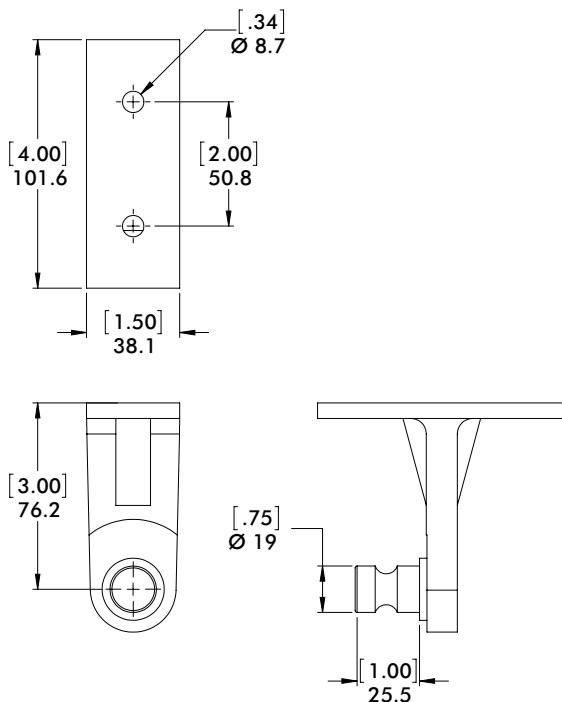
Round Tooling | Dimensions | Technical Specifications

EST 90° Version



Model Number	ØD	Weight
CPI-EST-90-1E-24	1 in	142 g [5 oz.]
CPI-EST-90-25E-410	25mm	142 g [5 oz.]

EST Apple Core 90° Version

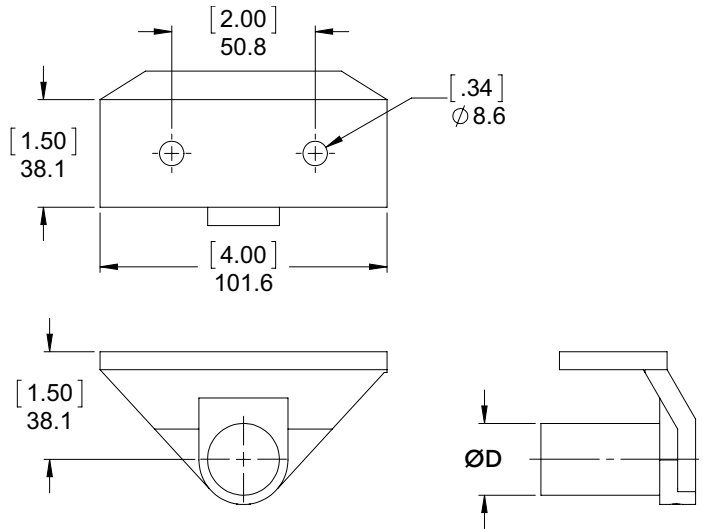
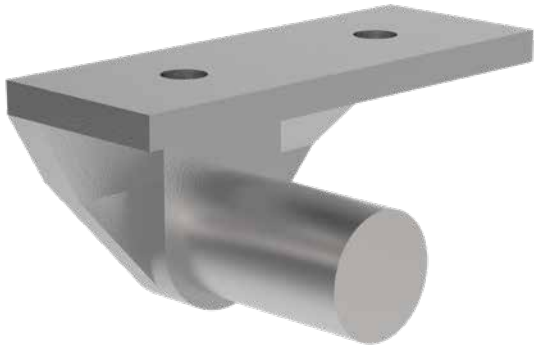


Model Number	Weight
CPI-EST-90-075-24	142 g [5 oz.]
CPI-EST-90-19-410	142 g [5 oz.]

NEST PAD BRACKETS

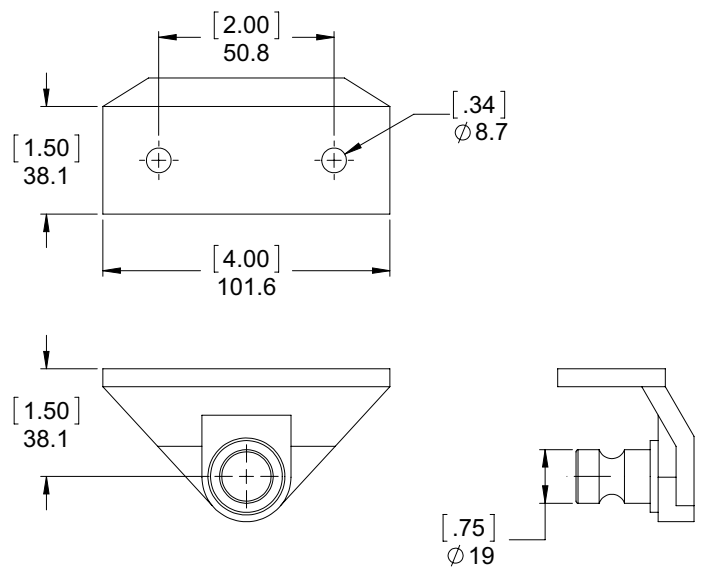
Round Tooling | Dimensions | Technical Specifications

AB Version



Model Number	ØD	Weight
CPI-AB-00-1E-24	1 in	142 g [5 oz.]
CPI-AB-25-410	25mm	142 g [5 oz.]

AB Apple Core Version

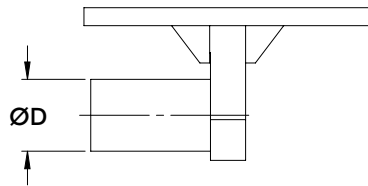
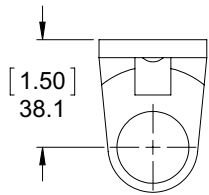
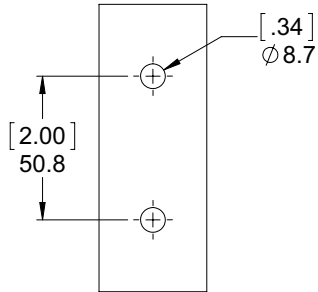


Model Number	Weight
CPI-AB-750-24	142 g [5 oz.]
CPI-AB-19-410	142 g [5 oz.]

NEST PAD BRACKETS

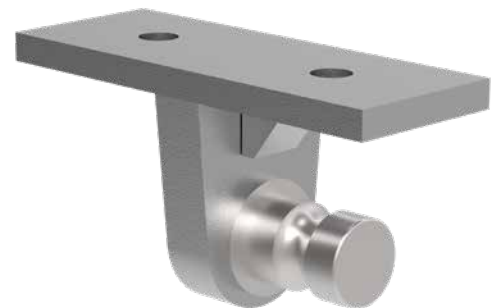
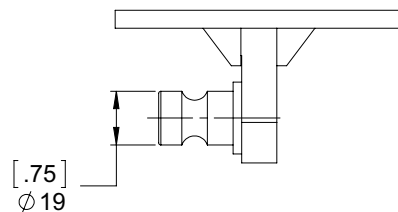
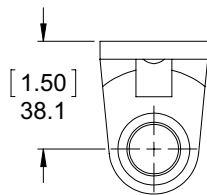
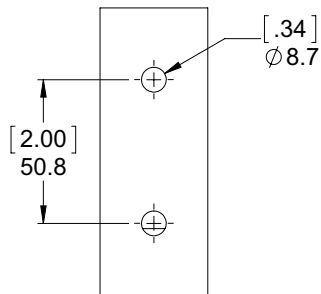
Round Tooling | Dimensions | Technical Specifications

AB 90° Version



Model Number	ØD	Weight
CPI-AB-90-1E-24	1 in	142 g [5 oz.]
CPI-AB-90-25-410	25mm	142 g [5 oz.]

AB Apple Core 90° Version

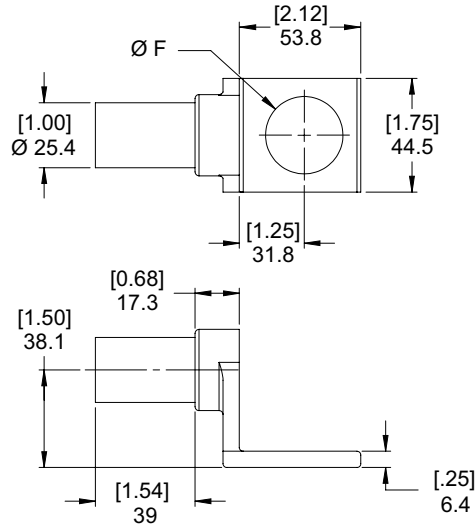
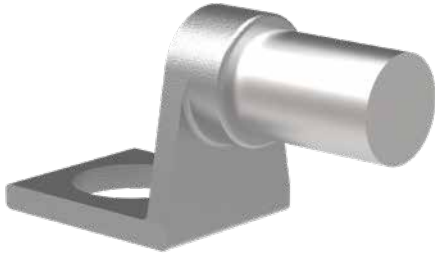


Model Number	Weight
CPI-AB-90-24	142 g [5 oz.]
CPI-AB-90-19-410	142 g [5 oz.]

PROXIMITY SWITCH MOUNT

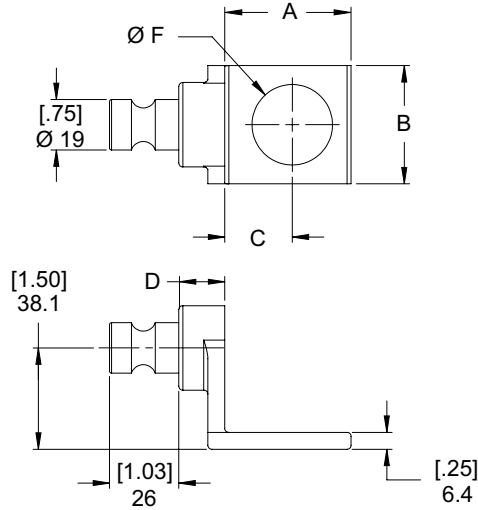
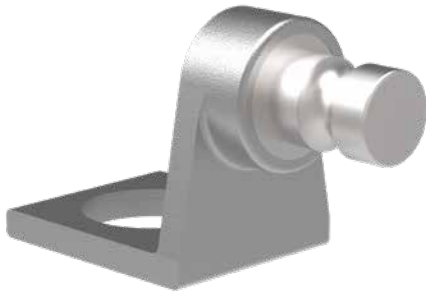
Round Tooling | Dimensions | Technical Specifications

SAP Series with 1" Extension



Model Number	(Ø)"F"	Weight
CPI-SAP-18-1E	[0.71] 18	[0.2 lb] 91 g
CPI-SAP-30-1E	[1.18] 30	[0.2 lb] 91 g

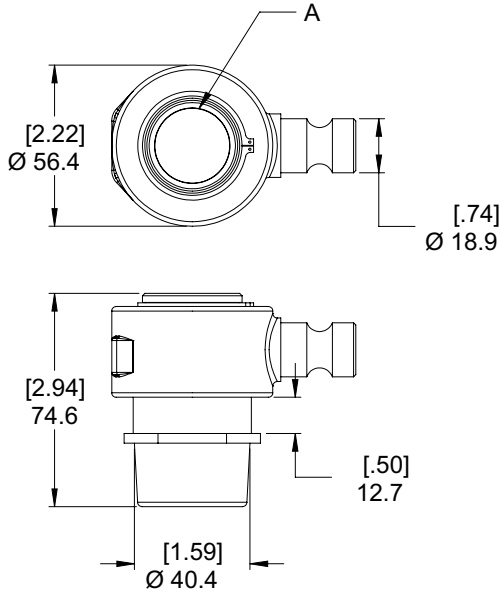
SAP Series with Apple Core



Model Number	A	B	C	D	(Ø)"F"	Weight
CPI-SAP-00					NA	[0.3 lb] 136 g
CPI-SAP-10					[0.39] 10	[0.2 lb] 91 g
CPI-SAP-18	[1.88] 47.5	[1.75] 44.5	[1.00] 25.4		[0.71] 18	[0.2 lb] 91 g
CPI-SAP-30				[0.68] 17.3	[1.18] 30	[0.2 lb] 91 g
CPI-SAP-36					[1.42] 36	[0.2 lb] 91 g
CPI-SAP-42	[2.74] 69.6	[2.38] 60.4	[1.55] 39.4		[1.65] 42	[0.3 lb] 136 g
CPI-SAP-47					[1.85] 47	[0.3 lb] 136 g
CPI-SAP-54	[2.90] 73.7	[2.68] 68.1	[1.56] 39.62	[0.50] 12.7	[2.13] 54	[0.3 lb] 136 g

PROXIMITY SWITCH BUMPER

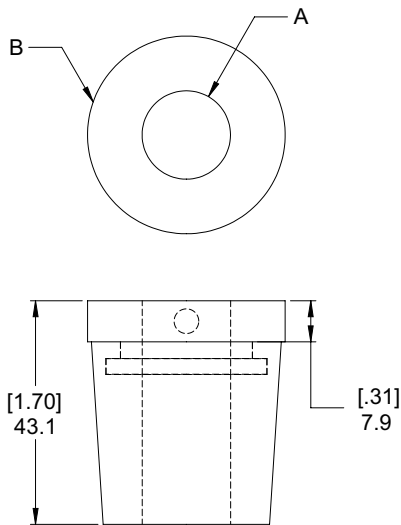
Round Tooling | Dimensions | Technical Specifications



PSM Spring Loaded Bumper



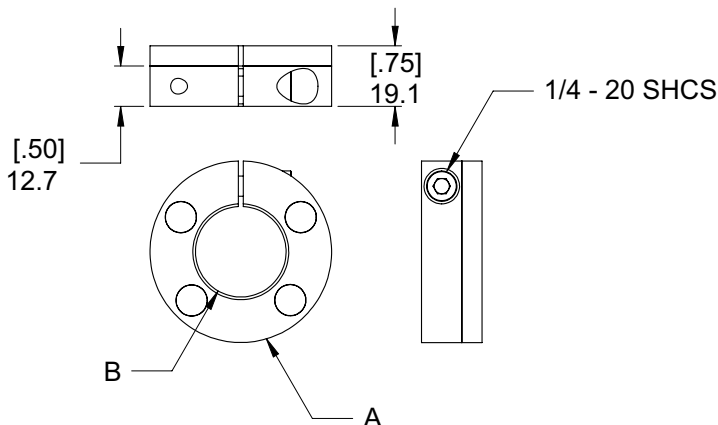
Model Number	(Ø)"A"	Weight
CPI-PSM-18-75	[18] 0.71"	[7 oz.] 198 g
CPI-PSM-30-75	[30] 1.18"	[7 oz.] 198 g



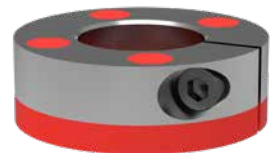
PB Friction Style Bumper



Model Number	(Ø)"A"	(Ø)"B"	Weight
CPI-PB-18-I	[18] 0.71	[38.1] 1.50	[2 oz.] 57 g
CPI-PB-30-I	[30] 1.18	[50.8] 2.00	[3 oz.] 85 g



PB Locking Collar Style Bumper

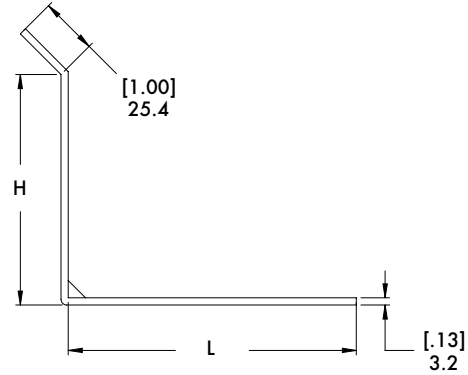
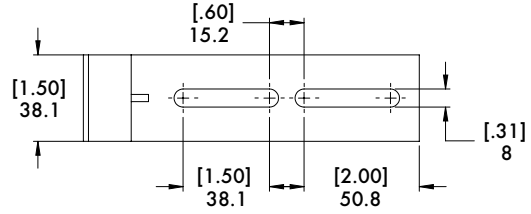


Model Number	(Ø)"A"	(Ø)"B"	Weight
CPI-PB-30M	[57.2] 2.25	[30] 1.18	[3 oz.] 85 g
CPI-PB-36M	[63.5] 2.50	[36] 1.42	[3 oz.] 85 g
CPI-PB-42M	[69.9] 2.75	[42] 1.65	[4 oz.] 113 g
CPI-PB-47M	[76.2] 3.00	[47] 1.85	[5 oz.] 141 g
CPI-PB-54M	[85.9] 3.38	[54] 2.13	[5 oz.] 141 g

NEST PAD GUIDES

Round Tooling | Dimensions | How To Order

Single

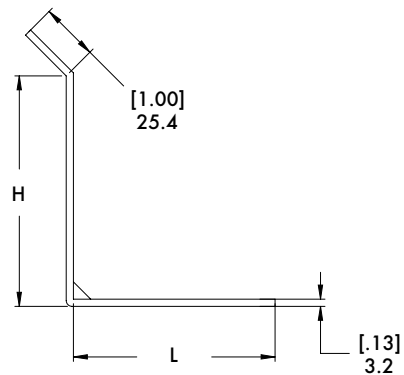
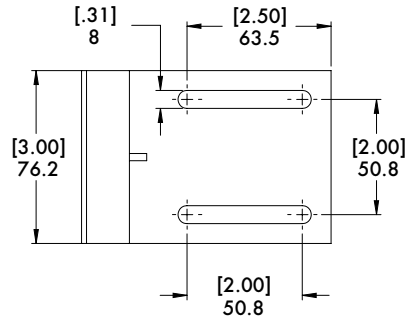


CPI - **NPG** - **24E** -  - 

Base Model
NPG
Steel Nest
Pad Guides
Single

Length		Height	
05	5.00"	04	4.00"
06	6.00"	06	6.00"
07	7.00"	08	8.00"
08	8.00"		

Wide



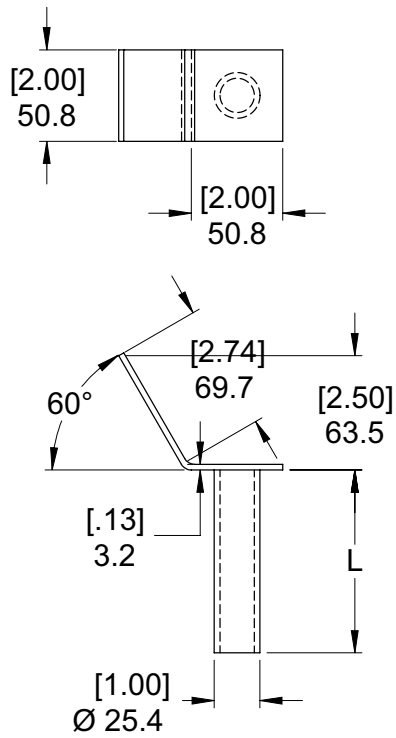
CPI - **NPG** - **24S** -  - 

Base Model
NPG
Steel Nest
Pad Guides
Wide

Length		Height	
3.5	3.50"	04	4.00"
4.5	4.50"	06	6.00"
5.5	5.50"	08	8.00"
6.5	6.50"		

NEST PAD GUIDES

Round Tooling | Dimensions | How To Order



CPI - NPG - 10 - 

Base Model
NPG
Steel Nest
Pad Guides

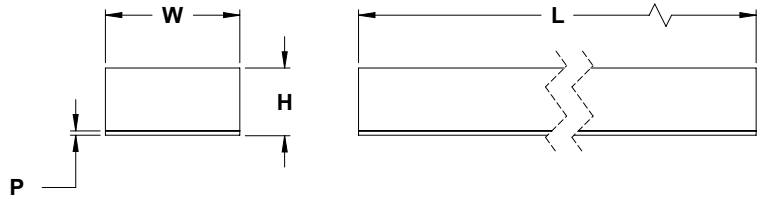
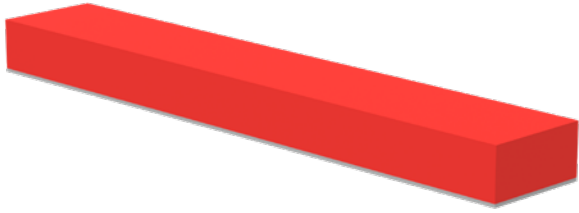
Length

04	4.00"
06	6.00"
08	8.00"
10	10.00"
12	12.00"
14	14.00"

NEST PAD BLOCKS

Round Tooling | Dimensions | Technical Specifications

Bar Stock Urethane

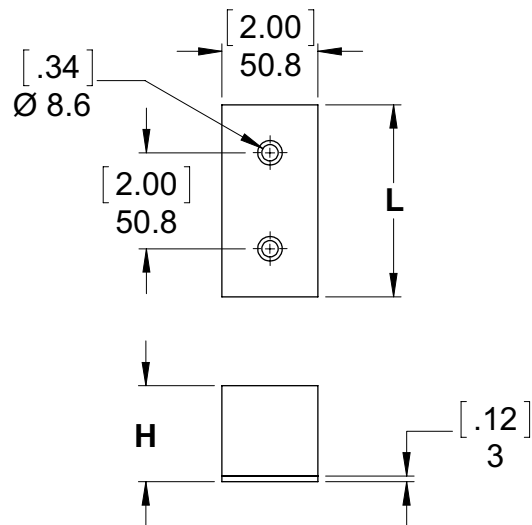
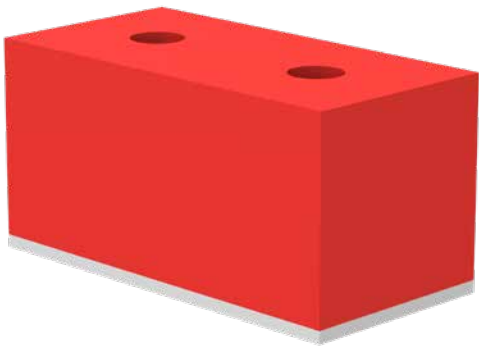


CPI - **BS** - [] - [] - [] - **24** • Length **L 24** 24.00" 609.6 mm

Base Model BS	Overall Height H	Backing Plate Height P	Width W
Bar Stock 85 Durometer (Shore A) Urethane	1 1.00" 25.4 mm	1/8 0.13" 3.2 mm	1 1.00" 25.4 mm
	2 2.00" 50.8 mm	1/4 0.25" 6.4 mm	2 2.00" 50.8 mm
	3 3.00" 76.2 mm	3/8 0.38" 9.6 mm	3 3.00" 76.2 mm
	4 4.00" 101.6 mm	1/2 0.50" 12.7 mm	4 4.00" 101.6 mm
	5 5.00" 127 mm	1* 1.00" 25.4 mm	
	6 6.00" 152.4 mm		

*Not available for 1" Overall Height.

Urethane Pads



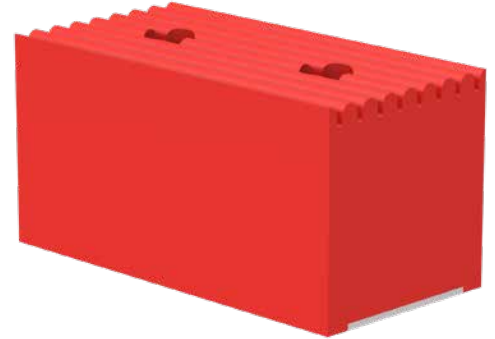
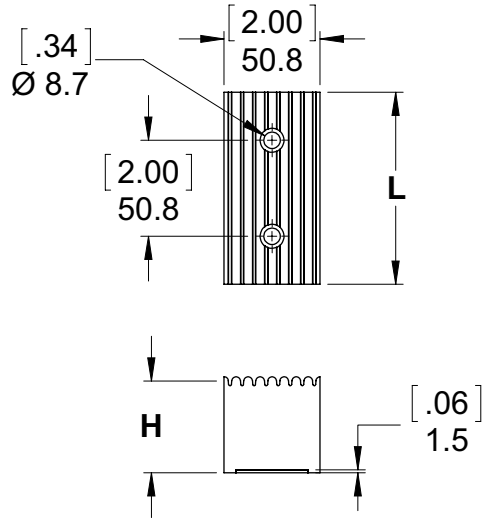
85 Durometer (Shore A) Urethane

Model	"H"	"L"	Weight
CPI-UT-1-4-85	1.00"(in)	4.00"(in)	9oz. [255g]
CPI-UT-2-4-85	2.00"(in)	4.00"(in)	14oz. [397g]
CPI-UT-2-6-85	2.00"(in)	6.00"(in)	19oz. [539g]

NEST PAD BLOCKS

Round Tooling | Dimensions | Technical Specifications

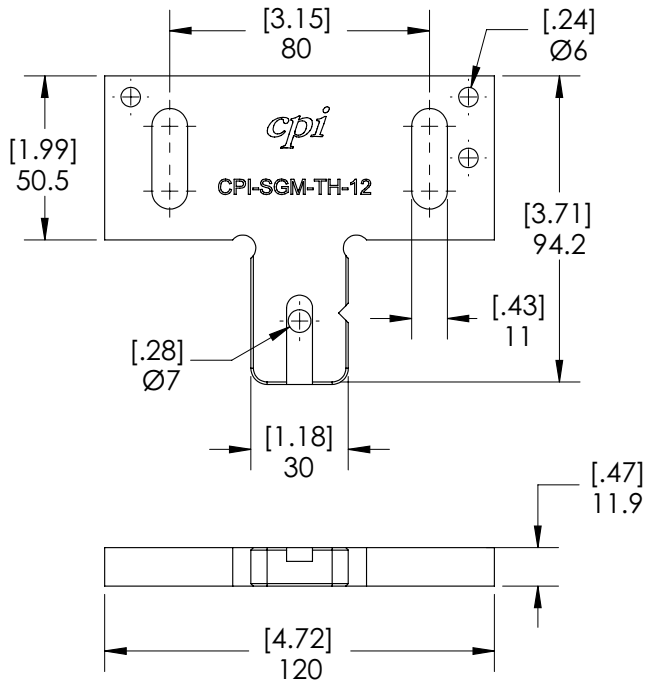
Ribbed Pads Neoprene



Base Model RT	Overall Height H		Length L			Durometer (Shore A)	
Ribbed Pads Neoprene	1/2	0.50" 12.7 mm	4	4.00" 101.6 mm	15	Tan	
	1	1.00" 25.4 mm	6	6.00" 152.4 mm	30	Teal	
	2	2.00" 50.8 mm	8	8.00" 203.2 mm	45	Red	
	3	3.00" 76.2 mm	12	12.00" 304.8 mm	60	Black	
	4	4.00" 101.6 mm					

PLASTICS - BLUE SLICE

Round Tooling | Dimensions | Technical Specifications



Model Number	Material	Weight
CPI-SGM-TH-12	Steel	604g [1.33 lb]



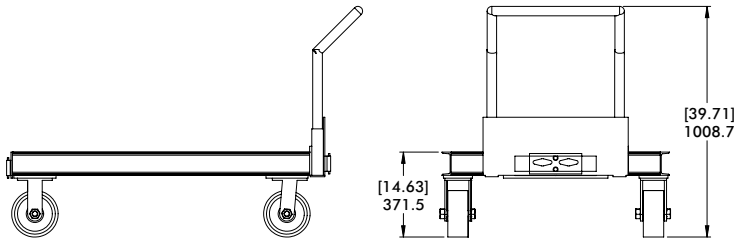
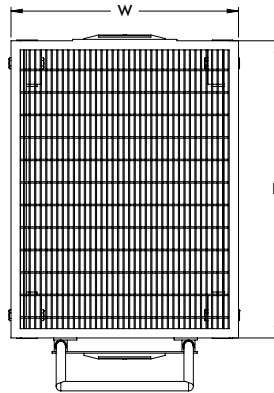
Name: Blue Slice Nest Tooling
Material: Blue Nylon, 1" (25.4mm) thickness
Benefits: Lightweight, durable, machinable material
Process: Machined from 3D CAD



TOOL STORAGE

Round Tooling | Dimensions | How To Order

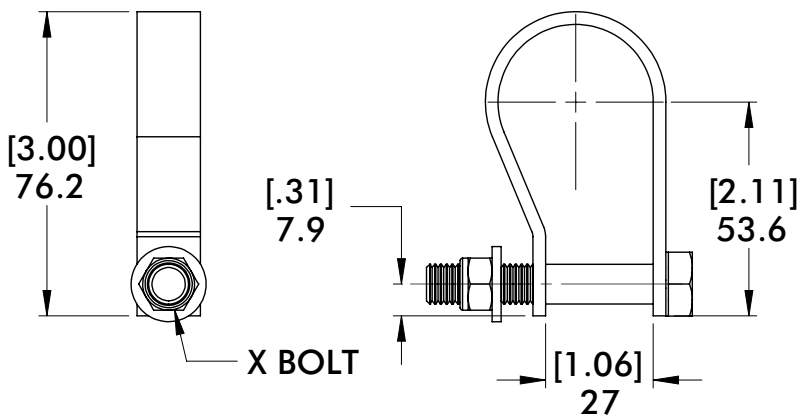
Tool Storage Cart



CPI - **TC** - **DP** - **FP**

Base Model	Width	Length
TC	36 36.00" 0.9 m	48 48.00" 1.2 m
Tool Storage Carts	48 48.00" 1.2 m	60 60.00" 1.5 m
		72 72.00" 1.8 m
		84 84.00" 2.1 m
		96 96.00" 2.4 m

Tool Hanger



Material: Steel

Model Number	Weight
CPI-THR-516	91g [0.20 lb]

TOOL STORAGE

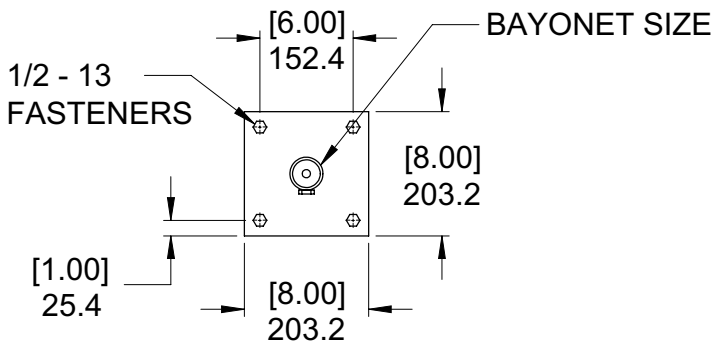
Round Tooling | Dimensions | How To Order

Tool Holder Strap

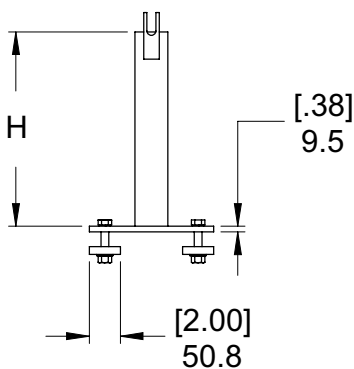


Model Number	Weight
CPI-SGM-TH-CABLE-08	68g [0.15 lb]

Tool Storage Can



Material: Steel



CPI - **TH** - **BF**

Base Model	Bayonet Size	Height
TH Tool Holder	150 1.5" 40 mm	6.5 6.5" 165 mm
	250 2.5" 60 mm	12.5 12.5" 318 mm
		18.5 18.5" 470 mm

